

Key Features

Compact recessed marking luminaires ideal for handrails, stairs and walls for low ambient brightness.

Their innovative lighting technology combines the highest precision and efficiency in a modern style luminaire.

Architectural wall recessed die-cast aluminium LED recessed range inspires architects, designers and system integrators with its exceptional quality, homogeneous beam and remarkable creativity.

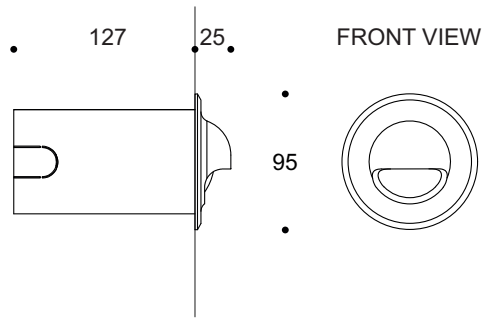
Designed to last in extremely harsh environments.



Key Data

LED Type	High efficiency LEDs, available in 2700K, 3000K, 4000K, 5000K, 6500K CCT tolerance within a 3-step MacAdams ellipse and LM80 compliant. Custom LED color combinations available.
Nominal Voltage	24V DC
Color Rendering Index	CRI ≥ 80 standard and CRI ≥ 90 on request.
Optics	Glare-free directed downwards illumination fixed 15° from inside the luminaire.
Materials	Corrosion resistant die cast aluminium with natural brass frame and temperature-resistant silicone gaskets.
Optional Coating	Marine grade.
Diffuser	Thermal-shock resistant safety glass with light directing to the surface.
LED Life Time	L90 - B10 > 100,000h
Operating Temperature	-40°C / +55°C
Power Factor	>0.95
Control Systems	On - Off, DALI (External).
Protection Class	IP65
Impact Resistance	IK09
Insulation Class	Class I
Conformity	Complies with European Standards EN 60598 and CE certified.

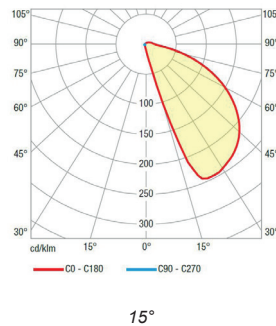
Technical Drawing



Information

CODE	POWER CONSUMPTION	LUMEN OUTPUT (lm) 3000K / 4000K	COLOUR TEMPERATURE
WA683201	3W	225 / 255	3000K / 4000K

Light Distribution Curve



Accessories



**IP68 Plug Power
Connector Set**
Code: CON1201