



Key Features

iDisc stands as the perfect solution for creating 360° light blades with optical lenses.

Offers several application possibilities, directing the beam in different inclinations and axes, allowing the fixture to adapt very well to the architectural scene.

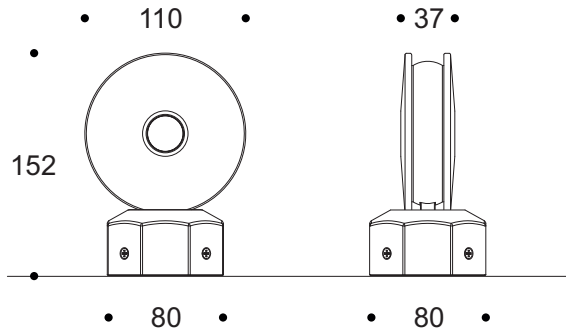
Designed to last in extremely harsh environments.



Key Data

LED Type	High efficiency LEDs, available in 2700K, 3000K, 4000K, 5000K, 6500K CCT tolerance within a 3-step MacAdams ellipse and LM80 compliant. Custom LED color combinations available.
Nominal Voltage	220V-240V AC, 50/60Hz
Color Rendering Index	CRI ≥ 80 standard and CRI ≥ 90 on request.
Optics	360°
Materials	Aluminum body, silicone gasket, narrow angle circular lens.
Optional Coating	Marine grade.
LED Life Time	L90 - B10 > 100,000h
Operating Temperature	-40°C / +55°C
Power Factor	>0.95
Control Systems	On - Off.
Protection Class	IP66
Impact Resistance	IK08
Insulation Class	Class I
Conformity	Complies with European Standards EN 60598 and CE certified.

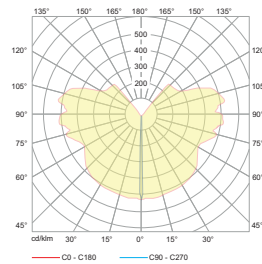
Technical Drawing



Information

CODE	POWER CONSUMPTION	LUMEN OUTPUT (lm) 3000K / 4000K	COLOUR TEMPERATURE
WA4670	4W	440 / 480	3000K / 4000K

Light Distribution Curve



360°