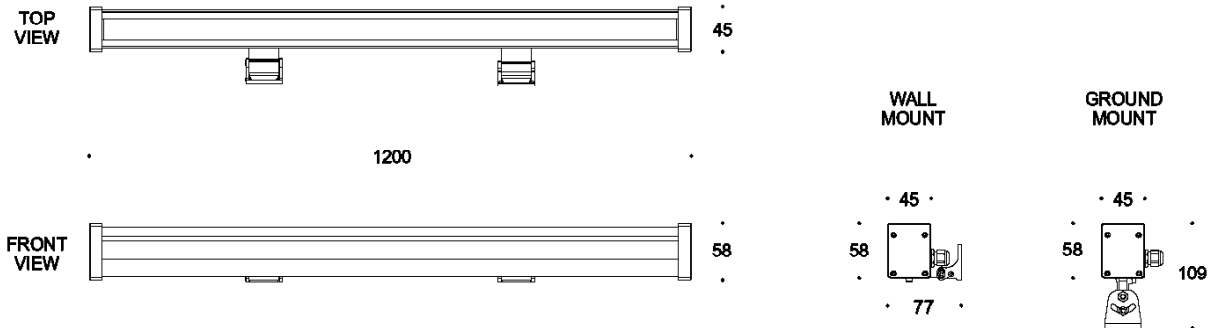




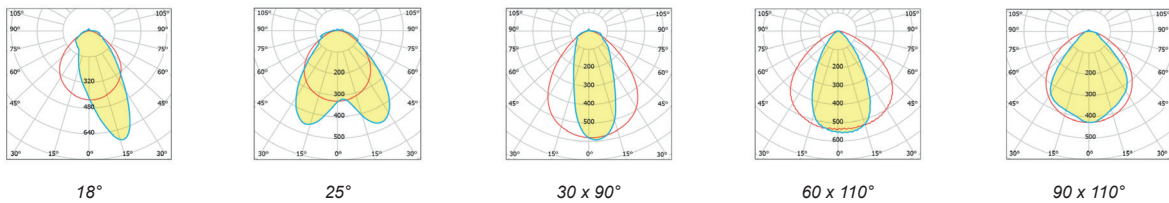
Technical Drawing



Information

CODE	LENGTH (mm)	LED QTY	POWER CONSUMPTION	LUMEN OUTPUT (lm) RGB
AR9344603 RGB	1200	144	70W	2863

Light Distribution Curve



Accessories



**Wall Mounting Bracket**  
Code: WB1001



**Ground Mounting Bracket**  
Code: GB1001



**IP68 Plug Power Connector Set (Two pieces)**  
Code: CON1202



**T-Connector**  
Code: TC4001