



Key Features

iLinus is a high-performance linear luminaire suitable for a wide range of wall washing, accent, surface grazing, and indirect lighting applications in architectural, hospitality, and retail environments. It has multiple customization options to illuminate interior walls, exterior facades, and unique architectural details.

Designed to last in extremely harsh environments.

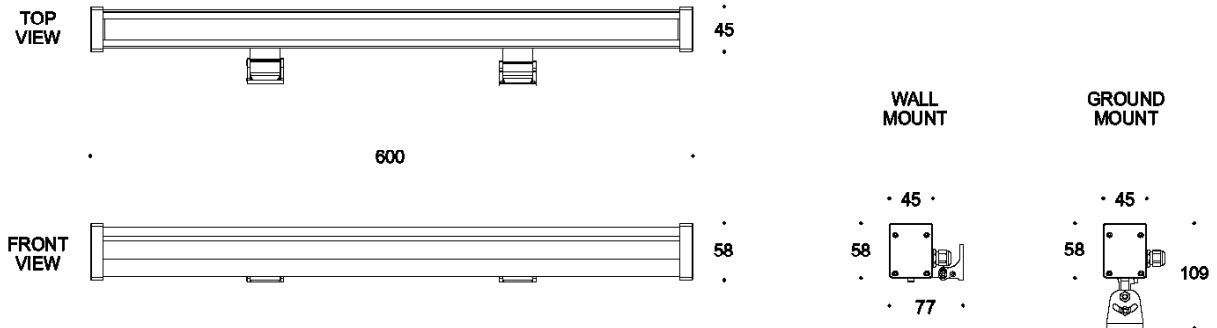
Monochrome or DALI controllable, easy to install with the remote universal power supply and connect via combined power and data connectors.



Key Data

LED Type	High efficiency LEDs, Monochrome available in 2700K, 3000K, 4000K, 5000K, 6500K CCT tolerance within a 3-step MacAdams ellipse and LM80 compliant.
Nominal Voltage	198-264 V AC, 50/60Hz
Optional Voltage	24V DC / PS (Constant Voltage)
Color Rendering Index	CRI ≥ 80 standard and CRI ≥ 90 on request.
Optics	Standard: 18° / 25° / 30°x90° / 60°x110° / 90°x110°. Custom optics upon request.
Materials	Corrosion resistant extruded anodized aluminium housing (EN AW-6060) with stainless steel screws (A4 grade) and silicone rubber gaskets. End to end connection via power connectors. Includes wall or ground mounting brackets. Power unit is built in.
Diffuser	Thermal-shock resistant 5mm tempered glass.
LED Life Time	L80 B10 70.000h Ta 25°C L80 B10 50.000h Ta 40°C
Operating Temperature	-40°C / +55°C
Power Factor	>0.95
Control Systems	1-10V DIM, DALI Interface.
Protection Class	IP66
Impact Resistance	IK09
Insulation Class	Class I
Conformity	Complies with European Standards EN 60598 and CE certified.

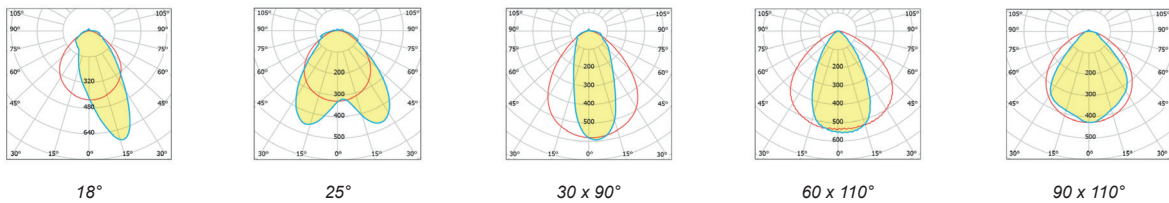
Technical Drawing



Information

CODE	LENGTH (mm)	LED QTY	POWER CONSUMPTION	LUMEN OUTPUT (lm) 3000K / 4000K
AR9344501 MONO	600	64	22W	3295 / 3498

Light Distribution Curve



Accessories



Wall Mounting Bracket
Code: WB1001



Ground Mounting Bracket
Code: GB1001



IP68 Plug Power Connector Set
Code: CON1201



T-Connector
Code: TC4001