



Key Features

Dot PD60 pixel fixture with direct view or diffused type provides special video effects with maximum brightness. Enables an endless layout of patterns, graphics display and offers customizable solutions pixel mapping with DMX 512 and RDM protocol.

Number of pixels may change in order to optimize for appearances and scenarios. Working status of fixtures, local temperature values, voltage input & output, serial number and DMX address is monitored. User is informed by mail and system responses automatically according to the data.

Perfect viewing without pixel gap or shade in the connection points.

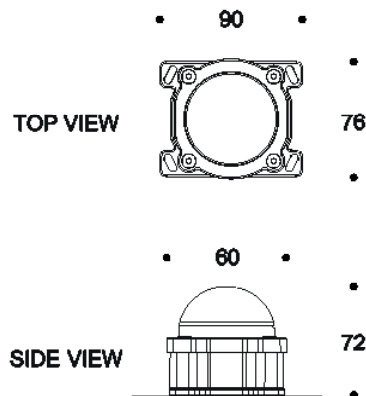
Designed to last in extremely harsh environments.



Key Data

LED Type	18 x High efficiency 3 in 1 Chip RGB LEDs, 3-step MacAdams ellipse and LM80 compliant.
Nominal Voltage	12VDC ~ 48VDC
Maximum in Chain	32 Pcs
Color Range	16.7 Million additive RGB colors
Color Resolution	3x14-bit (Gamma correction)
Color Rendering Index	CRI ≥ 80 standard and CRI ≥ 90 on request.
Addressing	RDM (Group of Remote Addressable Systems)
Monitoring	Voltage Monitoring, Temperature Monitoring, Status Monitoring, Power Cycle Monitoring, Lumen-Maintenance Life Monitoring.
Control Interface	DMX: USITT DMX 512 A / RDM: ANSI/ESTA E1.20-2010
Light Distribution	170°
Materials	Corrosion resistant double layer polyester powder coated paint finish die cast aluminium housing with stainless steel screws and silicone gaskets. Operates with a remote driver.
Diffuser	High impact and heat resistant polycarbonate with UV protection.
Accessories	Push Lock Type 2+4 Pin Waterproof Connector.
LED Life Time	L90 - B10 > 100,000h
Operating Temperature	-40°C / +55°C
Power Factor	>0.95
Protection Class	IP67
Impact Resistance	IK09
Insulation Class	Class II
Conformity	Complies with European Standards EN 60598 and CE certified.

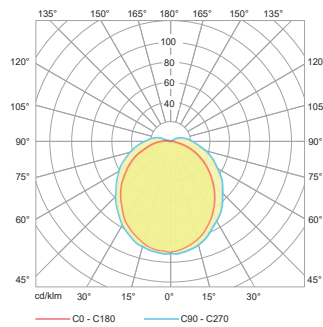
Technical Drawing



Information

PRODUCT	POWER CONSUMPTION	LUMEN OUTPUT (lm) RGB	COLOUR TEMPERATURE
AR116613 DOME	5W Full On	200	RGB

Light Distribution Curve



170°