



## Key Features

iFlash Handrail creates welcoming atmosphere and enhance safety with the original slim spotlight. The system includes durable and long-lasting LED lighting in a railing.

The pre-wired spotlights fit perfectly into the handrail using the unique BSRAIL® technology.

The components are designed and engineered for quick, easy installation and maintenance.

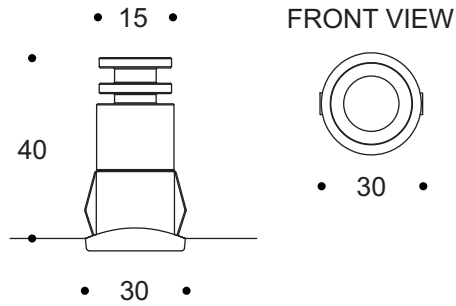
Designed to last in extremely harsh environments.



## Key Data

<b>LED Type</b>	High efficiency LEDs, available in 2700K, 3000K, 4000K, 5000K, 6500K CCT tolerance within a 3-step MacAdams ellipse and LM80 compliant.
<b>Nominal Voltage</b>	24V DC
<b>Color Rendering Index</b>	CRI ≥ 80 standard and CRI ≥ 90 on request.
<b>Light Distribution</b>	60°
<b>Materials</b>	Corrosion resistant stainless steel housing with stainless steel screws (A4 grade) and temperature-resistant silicone gaskets.
<b>Optional Coating</b>	Marine grade.
<b>Diffuser</b>	Shockproof PMMA UV Stabilised Diffuser.
<b>LED Life Time</b>	L90 - B10 > 100,000h
<b>Operating Temperature</b>	-40°C / +55°C
<b>Power Factor</b>	>0.95
<b>Control Systems</b>	On-Off, 1-10V DIM, DALI Interface (External).
<b>Protection Class</b>	IP67
<b>Impact Resistance</b>	IK08
<b>Insulation Class</b>	Class I
<b>Conformity</b>	Complies with European Standards EN 60598 and CE certified.

Technical Drawing



Information

PRODUCT	POWER CONSUMPTION	LUMEN OUTPUT (lm) 3000K / 4000K	COLOUR TEMPERATURE
AC732001	2W	190 / 216	3000K / 4000K

Light Distribution Curve

