



Key Features

iRina is a steplight perfect for functional outdoor lighting; it has been specially developed to combine the possibility of creating light paths that improve orientation with extremely discreet and comfortable lighting.

Architectural wall lighting range inspires architects, designers and system integrators with its exceptional quality, soft beam and remarkable creativity.

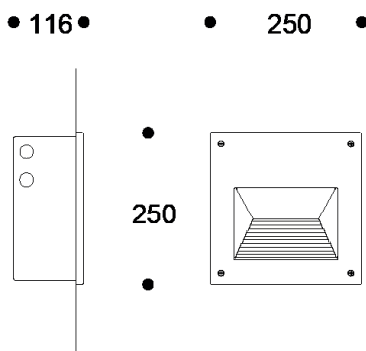
Designed to last in extremely harsh environments.



Key Data

| | |
|------------------------------|---|
| LED Type | High efficiency LEDs, available in 2700K, 3000K, 4000K, 5000K, 6500K CCT tolerance within a 3-step MacAdams ellipse and LM80 compliant. Custom LED color combinations available. |
| Nominal Voltage | 220V-240V AC, 50/60Hz |
| Color Rendering Index | CRI ≥ 80 standard and CRI ≥ 90 on request. |
| Optics | Directed downwards light. |
| Materials | Corrosion resistant double layer polyester coated paint finish die cast aluminium housing with stainless steel screws (A4 grade) and silicone gaskets. Power unit is built in. Available in anthracite gray as a standard finish or any desired RAL colour. Includes recessing box. |
| Optional Coating | Marine grade. |
| Diffuser | Thermal-shock resistant tempered glass. |
| LED Life Time | L90 - B10 > 100,000h |
| Operating Temperature | -40°C / +55°C |
| Power Factor | >0.95 |
| Control Systems | On - Off, DALI (External). |
| Protection Class | IP65 |
| Impact Resistance | IK09 |
| Insulation Class | Class I |
| Conformity | Complies with European Standards EN 60598 and CE certified. |

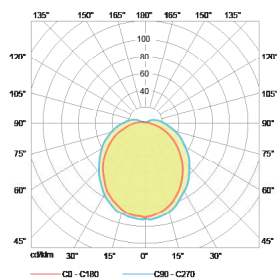
Technical Drawing



Information

| CODE | POWER CONSUMPTION | LUMEN OUTPUT (lm) 3000K / 4000K | COLOUR TEMPERATURE |
|--------|-------------------|------------------------------------|--------------------|
| AC5016 | 12W | 900 / 1020 | 3000K / 4000K |

Light Distribution Curve



Rotational Beam

Accessories



**IP68 Plug Power
Connector Set**
Code: CON1201