



Key Features

iRuta R Wood bollard is a beautiful addition to urban landscapes and traditional and contemporary architecture, enhancing but not altering the composition.

The luminaire with advanced LED optical design provides directional illumination and excellent visibility to extend the safe use of outdoor spaces.

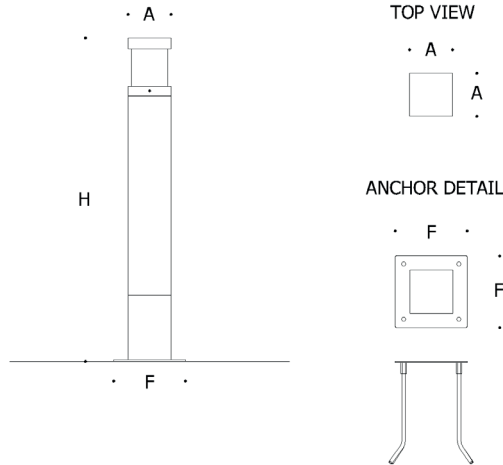
Designed to last in extremely harsh environments.



Key Data

LED Type	High efficiency LEDs, available in 2700K, 3000K, 4000K, 5000K, 6500K CCT tolerance within a 3-step MacAdams ellipse and LM80 compliant.
Nominal Voltage	220V-240V AC, 50/60Hz
Color Rendering Index	CRI ≥ 80 standard and CRI ≥ 90 on request.
Light Distribution	Rotational light distribution.
Materials	Corrosion resistant double layer polyester powder coated paint finish die cast aluminium housing, aluminium extruded column (EN AW-6060) with stainless steel screws (A4 grade) and silicone gaskets. Power unit is built in. Available in anthracite gray as a standard finish or any desired RAL colour.
Optional Coating	Marine grade.
Diffuser	Shockproof PMMA UV Stabilised Diffuser.
LED Life Time	L90 - B10 > 100,000h
Operating Temperature	-40°C / +55°C
Power Factor	>0.95
Control Systems	On-Off, 1-10V DIM, DALI Interface.
Protection Class	IP65
Impact Resistance	IK10
Insulation Class	Class I
Conformity	Complies with European Standards EN 60598 and CE certified.

Technical Drawing



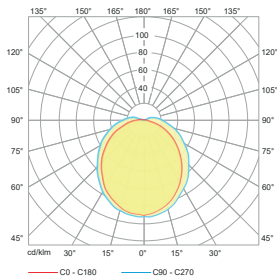
Information

iRuta R Wood					
Codes	Power	Colour Temperature	A (mm)	H (mm)	F (mm)
LB2832	24W	1800 / 2040 / 3000K / 4000K	120	900	200

*Anchorage set included.

*Flange cover to be ordered separately.

Light Distribution Curve



120°