



Key Features

Outdoor post-top luminaire for urban lighting with a conical shape that enhances urban areas with a pleasant effect, high-quality photometric performance avoiding light pollution.

With its aesthetic design, iMagna blends into all types of urban environments, such as squares and pedestrian areas, parking lots, cycle paths, bridges and urban roads.

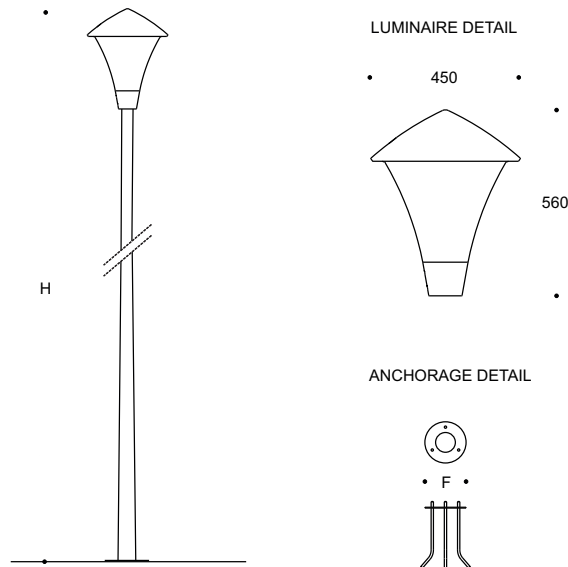
Designed to last in extremely harsh environments.



Key Data

LED Type	High efficiency LEDs, available in 2700K, 3000K, 4000K, 5000K, 6500K CCT tolerance within a 3-step MacAdams ellipse and LM80 compliant.
Nominal Voltage	220V-240V AC, 50/60Hz
Color Rendering Index	CRI ≥ 80 standard and CRI ≥ 90 on request.
Light Distribution	Symmetric, Asymmetric
Materials	Corrosion resistant double layer polyester powder coated paint finish die cast aluminium housing with stainless steel screws (A4 grade) and silicone gaskets. Power unit is built in. Available in anthracite gray as a standard finish or any desired RAL colour. BSISQ® LED Module.
Optional Coating	Marine grade.
Diffuser	UV resistant polycarbonat.
LED Life Time	L90 - B10 > 100,000h
Operating Temperature	-40°C / +55°C
Power Factor	>0.95
Control Systems	On-Off, 1-10V DIM, DALI Interface.
Protection Class	IP66
Impact Resistance	IK10
Insulation Class	Class I
Conformity	Complies with European Standards EN 60598 and CE certified.

Technical Drawing



Information

CODE	POWER CONSUMPTION	LUMEN OUTPUT (lm) 3000K / 4000K	COLOUR TEMPERATURE
UA53822	60W	8100 / 8520	3000K / 4000K

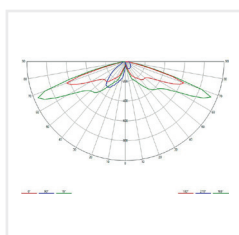
*Anchorage set included.

*Flange cover to be ordered separately.

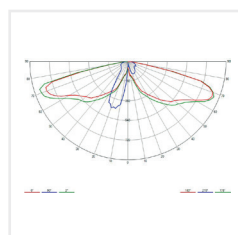
Poles

ALUMINIUM CONICAL POLE	HEIGHT (mm)	DIMENSIONS (mm)	F (mm)
	3000	Ø:60 - Ø:122	250
	4000	Ø:60 - Ø:122	250

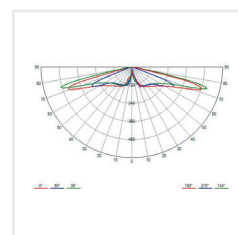
Light Distribution Curve



C1 - Asymmetric



C2 - Asymmetric



C3 - Symmetric