

## Key Features

iFly offers outstanding light efficiency with wide beam asymmetrical optics. The LED system offers durability and optimal light output.

The light emission is directed completely downwards to ensure powerful light distribution and the compact design and reduced size of the luminaire allow its addition with balance and discretion to any urban context, from big cities to small district towns.

BSISQ® LED Module integrated.

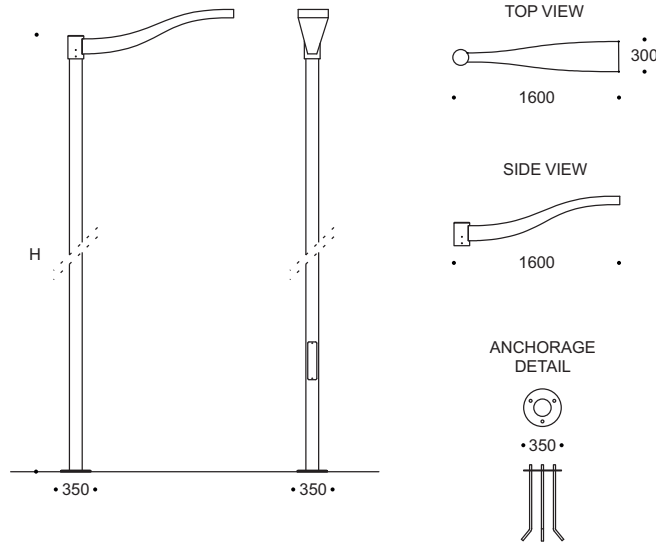
Designed to last in extremely harsh environments.



## Key Data

|                              |   |
|------------------------------|---|
| <b>LED Type</b>              | High efficiency LEDs, available in 2700K, 3000K, 4000K, 5000K, 6500K CCT tolerance within a 3-step MacAdams ellipse and LM80 compliant.   |
| <b>Nominal Voltage</b>       | 220V-240V AC, 50/60Hz   |
| <b>Color Rendering Index</b> | CRI ≥ 80 standard and CRI ≥ 90 on request.  |
| <b>Light Distribution</b>    | 60° / 90° / M3  |
| <b>Materials</b>             | Corrosion resistant double layer polyester powder coated paint finish die cast aluminium housing with stainless steel screws (A4 grade) and silicone gaskets. Power unit is built in. Available in anthracite gray as a standard finish or any desired RAL colour. BSISQ® LED Module. |
| <b>Optional Coating</b>      | Marine grade.   |
| <b>Diffuser</b>              | Thermal-shock resistant tempered glass.   |
| <b>LED Life Time</b>         | L90 - B10 > 100,000h  |
| <b>Operating Temperature</b> | -40°C / +55°C   |
| <b>Power Factor</b>          | >0.95   |
| <b>Control Systems</b>       | On-Off, 1-10V DIM, DALI Interface.  |
| <b>Protection Class</b>      | IP66  |
| <b>Impact Resistance</b>     | IK08  |
| <b>Insulation Class</b>      | Class I   |
| <b>Conformity</b>            | Complies with European Standards EN 60598 and CE certified.   |

Technical Drawing



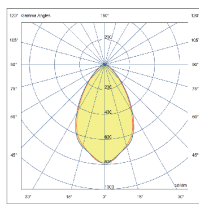
Information

| Code   | POWER CONSUMPTION | LUMEN OUTPUT (lm)<br>3000K / 4000K | COLOUR TEMPERATURE | H (mm)       |
|--------|-------------------|------------------------------------|--------------------|--------------|
| UA1516 | 123W              | 16605 / 17466                      | 3000K / 4000K      | 8000 - 10000 |

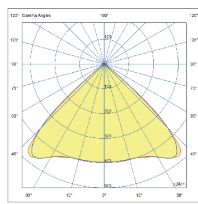
\*Anchorage set included.

\*Poles and flange cover to be ordered separately.

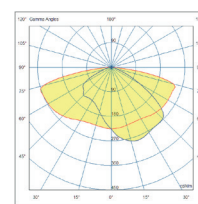
Light Distribution Curve



60°



90°



M3