



Key Features

iBrett is a range of urban lighting luminaires designed to provide excellent, environmentally friendly lighting without compromising on architectural appearance.

Elegant and comfortable solution for creating a warm ambiance.

It is equipped with powerful LEDs that enables exceptionally uniform light distribution and provides perfectly homogeneous lighting without shadows.

The luminaire has very balanced and elegant proportions and is available in two different heights.

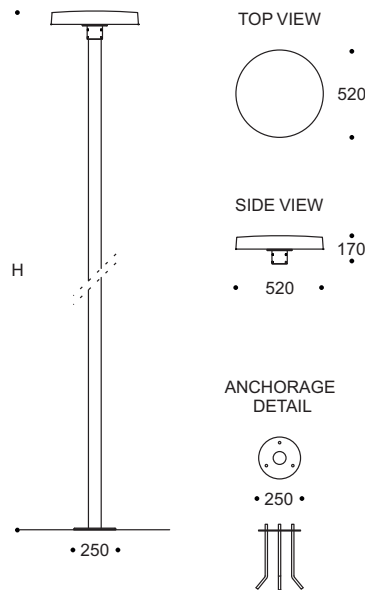
Designed to last in extremely harsh environments.



Key Data

LED Type	High efficiency LEDs, available in 2700K, 3000K, 4000K, 5000K, 6500K CCT tolerance within a 3-step MacAdams ellipse and LM80 compliant.
Nominal Voltage	220V-240V AC, 50/60Hz
Color Rendering Index	CRI ≥ 80 standard and CRI ≥ 90 on request.
Optics	Rotational light distribution.
Materials	Corrosion resistant double layer polyester powder coated paint finish die cast aluminium housing with stainless steel screws (A4 grade) and silicone gaskets. Power unit is built in. Available in anthracite gray as a standard finish or any desired RAL colour.
Optional Coating	Marine grade.
Diffuser	Shockproof PMMA UV Stabilised.
LED Life Time	L90 - B10 > 100,000h
Operating Temperature	-40°C / +55°C
Power Factor	>0.95
Control Systems	On - Off, 1-10V DIM, DALI Interface.
Protection Class	IP66
Impact Resistance	IK08
Insulation Class	Class I
Conformity	Complies with European Standards EN 60598 and CE certified.

Technical Drawing



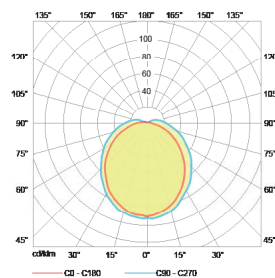
Information

CODE	POWER CONSUMPTION	LUMEN OUTPUT (lm) 3000K / 4000K	COLOUR TEMPERATURE	H (mm)
UA1412	36W	3960 / 4320	3000K / 4000K	3000 - 4000

*Anchorage set included.

*Poles and flange cover to be ordered separately.

Light Distribution Curve



Diffused Beam