



## Key Features

iBrezel is a range of urban lighting luminaires designed to provide excellent, environmentally friendly lighting without compromising on architectural appearance.

Lighting system for urban areas with asymmetrical and symmetrical optics with independent modules for excellent illuminance uniformity and optimum visual comfort.

The distinctive designs are clearly linked yet allow modularity.

BSIFIX® Modules integrated.

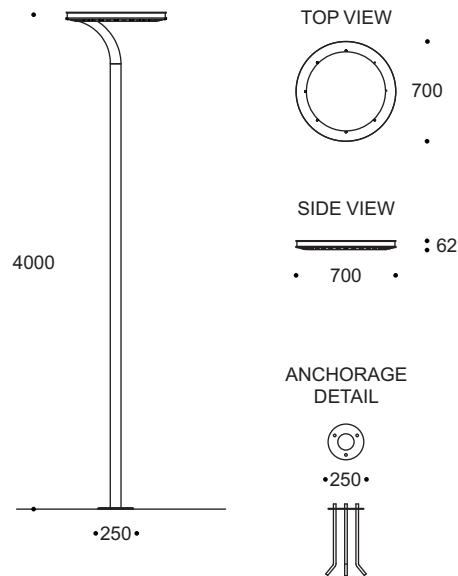
Designed to last in extremely harsh environments.



## Key Data

|                              |  |
|------------------------------|--|
| <b>LED Type</b>              | High efficiency LEDs, available in 2700K, 3000K, 4000K, 5000K, 6500K CCT tolerance within a 3-step MacAdams ellipse and LM80 compliant.  |
| <b>Nominal Voltage</b>       | 220V-240V AC, 50/60Hz  |
| <b>Color Rendering Index</b> | CRI ≥ 80 standard and CRI ≥ 90 on request.   |
| <b>Optics</b>                | 18° x 38°  |
| <b>Materials</b>             | Corrosion resistant double layer polyester powder coated paint finish die cast aluminium housing with stainless steel screws (A4 grade) and silicone gaskets. Power unit is built in. Available in anthracite gray as a standard finish or any desired RAL colour. BSIFIX® LED Module. |
| <b>Optional Coating</b>      | Marine grade.  |
| <b>Diffuser</b>              | High impact and heat resistant polycarbonate with UV protection.   |
| <b>LED Life Time</b>         | L90 - B10 > 100,000h   |
| <b>Operating Temperature</b> | -40°C / +55°C  |
| <b>Power Factor</b>          | >0.95  |
| <b>Control Systems</b>       | On - Off, 1-10V DIM, DALI Interface.   |
| <b>Protection Class</b>      | IP65   |
| <b>Impact Resistance</b>     | IK08   |
| <b>Insulation Class</b>      | Class I  |
| <b>Conformity</b>            | Complies with European Standards EN 60598 and CE certified.  |

Technical Drawing



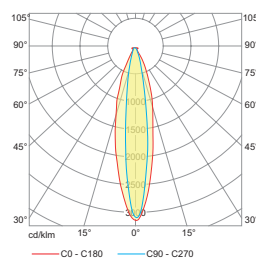
Information

| CODE   | POWER CONSUMPTION | LUMEN OUTPUT (lm)<br>3000K / 4000K | COLOUR TEMPERATURE |
|--------|-------------------|------------------------------------|--------------------|
| UA1402 | 54W               | 5940 / 6480                        | 3000K / 4000K      |

\*Anchorage set included.

\*Poles and flange cover to be ordered separately.

Light Distribution Curve



18° x 38°