



## Key Features

Constructed from high quality marine grade stainless steel iRuta C bollard is extremely durable. Innovative design to highlight urban areas, bound pedestrian zones, enhances the building architecture.

Ideal for creating visual guidance with exceptional visual comfort using LED technology.

Made of stainless steel 304L/316L for high stability.

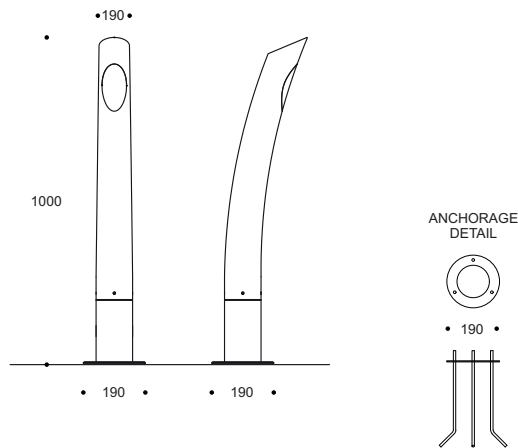
Designed to last in extremely harsh environments.



## Key Data

<b>LED Type</b>	High efficiency LEDs, available in 2700K, 3000K, 4000K, 5000K, 6500K CCT tolerance within a 3-step MacAdams ellipse and LM80 compliant.
<b>Nominal Voltage</b>	220V-240V AC, 50/60Hz
<b>Color Rendering Index</b>	CRI ≥ 80 standard and CRI ≥ 90 on request.
<b>Light Distribution</b>	120°
<b>Materials</b>	Corrosion resistant marine grade stainless steel AISI 304 housing with stainless steel screws (A4 grade) and silicone gaskets. Cup head screw M4x16 Inox. Self forming screw M4x6 Inox A2 DIN 7500. Slash cut head screw UNI 5933 M4x10 stainless steel. Power unit is built in. Powder coated epoxy paint finish.
<b>Optional Coating</b>	Marine grade.
<b>Diffuser</b>	Shockproof PMMA UV Stabilised Diffuser.
<b>LED Life Time</b>	L90 - B10 > 100,000h
<b>Operating Temperature</b>	-40°C / +55°C
<b>Power Factor</b>	>0.95
<b>Control Systems</b>	On-Off, 1-10V DIM, DALI Interface.
<b>Protection Class</b>	IP66
<b>Impact Resistance</b>	IK08
<b>Insulation Class</b>	Class I
<b>Conformity</b>	Complies with European Standards EN 60598 and CE certified.

Technical Drawing



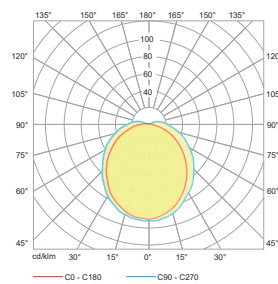
Information

CODE	POWER CONSUMPTION	LUMEN OUTPUT (lm) 3000K / 4000K	COLOUR TEMPERATURE
LB8803 SS	10W	750 / 850	3000K / 4000K

\*Anchorage set included.

\*Flange cover to be ordered separately.

Light Distribution Curve



Diffused Beam

Accessories



Fuse Box Thin  
Code: FB1001



Fuse Box Large  
Code: FB1002