



Key Features

iRuta R SQ bollard is a beautiful addition to urban landscapes and traditional and contemporary architecture, enhancing but not altering the composition.

The luminaire with advanced LED optical design provides directional illumination and excellent visibility to extend the safe use of outdoor spaces.

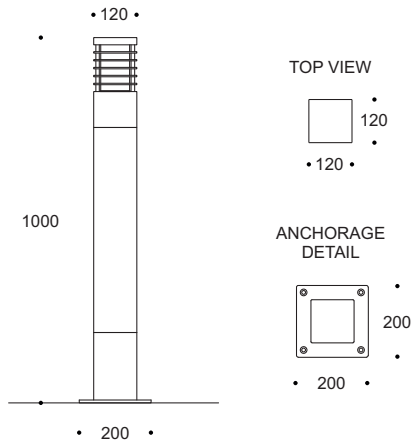
Designed to last in extremely harsh environments.



Key Data

| | |
|------------------------------|--|
| LED Type | High efficiency LEDs, available in 2700K, 3000K, 4000K, 5000K, 6500K CCT tolerance within a 3-step MacAdams ellipse and LM80 compliant. |
| Nominal Voltage | 220V-240V AC, 50/60Hz |
| Color Rendering Index | CRI ≥ 80 standard and CRI ≥ 90 on request. |
| Light Distribution | Rotational light distribution. |
| Materials | Corrosion resistant double layer polyester powder coated paint finish die cast aluminium housing, aluminium extruded column (EN AW-6060) with stainless steel screws (A4 grade) and silicone gaskets. Power units built in. Available in anthracite gray as a standard finish or any desired RAL colour. |
| Optional Coating | Marine grade. |
| Diffuser | Shockproof PMMA UV Stabilised Diffuser. |
| LED Life Time | L90 - B10 > 100,000h |
| Operating Temperature | -40°C / +55°C |
| Power Factor | >0.95 |
| Control Systems | On-Off, 1-10V DIM, DALI Interface. |
| Protection Class | IP65 |
| Impact Resistance | IK08 |
| Insulation Class | Class I |
| Conformity | Complies with European Standards EN 60598 and CE certified. |

Technical Drawing



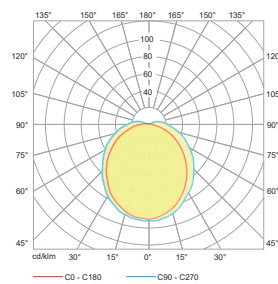
Information

| CODE | POWER CONSUMPTION | LUMEN OUTPUT (lm) 3000K / 4000K | COLOUR TEMPERATURE |
|--------|-------------------|------------------------------------|--------------------|
| LB2823 | 24W | 1800 / 2040 | 3000K / 4000K |

*Anchorage set included.

*Flange cover to be ordered separately.

Light Distribution Curve



Diffused Beam

Accessories



Fuse Box Thin
Code: FB1001



Fuse Box Large
Code: FB1002