



Key Features

LED lighting with innovative technology and modern design.

iZera offers outstanding light efficiency and integrates itself through the reduced design into historic and modern surroundings.

BSISQ® LED Module integrated.

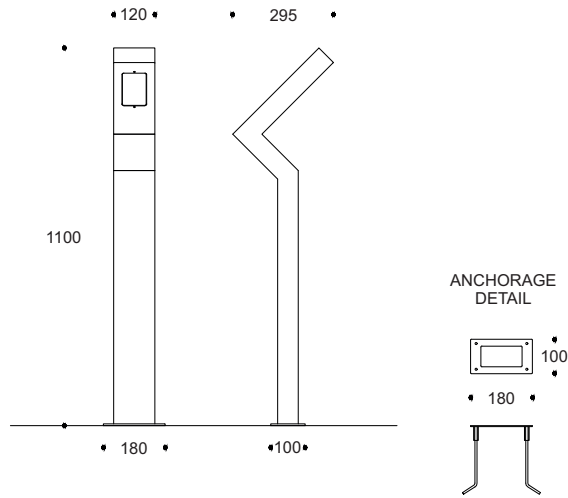
Designed to last in extremely harsh environments.



Key Data

LED Type	High efficiency LEDs, available in 2700K, 3000K, 4000K, 5000K, 6500K CCT tolerance within a 3-step MacAdams ellipse and LM80 compliant.
Nominal Voltage	220V-240V AC, 50/60Hz
Color Rendering Index	CRI ≥ 80 standard and CRI ≥ 90 on request.
Light Distribution	Diffused beam / M3
Materials	Corrosion resistant double layer polyester powder coated paint finish die cast aluminium housing aluminium extruded column (EN AW-6060) with stainless (A4 grade) steel screws and silicone gaskets. Power unit is built in. Available in anthracite gray as a standard finish or any desired RAL colour. BSISQ® LED Module.
Optional Coating	Marine grade.
Diffuser	Thermal-shock resistant tempered glass + Shockproof PMMA UV stabilised diffuser.
LED Life Time	L90 - B10 > 100,000h
Operating Temperature	-40°C / +55°C
Power Factor	>0.95
Control Systems	DALI Interface.
Protection Class	IP65
Impact Resistance	IK08
Insulation Class	Class I
Conformity	Complies with European Standards EN 60598 and CE certified.

Technical Drawing



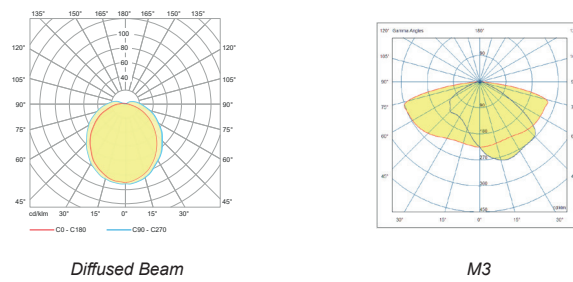
Information

CODE	POWER CONSUMPTION	LUMEN OUTPUT (lm) 3000K / 4000K	COLOUR TEMPERATURE
LB2772 (ONE SIDED)	18W	1980 / 2160	3000K / 4000K

*Anchorage set included.

*Flange cover to be ordered separately.

Light Distribution Curve



Accessories



Fuse Box Thin
Code: FB1001



Fuse Box Large
Code: FB1002