

Key Features

iLoft is a family of robust and high-quality construction light elements, designed on the basis of rectangular shapes.

Offers LED technology solutions for the lighting of pathways and urban areas.†

The innovative optical systems designed for the iLoft line guarantee visual comfort, safety and enhanced quality of space.

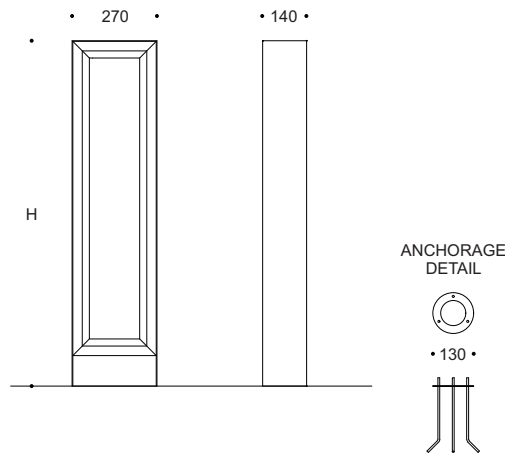
Designed to last in extremely harsh environments.



Key Data

LED Type	High efficiency LEDs, available in 2700K, 3000K, 4000K, 5000K, 6500K CCT tolerance within a 3-step MacAdams ellipse and LM80 compliant.
Nominal Voltage	220V-240V AC, 50/60Hz
Color Rendering Index	CRI ≥ 80 standard and CRI ≥ 90 on request.
Light Distribution	M3
Materials	Corrosion resistant double layer polyester powder coated paint finish die cast aluminium housing, aluminium extruded column (EN AW-6060) with stainless steel screws (A4 grade) and silicone gaskets. Power unit is built in. Available in light gray as a standard finish or any desired RAL colour.
Optional Coating	Marine grade.
Diffuser	Thermal-shock resistant tempered glass.
LED Life Time	L90 - B10 > 100,000h
Operating Temperature	-40°C / +55°C
Power Factor	>0.95
Control Systems	On-Off, 1-10V DIM, DALI Interface.
Protection Class	IP65
Impact Resistance	IK08
Insulation Class	Class I
Conformity	Complies with European Standards EN 60598 and CE certified.

Technical Drawing



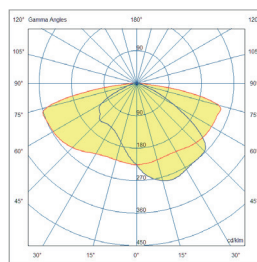
Information

CODE	POWER CONSUMPTION	LUMEN OUTPUT (lm) 3000K / 4000K	COLOUR TEMPERATURE	H (mm)
LB2424	6W	660 / 720	3000K / 4000K	800 - 1000

*Anchorage set included.

*Flange cover to be ordered separately.

Light Distribution Curve



M3

Accessories



Fuse Box Thin
Code: FB1001



Fuse Box Large
Code: FB1002