



Key Features

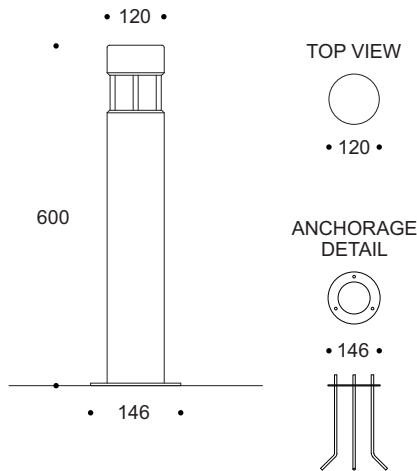
Innovative design to highlight urban areas, bound pedestrian zones, enhances the building architecture, highlights green spaces. Marine Grade bollard is designed to withstand the most challenging of conditions making it perfect for coastal areas. Designed to last in extremely harsh environments.



Key Data

LED Type	High efficiency LEDs, available in 2700K, 3000K, 4000K, 5000K, 6500K CCT tolerance within a 3-step MacAdams ellipse and LM80 compliant.
Nominal Voltage	220V-240V AC, 50/60Hz
Color Rendering Index	CRI ≥ 80 standard and CRI ≥ 90 on request.
Light Distribution	Rotational light distribution.
Materials	Corrosion resistant double layer polyester powder coated paint finish die cast aluminium housing (LB2063) with stainless steel screws (A4 grade) and silicone gaskets. Power unit is built in. Available in anthracite gray as a standard finish or any desired RAL colour.
Optional Coating	Marine grade.
Diffuser	Shockproof PMMA UV Stabilised Diffuser.
LED Life Time	L90 - B10 > 100,000h
Operating Temperature	-40°C / +55°C
Power Factor	>0.95
Control Systems	On-Off, 1-10V DIM, DALI Interface.
Protection Class	IP65
Impact Resistance	IK08
Insulation Class	Class I
Conformity	Complies with European Standards EN 60598 and CE certified.

Technical Drawing



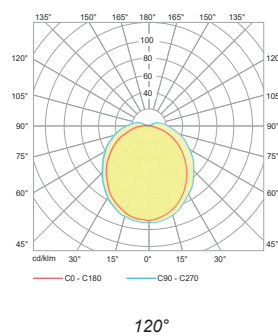
Information

CODE	POWER CONSUMPTION	LUMEN OUTPUT (lm) 3000K / 4000K	COLOUR TEMPERATURE
LB2064 AL	12W	900 / 1020	3000K / 4000K

*Anchorage set included.

*Flange cover to be ordered separately.

Light Distribution Curve



Accessories



Fuse Box Thin
Code: FB1001



Fuse Box Large
Code: FB1002