



## Key Features

Minimal design bollard, iRano is ideal for discrete illumination of walkways and residential areas.

Offers glare-free illumination and visual comfort, creating a welcoming atmosphere.

Developed with comfort reflectors that provides 360° distribution directing the light completely towards the walking area ensuring great performance.

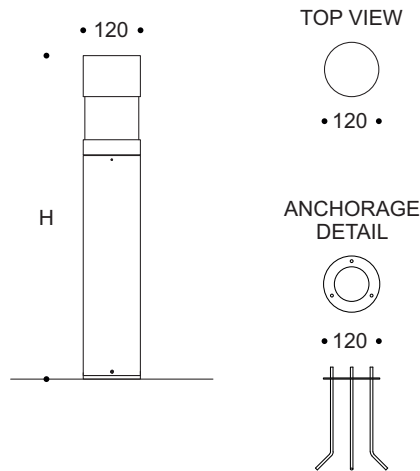
Designed to last in extremely harsh environments.



## Key Data

<b>LED Type</b>	High efficiency LEDs, available in 2700K, 3000K, 4000K, 5000K, 6500K CCT tolerance within a 3-step MacAdams ellipse and LM80 compliant.
<b>Nominal Voltage</b>	220V-240V AC, 50/60Hz
<b>Color Rendering Index</b>	CRI ≥ 80 standard and CRI ≥ 90 on request.
<b>Light Distribution</b>	Rotational light distribution.
<b>Materials</b>	Corrosion resistant double layer polyester powder coated paint finish die cast aluminium housing, wooden tube with stainless steel screws (A4 grade) and silicone gaskets. Power unit is built in. Available in anthracite gray as a standard finish or any desired RAL colour.
<b>Optional Coating</b>	Marine grade.
<b>Diffuser</b>	Shockproof PMMA UV Stabilised Diffuser.
<b>LED Life Time</b>	L90 - B10 > 100,000h
<b>Operating Temperature</b>	-40°C / +55°C
<b>Power Factor</b>	>0.95
<b>Control Systems</b>	On-Off, 1-10V DIM, DALI Interface.
<b>Protection Class</b>	IP65
<b>Impact Resistance</b>	IK09
<b>Insulation Class</b>	Class I
<b>Conformity</b>	Complies with European Standards EN 60598 and CE certified.

### Technical Drawing



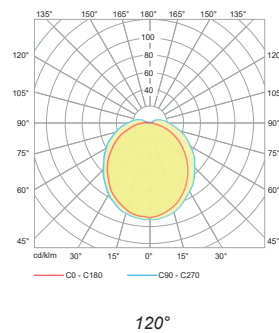
### Information

CODE	POWER CONSUMPTION	LUMEN OUTPUT (lm) 3000K / 4000K	COLOUR TEMPERATURE	H (mm)
LB2024 (Wooden)	18W	1350 / 1530	3000K / 4000K	600 - 1000

\*Anchorage set included.

\*Flange cover to be ordered separately.

### Light Distribution Curve



### Accessories



Fuse Box Thin  
Code: FB1001



Fuse Box Large  
Code: FB1002