

## Key Features

LED lighting with innovative technology and modern design.

iMistral Plus offers outstanding light efficiency and integrates itself through the design into historic and modern surroundings with wide beam asymmetrical optics.

The LED system offers durability and optimal lumen output.

BSISQ® LED Module integrated.

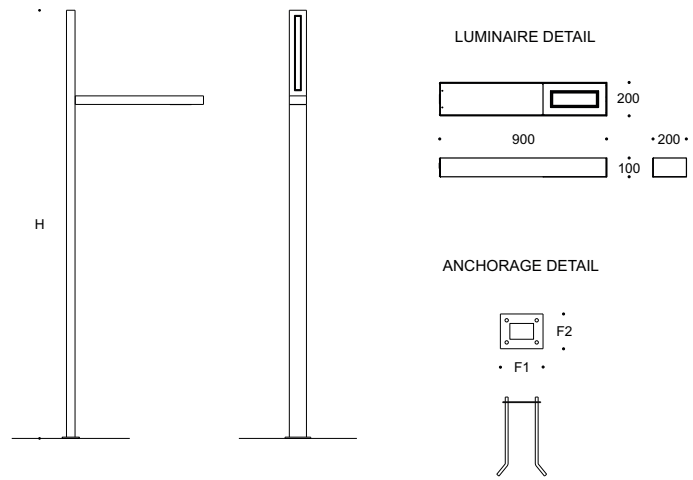
Designed to last in extremely harsh environments.



## Key Data

<b>LED Type</b>	High efficiency LEDs, available in 2700K, 3000K, 4000K, 5000K, 6500K CCT tolerance within a 3-step MacAdams ellipse and LM80 compliant.
<b>Nominal Voltage</b>	220V-240V AC, 50/60Hz
<b>Color Rendering Index</b>	CRI ≥ 80 standard and CRI ≥ 90 on request.
<b>Light Distribution</b>	40° / 60° / 90° / M3
<b>Materials</b>	Corrosion resistant double layer polyester powder coated paint finish die cast aluminium housing, aluminium extruded column (EN AW-6060) with stainless steel screws (A4 grade) and silicone gaskets. Power unit is built in. Available in anthracite gray as a standard finish or any desired RAL colour. BSISQ® LED Module.
<b>Optional Coating</b>	Marine grade.
<b>Diffuser</b>	Thermal-shock resistant tempered glass.
<b>LED Life Time</b>	L80 B10 70.000h Ta 25°C L80 B10 50.000h Ta 40°C
<b>Operating Temperature</b>	-40°C / +55°C
<b>Power Factor</b>	>0.95
<b>Control Systems</b>	On - Off, DALI Interface.
<b>Protection Class</b>	IP66
<b>Impact Resistance</b>	IK08
<b>Insulation Class</b>	Class I
<b>Conformity</b>	Complies with European Standards EN 60598 and CE certified.

Technical Drawing



Information

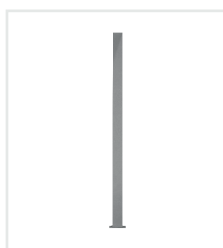
CODE	POWER CONSUMPTION	LUMEN OUTPUT (lm) 3000K / 4000K	COLOUR TEMPERATURE
LB1385	54W	7290 / 7668	3000K / 4000K

\*Integrated Pole LED Module Power: 18W Standard

\*Anchorage set included.

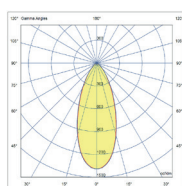
\*Flange cover to be ordered separately.

Poles

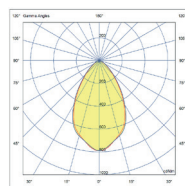


ALUMINIUM POLE	HEIGHT (mm)	DIMENSIONS (mm)	F1 x F2 (mm)
RCP512-AL	4000	200 x 100	300 x 220
RCP513-AL	5000	200 x 100	300 x 220

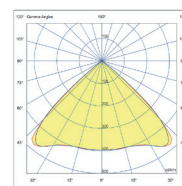
Light Distribution Curve



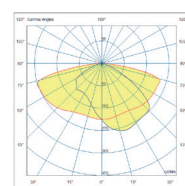
40°



60°



90°



M3