



## Key Features

iLia is an elegant lighting element that is suitable for both modern and classic architecture.

Bollard and light column series with minimal and robust design in different heights, ideal for glare-free lighting of squares, avenues, paths, parks, walkways and gardens.

The innovative optical systems developed for iLia guarantee visual comfort, safety and improved quality of space.

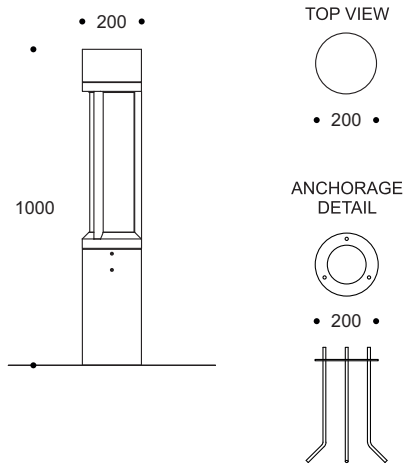
Designed to last in extremely harsh environments.



## Key Data

|                              |  |
|------------------------------|--|
| <b>LED Type</b>              | High efficiency LEDs, available in 2700K, 3000K, 4000K, 5000K, 6500K CCT tolerance within a 3-step MacAdams ellipse and LM80 compliant.  |
| <b>Nominal Voltage</b>       | 220V-240V AC, 50/60Hz  |
| <b>Color Rendering Index</b> | CRI ≥ 80 standard and CRI ≥ 90 on request.   |
| <b>Light Distribution</b>    | Rotational light distribution  |
| <b>Materials</b>             | Corrosion resistant double layer polyester powder coated paint finish die cast aluminium housing, aluminium extruded column (EN AW-6060) with stainless steel screws (A4 grade) and silicone gaskets. Power units built in. Available in anthracite gray as a standard finish or any desired RAL colour. |
| <b>Optional Coating</b>      | Marine grade.  |
| <b>Diffuser</b>              | Thermal-shock resistant tempered glass.  |
| <b>LED Life Time</b>         | L90 - B10 > 100,000h   |
| <b>Operating Temperature</b> | -40°C / +55°C  |
| <b>Power Factor</b>          | >0.95  |
| <b>Control Systems</b>       | On-Off, 1-10V DIM, DALI Interface.   |
| <b>Protection Class</b>      | IP65   |
| <b>Impact Resistance</b>     | IK08   |
| <b>Insulation Class</b>      | Class I  |
| <b>Conformity</b>            | Complies with European Standards EN 60598 and CE certified.  |

Technical Drawing



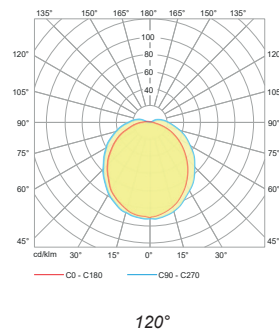
Information

| CODE   | POWER CONSUMPTION | LUMEN OUTPUT (lm)<br>3000K / 4000K | COLOUR TEMPERATURE |
|--------|-------------------|------------------------------------|--------------------|
| LB1361 | 18W               | 1980 / 2160                        | 3000K / 4000K      |

\*Anchorage set included.

\*Flange cover to be ordered separately.

Light Distribution Curve



Accessories



Fuse Box Thin  
Code: FB1001



Fuse Box Large  
Code: FB1002