



Key Features

LED Floodlight ideal for long-throw lighting high-rise buildings/facades, large structures, bridges, towers, sports areas, retail spaces and perimeter areas.

BS Vision provides a high-intensity wash of light for long distances with customisable beam angles for floodlighting, spotlighting, wall washing and grazing.

The range have identical proportions, the same high quality of materials and appearance. Photometrically, they all feature the LED platform with precise light control and a variety of optics, for maximum quality of lighting and finest visual comfort.

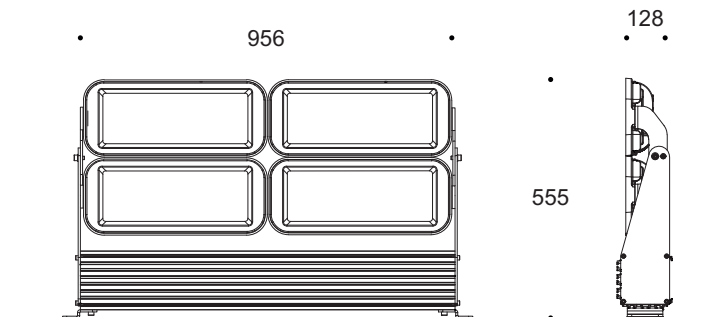
Designed to last in extremely harsh environments.



Key Data

LED Type	High efficiency 192 LEDs RGBW, 3-step MacAdams ellipse and LM80 compliant.
Nominal Voltage	90 ~ 264VAC 50/60Hz Universal AC input
Color Rendering Index	CRI ≥ 70
Color Resolution	4 x 8-bit (Gamma correction)
Addressing	RDM (Group of Remote Addressable Systems)
PWM Frequency	1000Hz flicker free dimming
Optics	8° / 15° / 30° / 60° / 90°
Materials	Corrosion resistant double layer polyester powder coated paint finish die cast aluminium housing with stainless steel screws (A4 grade) and silicone gaskets. Power unit is built in. Available in gray as a standard finish or any desired RAL colour. Mounting bracket made of steel with polyester powder coating.
Optional Coating	Marine grade.
Accessories	Plug power & data connector set.
Diffuser	Thermal-shock resistant tempered glass.
LED Life Time	L90 - B10 > 100,000h
Thermal Protection	Automatic over temperature protection (+70°C)
Cooling	Cooling by free air convection
RDM Compliance	ANSI/ESTA E1.20-2010
Operating Temperature	-40°C / +55°C
Power Factor	>0.95
Control Systems	DMX / RDM, DALI Interface.
Protection Class	IP66
Impact Resistance	IK09
Insulation Class	Class I
Cabling and Connection	Wire and Connector.
Conformity	Complies with European Standards EN 60598 and CE certified.

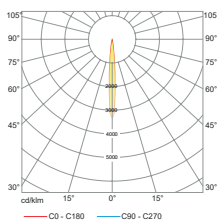
Technical Drawing



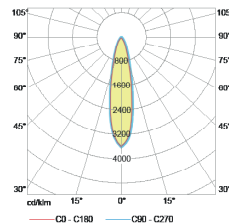
Information

CODE	POWER CONSUMPTION	LUMEN OUTPUT (lm) RGBW	COLOUR TEMPERATURE
FL773102 RGBW	440W	28429	RGBW

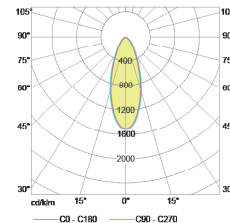
Light Distribution Curve



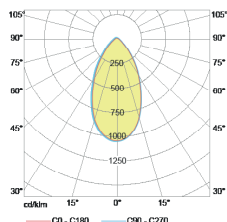
8°



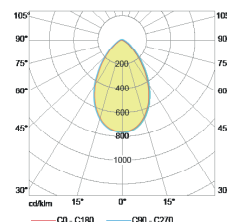
15°



30°



60°



90°