



## Key Features

LED Floodlight ideal for long-throw lighting high-rise buildings/facades, large structures, bridges, towers, sports areas, retail spaces and perimeter areas.

BS Vision provides a high-intensity wash of light for long distances with customisable beam angles for floodlighting, spotlighting, wall washing and grazing.

The range have identical proportions, the same high quality of materials and appearance. Photometrically, they all feature the LED platform with precise light control and a variety of optics, for maximum quality of lighting and finest visual comfort.

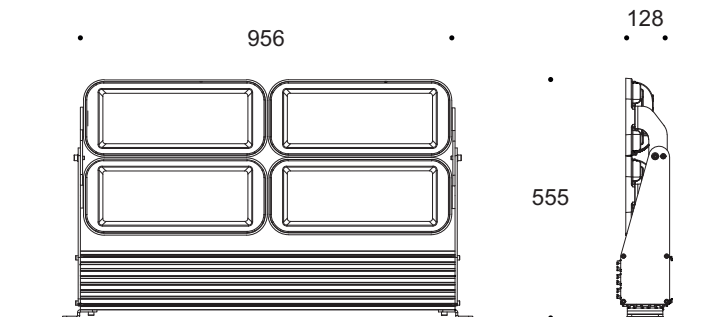
Designed to last in extremely harsh environments.



## Key Data

<b>LED Type</b>	High efficiency 192 LEDs RGB, 3-step MacAdams ellipse and LM80 compliant.
<b>Nominal Voltage</b>	90 ~ 264VAC 50/60Hz Universal AC input
<b>Color Rendering Index</b>	CRI ≥ 70
<b>Color Resolution</b>	4 x 8-bit (Gamma correction)
<b>Addressing</b>	RDM (Group of Remote Addressable Systems)
<b>PWM Frequency</b>	1000Hz flicker free dimming
<b>Optics</b>	8° / 15° / 30° / 60° / 90°
<b>Materials</b>	Corrosion resistant double layer polyester powder coated paint finish die cast aluminium housing with stainless steel screws (A4 grade) and silicone gaskets. Power unit is built in. Available in gray as a standard finish or any desired RAL colour. Mounting bracket made of steel with polyester powder coating.
<b>Optional Coating</b>	Marine grade.
<b>Accessories</b>	Plug power & data connector set.
<b>Diffuser</b>	Thermal-shock resistant tempered glass.
<b>LED Life Time</b>	L90 - B10 > 100,000h
<b>Thermal Protection</b>	Automatic over temperature protection (+70°C)
<b>Cooling</b>	Cooling by free air convection
<b>RDM Compliance</b>	ANSI/ESTA E1.20-2010
<b>Operating Temperature</b>	-40°C / +55°C
<b>Power Factor</b>	>0.95
<b>Control Systems</b>	DMX / RDM, DALI Interface.
<b>Protection Class</b>	IP66
<b>Impact Resistance</b>	IK09
<b>Insulation Class</b>	Class I
<b>Cabling and Connection</b>	Wire and Connector.
<b>Conformity</b>	Complies with European Standards EN 60598 and CE certified.

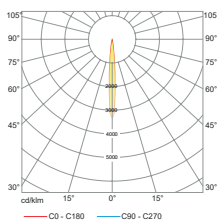
Technical Drawing



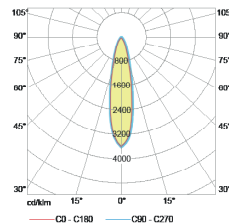
Information

CODE	POWER CONSUMPTION	LUMEN OUTPUT (lm) RGB	COLOUR TEMPERATURE
FL773101 RGB	300W	21665	RGB

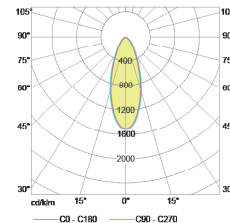
Light Distribution Curve



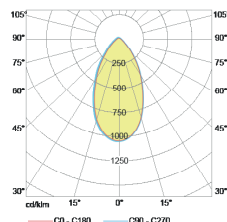
8°



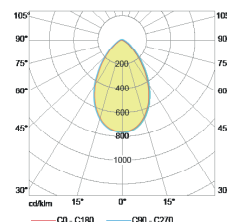
15°



30°



60°



90°