



Key Features

Powerful and outdoor rated floodlight with high lumen output and excellent color consistency.

Procolour 60 floodlights are excellent solution for accent lighting, spot lighting, wall washing, facade lighting applications and widely used in illuminating historical places, monuments, smaller structures in parks and areas.

Architectural floodlight range inspires architects, designers and system integrators with its exceptional quality, a variety of beam angles and remarkable creativity.

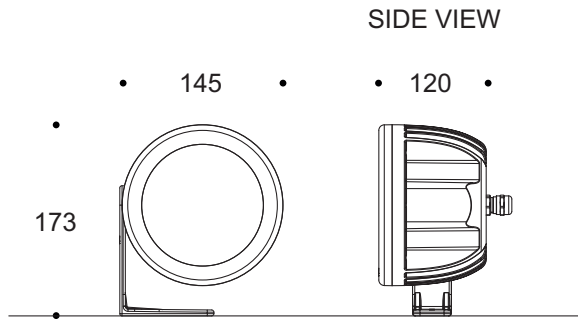
Designed to last in extremely harsh environments.



Key Data

Led Source	6 x High Power Color LEDs
LED Type	High efficiency LEDs, RGBW 3-step MacAdams ellipse and LM80 compliant.
Nominal Voltage	90 ~ 264VAC 50/60Hz Universal AC input
Maximum in Chain	32pcs
Color Range	16.7 Million additive RGB colors, white CCT 2700K-6500K
Color Resolution	4 x 12-bit (Gamma correction)
Auto-White	Algorithms enable auto control of white LED by 3-channel RGB values.
Color Rendering Index	CRI ≥ 80 standard and CRI ≥ 90 on request.
Monitoring	Voltage Monitoring, Temperature Monitoring, Status Monitoring, Power Cycle Monitoring, Lumen-Maintenance Life Monitoring.
Addressing	RDM (Group of Remote Addressable Systems)
Optics	10° / 25° / 35°
Materials	Corrosion resistant double layer polyester powder coated paint finish die cast aluminium housing with stainless steel screws (A4 grade) and silicone gaskets. Adjustable and lockable with 6 degree angle. Evaporated with PG9 Stainless Steel Cable Glands&Ventilation Plug. Power unit is built in. Available in silver gray as a standard finish or any desired RAL colour.
Optional Coating	Marine grade.
Diffuser	Thermal-shock resistant tempered glass.
LED Life Time	L90 - B10 > 100,000h
Operating Temperature	-40°C / +55°C
Power Factor	>0.95
Control Systems	DMX / RDM
Protection Class	IP67
Impact Resistance	IK10
Insulation Class	Class I
Conformity	Complies with European Standards EN 60598 and CE certified.

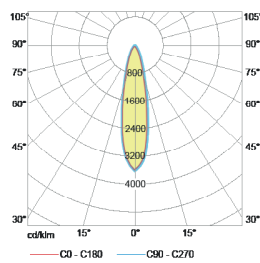
Technical Drawing



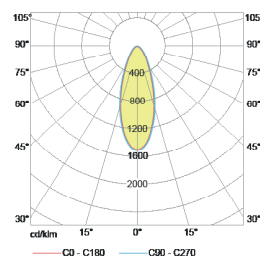
Information

CODE	POWER CONSUMPTION	LUMEN OUTPUT (lm) RGBW	COLOUR TEMPERATURE
FL6001RGBW	60W	3744	RGBW

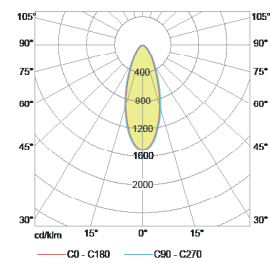
Light Distribution Curve



10°



25°



35°