

Key Features

BS Dot pixel fixture with diffused version provides special video effects with maximum brightness. Enables endless layout of patterns, graphics display and offers customizable solutions pixel mapping with DMX 512 and RDM protocol.

High-performance media LED Dot for large locations allows for long fixture runs with variable pixel pitches for flexible designs. An inventive instrument for video display setups. Perfect viewing without pixel gap or shade in the connection points.

Compact LED module providing ultra-bright spot light output. BS Dot is the ideal solution for displaying video files, stunning visual effects and graphic patterns.

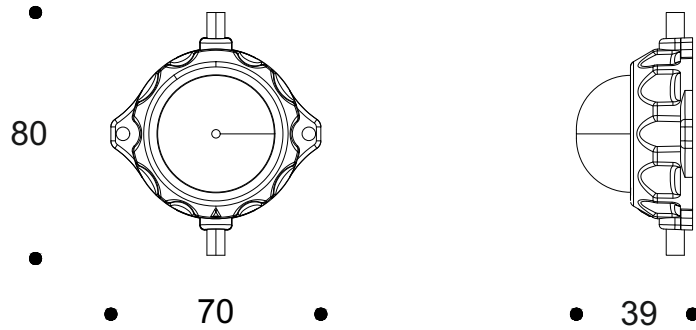
Designed to last in extremely harsh environments.



Key Data

Product Type	RGBW
LED Type	High efficiency 5050 4-in-1 RGBW SMD LED, available in 2700K, 3000K, 4000K, 5000K, 6500K CCT tolerance within a 3-step MacAdams ellipse and LM80 compliant.
Nominal Voltage	24V DC (Standard) / 48V DC (Optional)
Color Rendering Index	CRI ≥ 80 standard and CRI ≥ 90 on request.
Light Distribution	120°
Materials	UV-Protected ABS Body
Body Colors	9016 White, 9005 Black, 9006 Grey
Diffuser	UV-Protected Polycarbonate Diffuser
LED Life Time	L90 - B50 > 60,000h
Operating Temperature	-30°C / +65°C
Pixel Pitch	12.5 cm / 25 cm / 50 cm (Standard) Variable pixel pitch
Dots Per String	1 (2W/ 56 lm), 10 (20W/ 560 lm), 25 (50W/1400 lm), 50 (100W/2800 lm), 100 (200W/5600 lm)
Number of LEDs	6 LED
Control	SPI (Standard) / DMX512 (Optional)
Protection Class	IP68
Impact Resistance	IK10
Insulation Class	Class III
Conformity	CE, RoHS

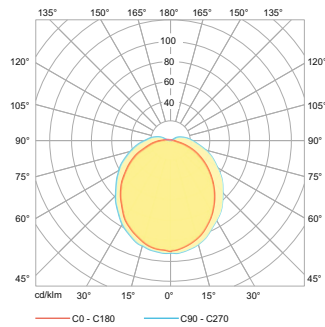
Technical Drawing



Information

PRODUCT	POWER CONSUMPTION	LUMEN OUTPUT (lm) RGBW	COLOUR TEMPERATURE
AR642208 DOME	2-200W	56-5600 lm	RGBW

Light Distribution Curve



Diffused Beam