



## **PRODUCT FEATURES:**

iTubo secures functional down lighting with excellent light output.  
Manufactured in different sizes.

iTubo is a round ceiling lamp that is the definition of elegant and minimalist design.  
Architectural ceiling lighting range inspires architects, designers and system integrators with its exceptional quality, a variety of beam angles and remarkable creativity.

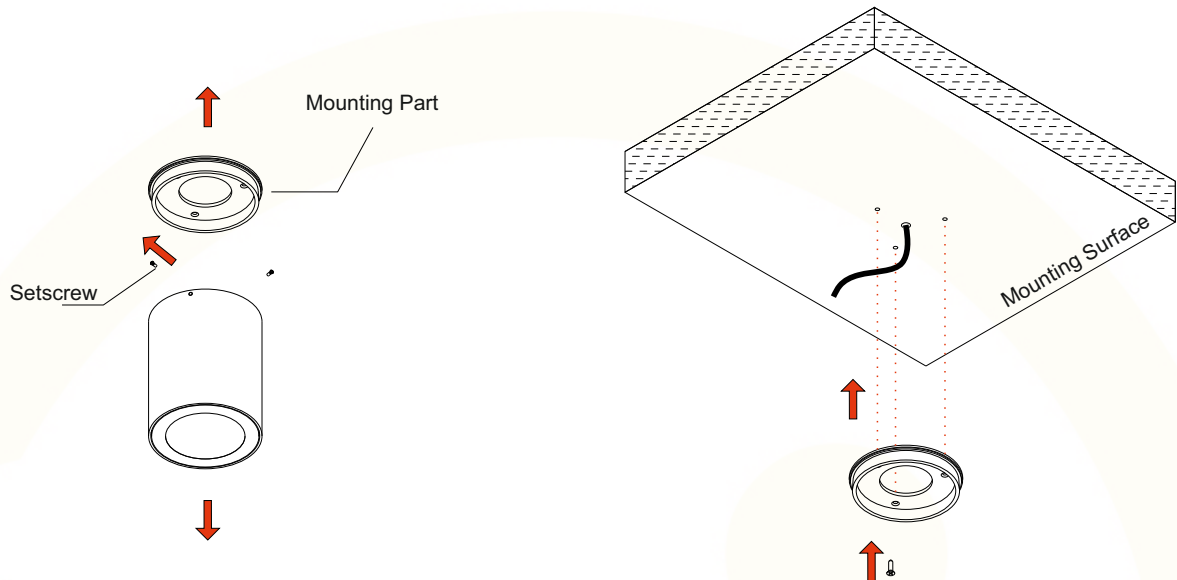
## **RECOMMENDATIONS FOR THE USER:**

- 1) Before the installation, make sure that there is no voltage.
- 2) Do not touch the fitting when it is working on / switched on
- 3) Do not look at the fitting directly or from a short distance.
- 4) Disconnect / switch off the fitting before changing the lamps
- 5) The safety of this fixture is guaranteed only if you comply with these instructions.

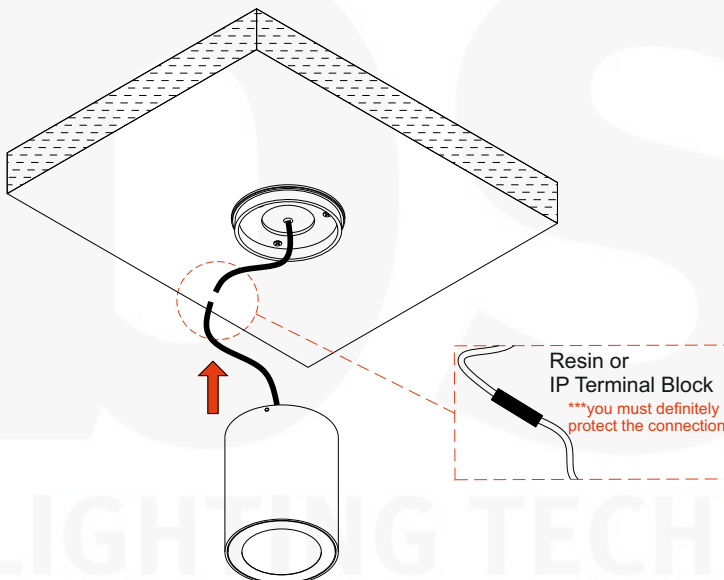
## **NOTES:**

- Technical amendments are reserved.
- CE – Conformity mark
- The manufacturer is then discharged from liability when damage is caused by improper use or installation.
- Clean luminaire regularly with solvent-free cleansers from dirt and deposits. Do not use high pressure cleaners.
- Cleaning agents containing hydrochloric acid and chlorides should never be used.

- 1) - The mounting case of the product is removed.
  - The holes on the mounting part are used as a template to drill holes in the diameter appropriate to the fixing plug and plugs are drilled to the holes.
  - The mounting part is screwed onto the mounting surface.



- 2) Electrical connection is done.



When connecting the luminaires, make sure that the same color cables are matching.

(L) Brown  
(±) Yellow - Green  
(N) Blue

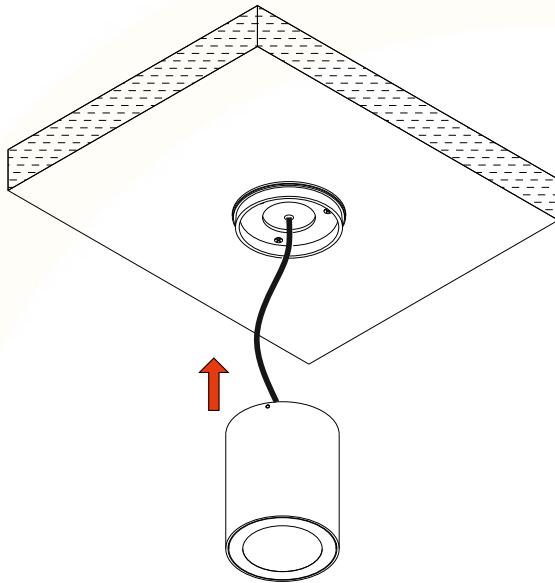
DALI CONTROL CONNECTION

(L) Brown  
(±) Green - Yellow  
(N) Blue  
(DaL) Black  
(DaN) Gray

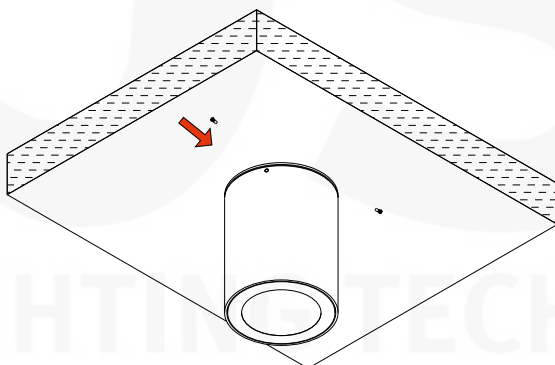
\*Please contact us for cables if in different colors.



3) Luminaire is fitted on the mounting part.



4) Luminaire is screwed and installation is completed.



**Warning:**

- Do not cut-off or damage the cables of the products supplied as sockets. Otherwise, water may enter to the luminare through cable and damage the electronic parts inside.
- If you make the electrical connecton, except for IP.68 Terminal Block - IP.68 Plug connector - IP.68 socket; the connectons must be under IP protecton. Otherwise, water may enter to the luminare through cable and damage the electronic parts inside.
- The IP68 Connecting kits must be assembled in accordance with the installaton instructions. Otherwise, water may enter to the luminare through cable and damage the electronic parts inside.

**Out of Warranty Stuations:**

Product last output cable is not protected IP67-IP68.

Faulty electrical connecton.

Wrong IP68 socket-terminal block- plug connector connecton.  
(Wrong opening of the cable length, fauly tightening the screws etc.)

If the IP68 Connecting kits are under water.

LIGHTING TECHNOLOGIES