

PRODUCT FEATURES:

The decorative cubic pillar light is designed for diffused illumination with no glare. Modern square cube LED Pillar Lamp outdoor waterproof landscape lighting. Architectural pillar LED range inspires architects, designers and system integrators with its exceptional quality, functional light distribution and remarkable creativity. Designed to last in extremely harsh environments.

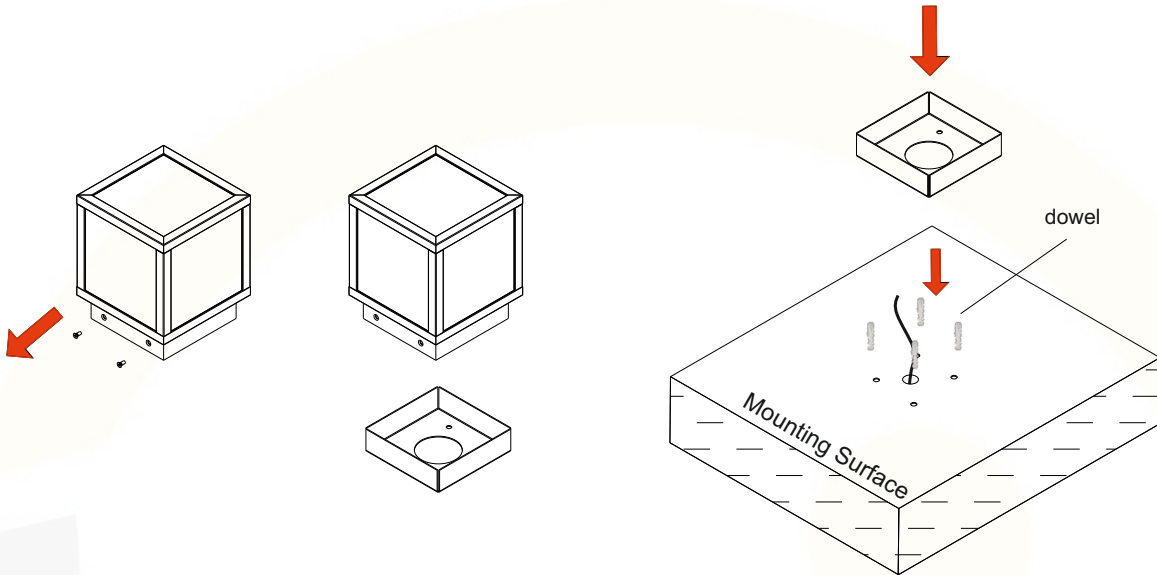
RECOMMENDATIONS FOR THE USER:

- 1) Before the installation, make sure that there is no voltage.
- 2) Do not touch the fitting when it is working on / switched on
- 3) Do not look at the fitting directly or from a short distance.
- 4) Disconnect / switch off the fitting before changing the lamps
- 5) The safety of this fixture is guaranteed only if you comply with these instructions.

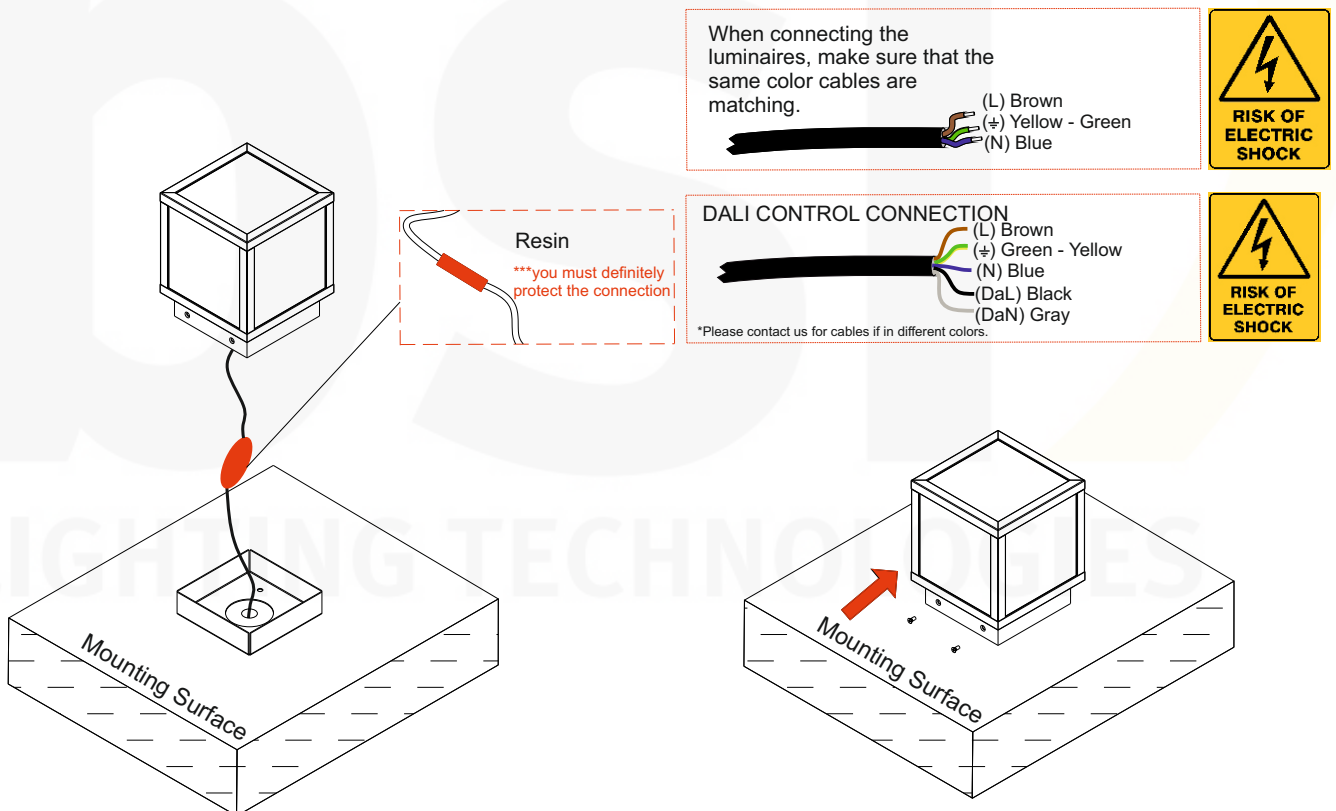
NOTES:

- Technical amendments are reserved.
- CE – Conformity mark
- The manufacturer is then discharged from liability when damage is caused by improper use or installation.
- Clean luminaire regularly with solvent-free cleansers from dirt and deposits. Do not use high pressure cleaners.
- Cleaning agents containing hydrochloric acid and chlorides should never be used.

- 1) -The screws on the luminaire are removed.
- The mounting part is removed from the luminaire.
- Holes are drilled on the mounting surface, corresponding to the holes of the mounting part, and dowels are driven into the holes.
- The mounting part is screwed into the mounting surface.



- 2) -Electrical connection is done and the luminaire is placed.
- The luminaire is screwed back into the mounting part.



Warning:

- Do not cut-off or damage the cables of the products supplied as sockets. Otherwise, water may enter to the luminaire through cable and damage the electronic parts inside.
- If you make the electrical connecton, except for IP68 Terminal Block - IP68 Plug connector - IP68 socket; the connectons must be under IP protecton. Otherwise, water may enter to the luminaire through cable and damage the electronic parts inside.
- The IP68 Connecting kits must be assembled in accordance with the installaton instructions. Otherwise, water may enter to the luminaire through cable and damage the electronic parts inside.

Out of Warranty Stuations:

Product last output cable is not protected IP67-IP68.

Faulty electrical connecton.

Wrong IP68 socket-terminal block- plug connector connecton.
(Wrong opening of the cable length, fauly tightening the screws etc.)

If the IP68 Connecting kits are under water.

LIGHTING TECHNOLOGIES