



## **PRODUCT FEATURES:**

iCone LED pillar with 360° light emission provides simplicity and easy integration into a range of settings.

Timeless lighting bollard series with minimal and robust design ideal for homogeneous illumination of paths, parks, walkways and gardens.

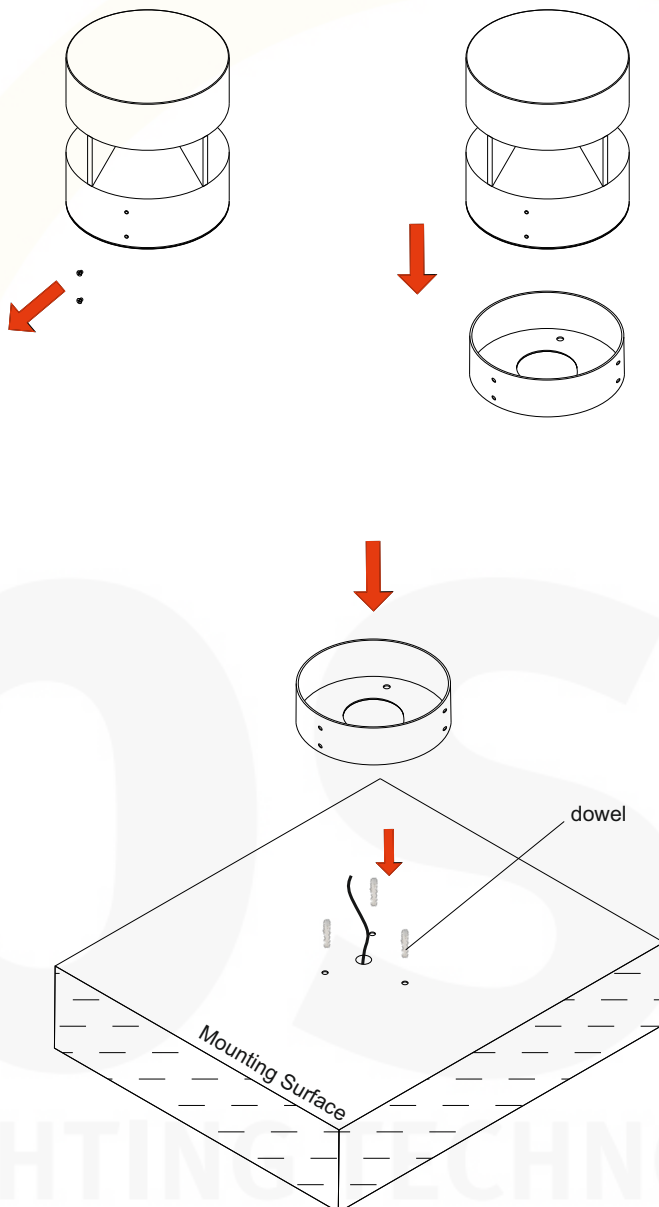
## **RECOMMENDATIONS FOR THE USER:**

- 1) Before the installation, make sure that there is no voltage.
- 2) Do not touch the fitting when it is working on / switched on
- 3) Do not look at the fitting directly or from a short distance.
- 4) Disconnect / switch off the fitting before changing the lamps
- 5) The safety of this fixture is guaranteed only if you comply with these instructions.

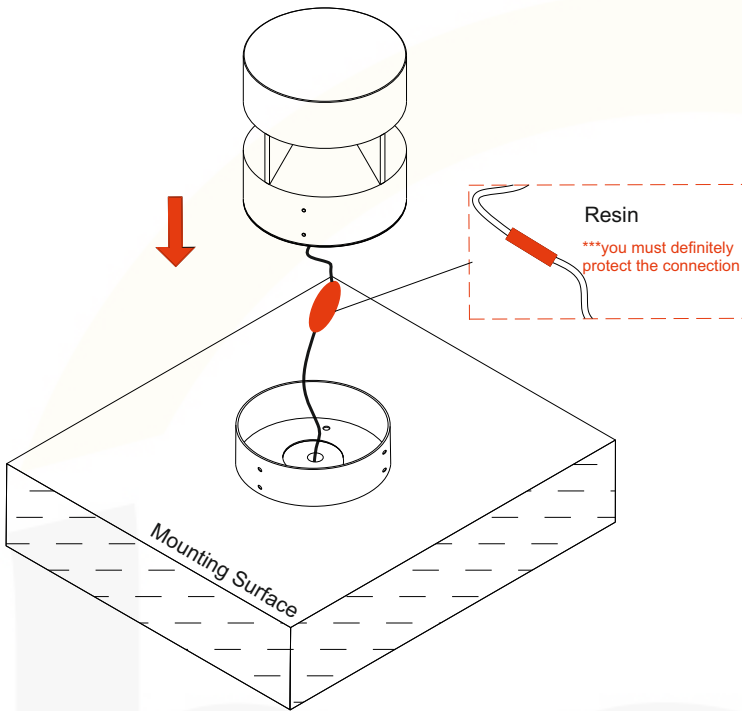
## **NOTES:**

- Technical amendments are reserved.
- CE – Conformity mark
- The manufacturer is then discharged from liability when damage is caused by improper use or installation.
- Clean luminaire regularly with solvent-free cleansers from dirt and deposits. Do not use high pressure cleaners.
- Cleaning agents containing hydrochloric acid and chlorides should never be used.

- 1) -The screws on the luminaire are removed.  
-The mounting part is removed from the luminaire.  
-Holes are drilled on the mounting surface, corresponding to the holes of the mounting part, and dowels are driven into the holes.  
-The mounting part is screwed into the mounting surface.



- 2) -Electrical connection is done and the luminaire is placed.
- The luminaire is screwed back into the mounting part.



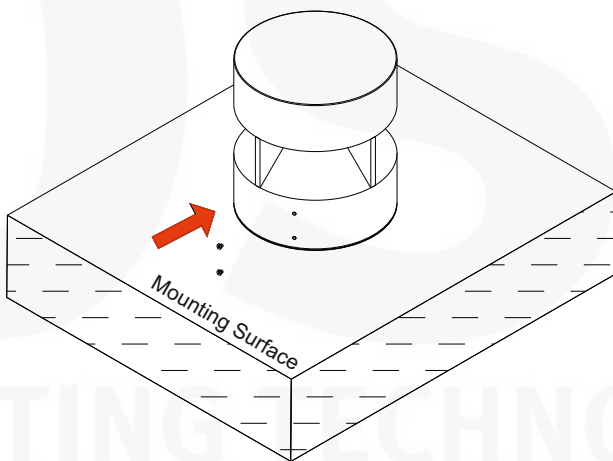
When connecting the luminaires, make sure that the same color cables are matching.

- (L) Brown
- (±) Yellow - Green
- (N) Blue

DALI CONTROL CONNECTION

- (L) Brown
- (±) Green - Yellow
- (N) Blue
- (DaL) Black
- (DaN) Gray

\*Please contact us for cables if in different colors.



**Warning:**

- Do not cut-off or damage the cables of the products supplied as sockets. Otherwise, water may enter to the luminaire through cable and damage the electronic parts inside.
- If you make the electrical connecton, except for IP68 Terminal Block - IP68 Plug connector - IP68 socket; the connectons must be under IP protecton. Otherwise, water may enter to the luminaire through cable and damage the electronic parts inside.
- The IP68 Connecting kits must be assembled in accordance with the installaton instructions. Otherwise, water may enter to the luminaire through cable and damage the electronic parts inside.

**Out of Warranty Stuations:**

Product last output cable is not protected IP67-IP68.

Faulty electrical connecton.

Wrong IP68 socket-terminal block- plug connector connecton.  
(Wrong opening of the cable length, fauly tightening the screws etc.)

If the IP68 Connecting kits are under water.

LIGHTING TECHNOLOGIES