



## **PRODUCT FEATURES:**

iRuta Smart Slim is an architectural lighting structure with a square cross section creates an impressive alternation of light and shadow on the floor.

Top luminaire installation responds to the specific functional and architectural requirements of each urban context.

Efficient tool for lighting open spaces, pedestrian areas and urban zones.

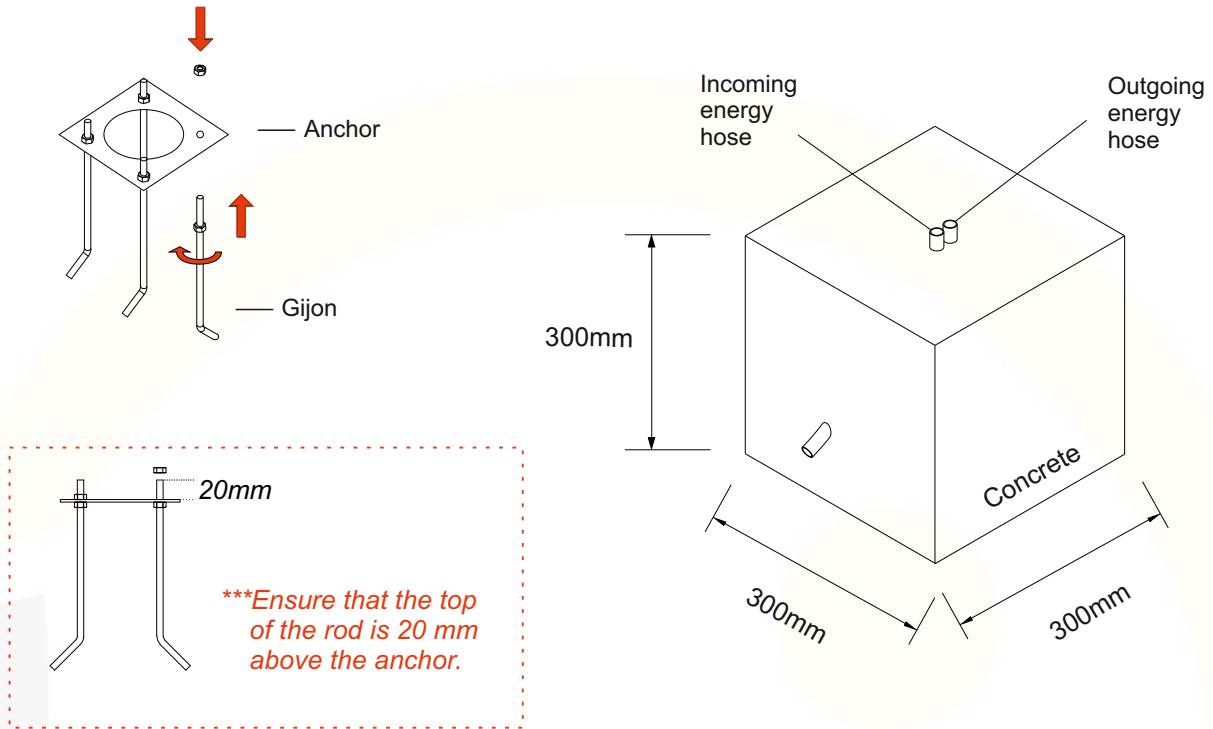
## **RECOMMENDATIONS FOR THE USER:**

- 1) Before the installation, make sure that there is no voltage.
- 2) Do not touch the fitting when it is working on / switched on
- 3) Do not look at the fitting directly or from a short distance.
- 4) Disconnect / switch off the fitting before changing the lamps
- 5) The safety of this fixture is guaranteed only if you comply with these instructions.

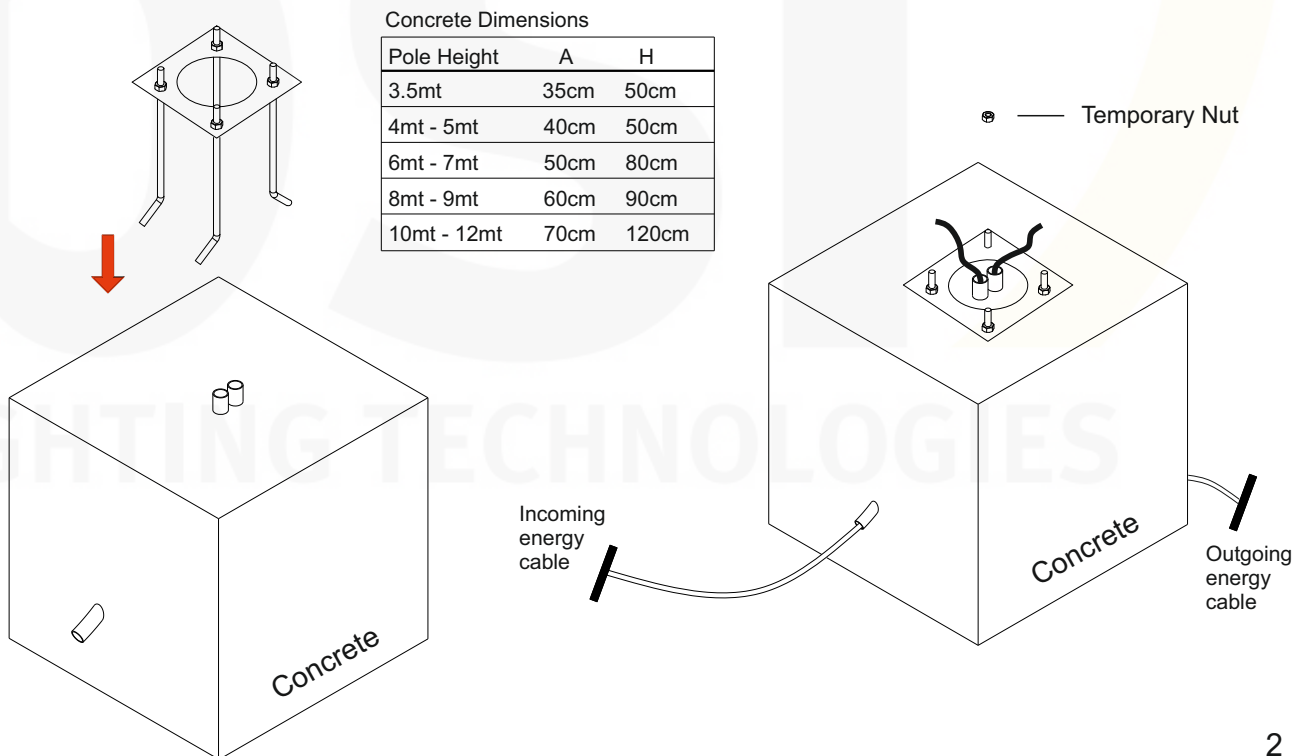
## **NOTES:**

- Technical amendments are reserved.
- CE – Conformity mark
- The manufacturer is then discharged from liability when damage is caused by improper use or installation.
- Clean luminaire regularly with solvent-free cleansers from dirt and deposits. Do not use high pressure cleaners.
- Cleaning agents containing hydrochloric acid and chlorides should never be used.

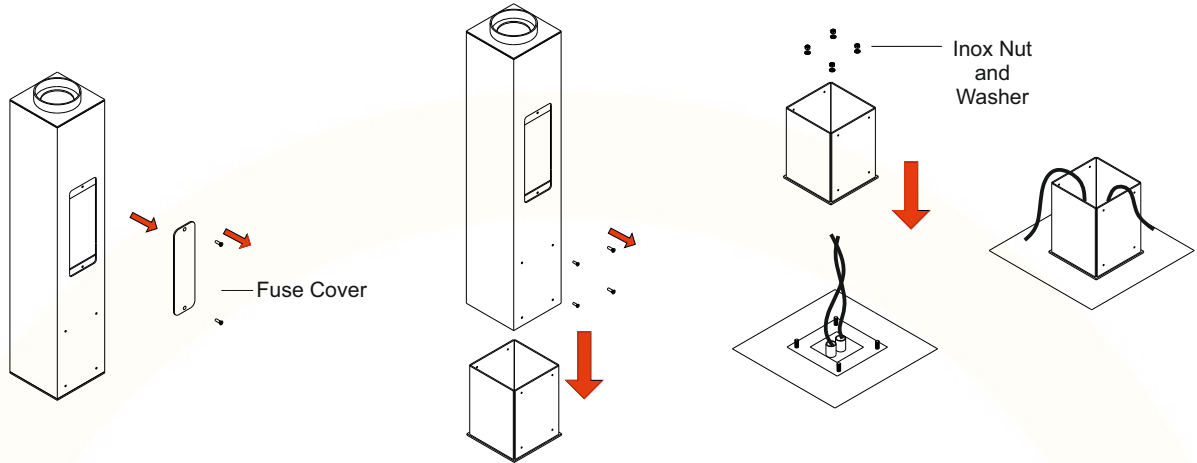
- 1) - Gjons are mounted onto the anchor and securely fastened  
 - The incoming energy hoses are routed to the installation base, and concrete is poured afterward.



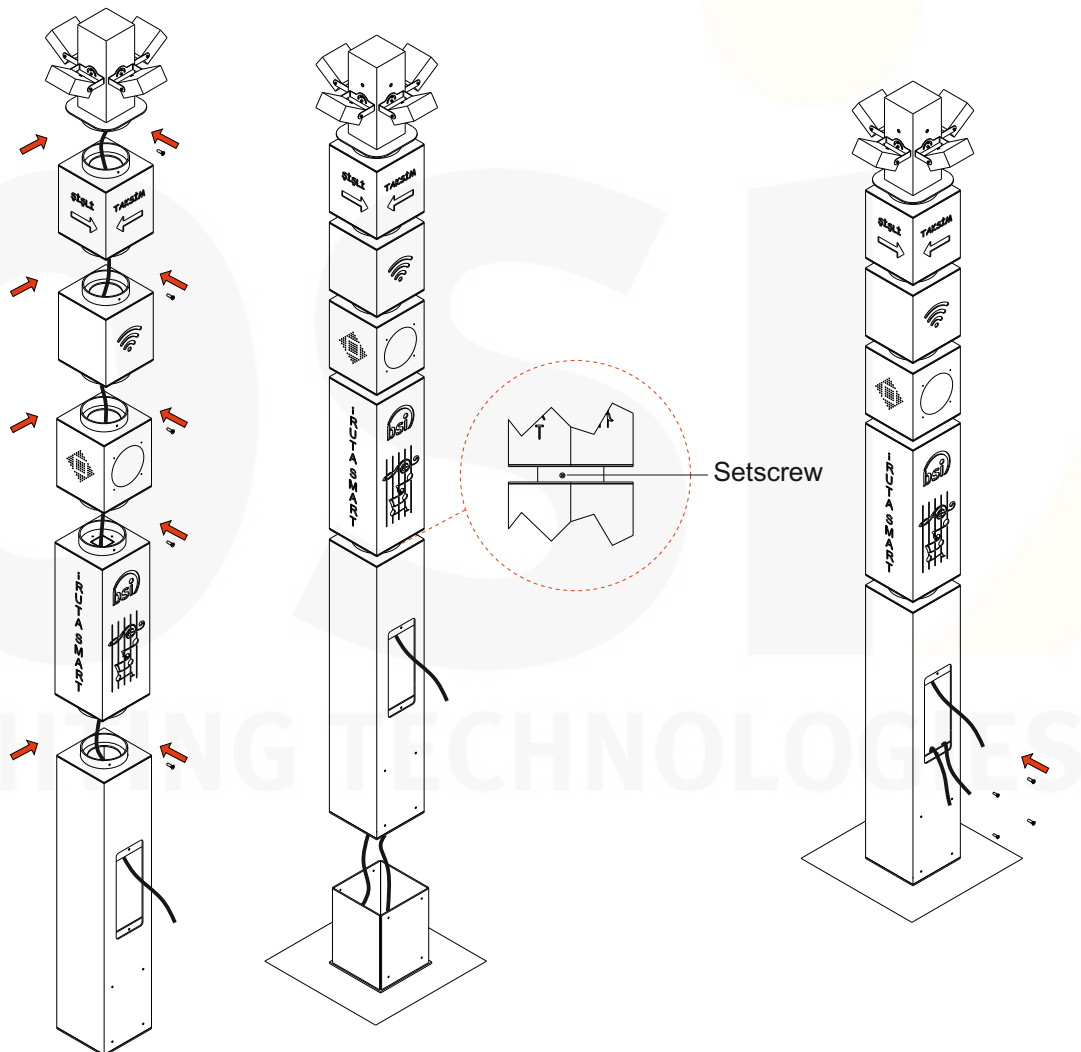
- 2) - The prepared anchor is placed into the concrete and leveled accurately.  
 - After the concrete has cured, the power cable is connected and the temporary nuts are removed.



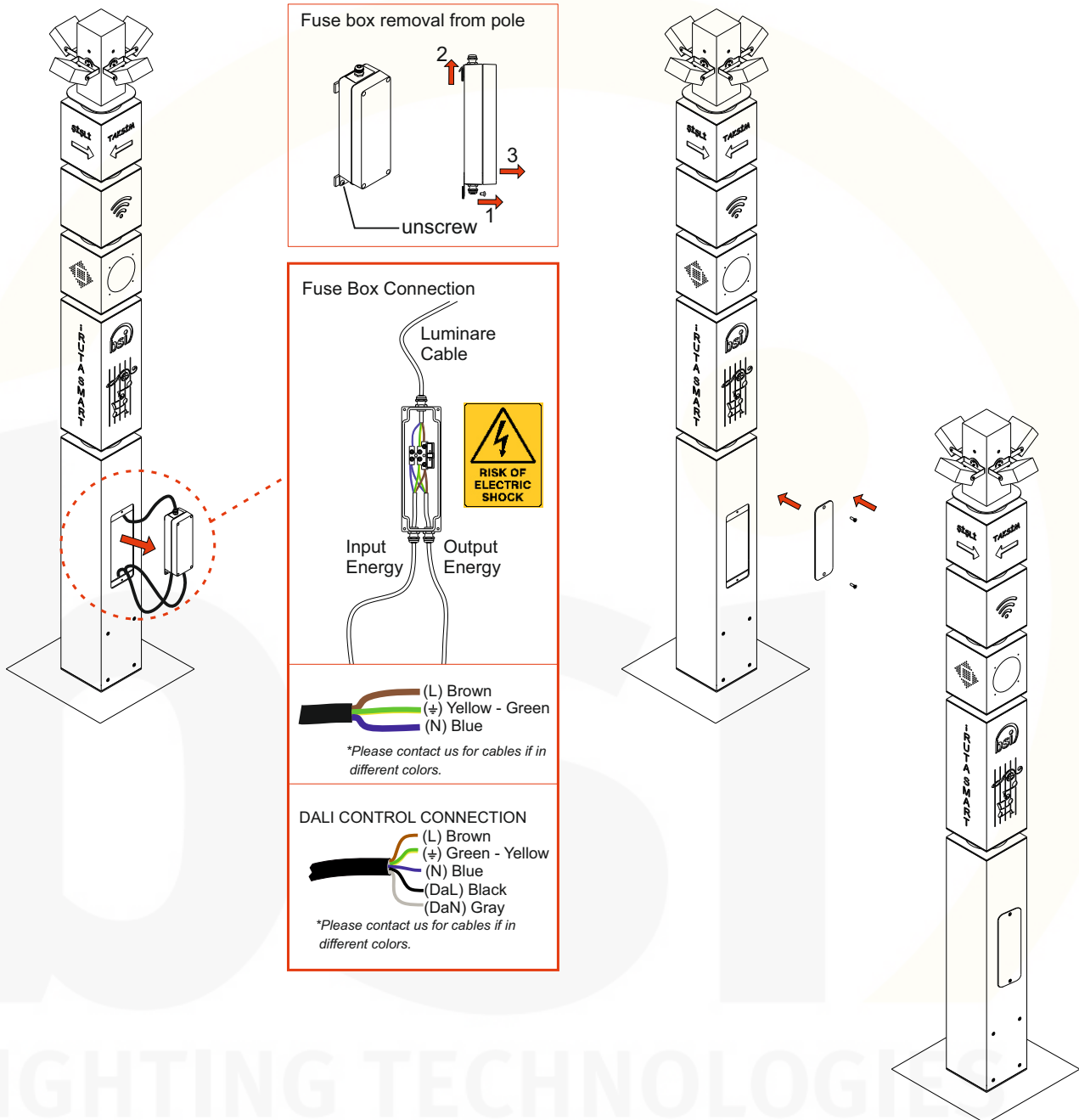
- 3) - Flange and fuse cover are removed from the pole.  
 - The flange is seated and screwed into the anchor with new inox screws.



- 4) - The moduls are screwed with setscrew.  
 - The incoming energy cable is passed through the pole and removed from the fuse cover.  
 - The pole is placed on the flange.  
 - Tighten the screws back into the pole.



5) Electrical connection is done and the fuse cover is screwed back.



**Warning:**

- Do not cut-off or damage the cables of the products supplied as sockets. Otherwise, water may enter to the luminaire through cable and damage the electronic parts inside.
- If you make the electrical connecton, except for IP.68 Terminal Block - IP.68 Plug connector - IP.68 socket; the connectons must be under IP protecton. Otherwise, water may enter to the luminaire through cable and damage the electronic parts inside.
- The IP68 Connecting kits must be assembled in accordance with the installaton instructions. Otherwise, water may enter to the luminaire through cable and damage the electronic parts inside.

**Out of Warranty Stuations:**

Product last output cable is not protected IP67-IP68.

Faulty electrical connecton.

Wrong IP68 socket-terminal block- plug connector connecton.  
(Wrong opening of the cable length, fauly tightening the screws etc.)

If the IP68 Connecting kits are under water.

LIGHTING TECHNOLOGIES