

PRODUCT FEATURES:

The uniquely modern iCali outdoor bollard features a sleek aluminium surface with a range of customised shapes, ideal for lighting modern and architectural streets, squares, parks, public areas and entryways.

Circular column with decorative patterns and unique pieces offer a special lighting creativity wherever they are installed.

Designed to last in extremely harsh environments.

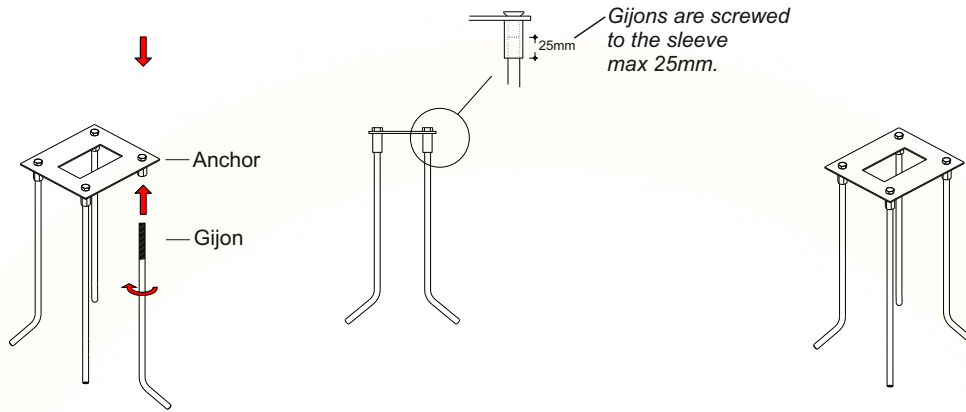
RECOMMENDATIONS FOR THE USER:

- 1) Before the installation, make sure that there is no voltage.
- 2) Do not touch the fitting when it is working on / switched on
- 3) Do not look at the fitting directly or from a short distance.
- 4) Disconnect / switch off the fitting before changing the lamps
- 5) The safety of this fixture is guaranteed only if you comply with these instructions.

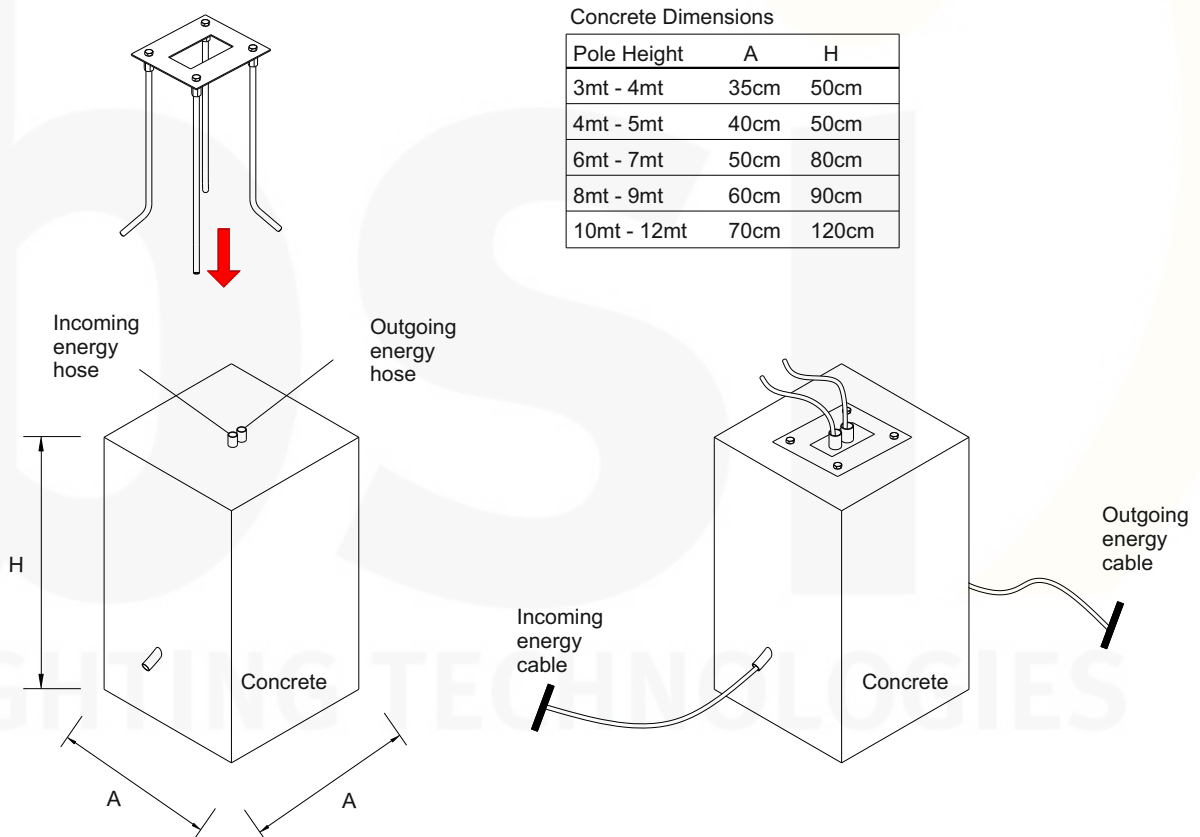
NOTES:

- Technical amendments are reserved.
- CE – Conformity mark
- The manufacturer is then discharged from liability when damage is caused by improper use or installation.
- Clean luminaire regularly with solvent-free cleansers from dirt and deposits. Do not use high pressure cleaners.
- Cleaning agents containing hydrochloric acid and chlorides should never be used.

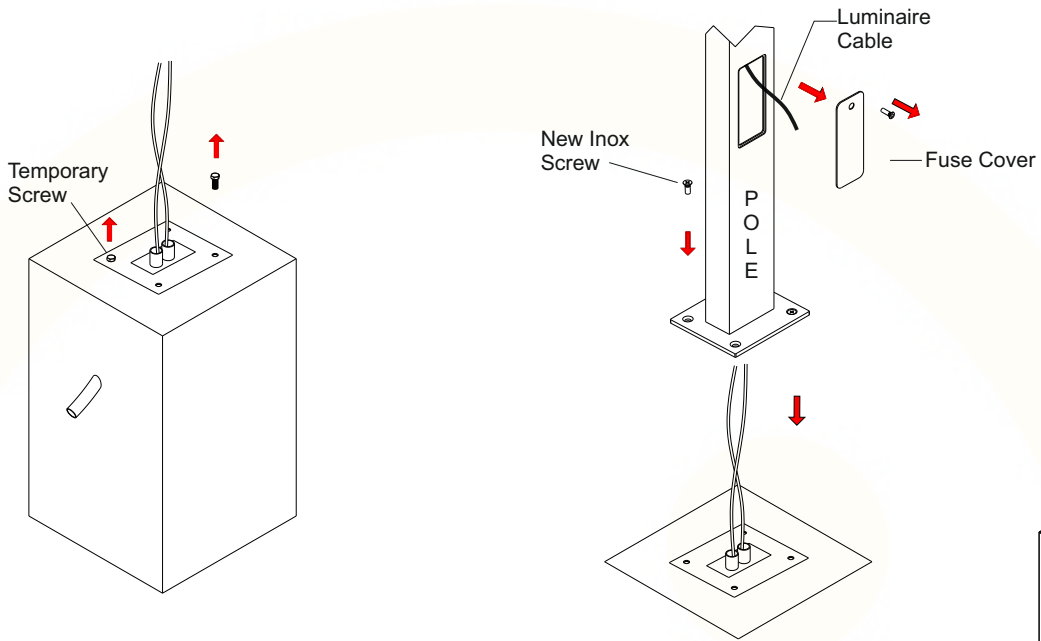
- 1) Gijons tightened 2.5cm to the anchor.
**Do not remove the screws on the anchorage.*



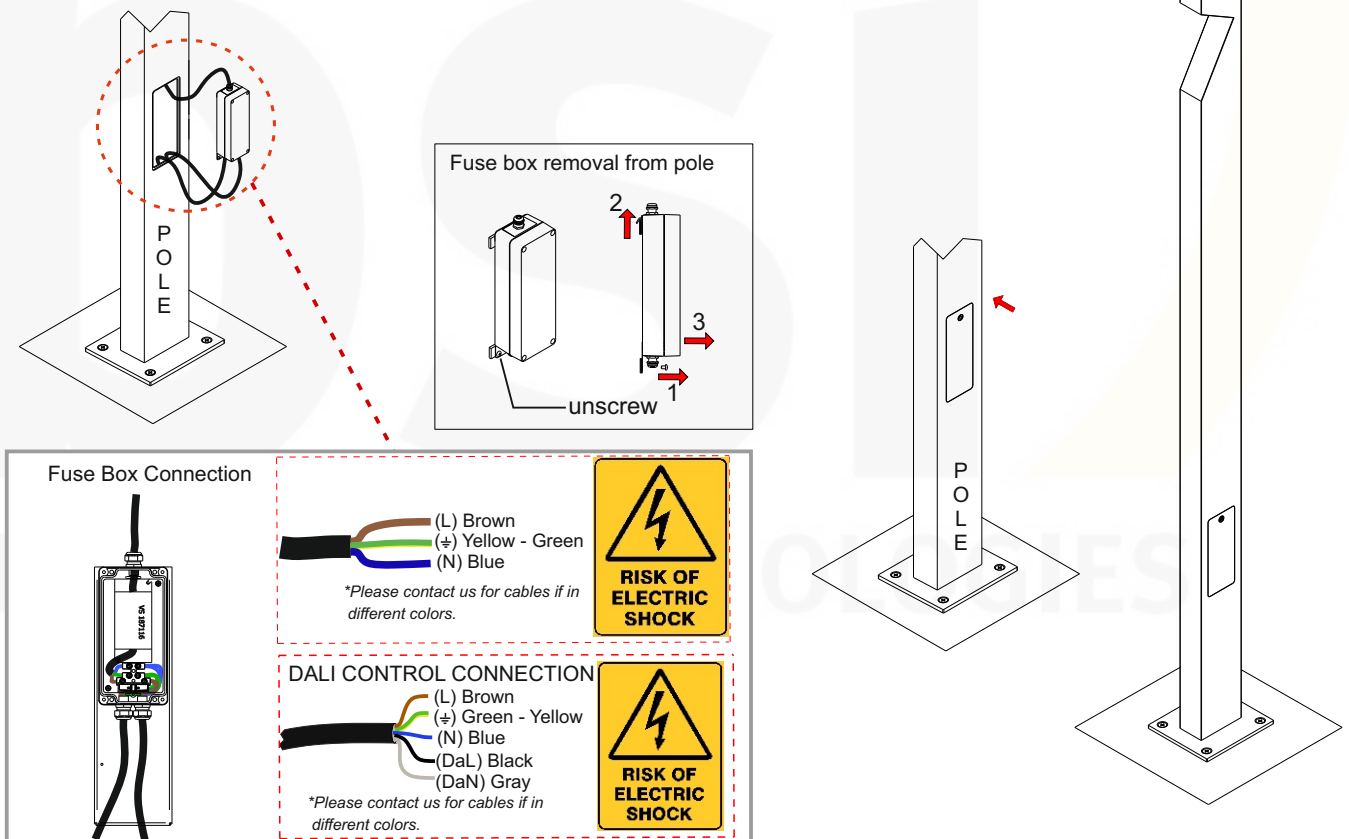
- 2) - The prepared anchor is embedded in the concrete and leveled.
 - After the concrete is dried, the energy cabling is done.



- 3) - Temporary screws on the anchor are removed and discarded not to use again.
 - The fuse cover on the pole is removed.
 - The incoming power cable is passed through the pole and pulled out of the fuse hole.
 - The pole is placed on the anchor and screwed into the anchor with new inox screws.



- 4) Electrical connection is done and the fuse cover is screwed.



Warning:

- Do not cut-off or damage the cables of the products supplied as sockets. Otherwise, water may enter to the luminaire through cable and damage the electronic parts inside.
- If you make the electrical connecton, except for IP68 Terminal Block - IP68 Plug connector - IP68 socket; the connectons must be under IP protecton. Otherwise, water may enter to the luminaire through cable and damage the electronic parts inside.
- The IP68 Connecting kits must be assembled in accordance with the installaton instructions. Otherwise, water may enter to the luminaire through cable and damage the electronic parts inside.
- Mounting hole should be drainaged.

Out of Warranty Stuations:

Product last output cable is not protected IP67-IP68.

Faulty electrical connecton.

Wrong IP68 socket-terminal block- plug connector connecton.
(Wrong opening of the cable length, fauly tightening the screws etc.)

If the IP68 Connecting kits are under water.

No drainage in the mounting hole.