



PRODUCT FEATURES:

iLia Smart is an interactive, modular lighting column designed for connectivity in cities and communities.

The top luminaire installation meets the specific functional and architectural requirements of each urban context.

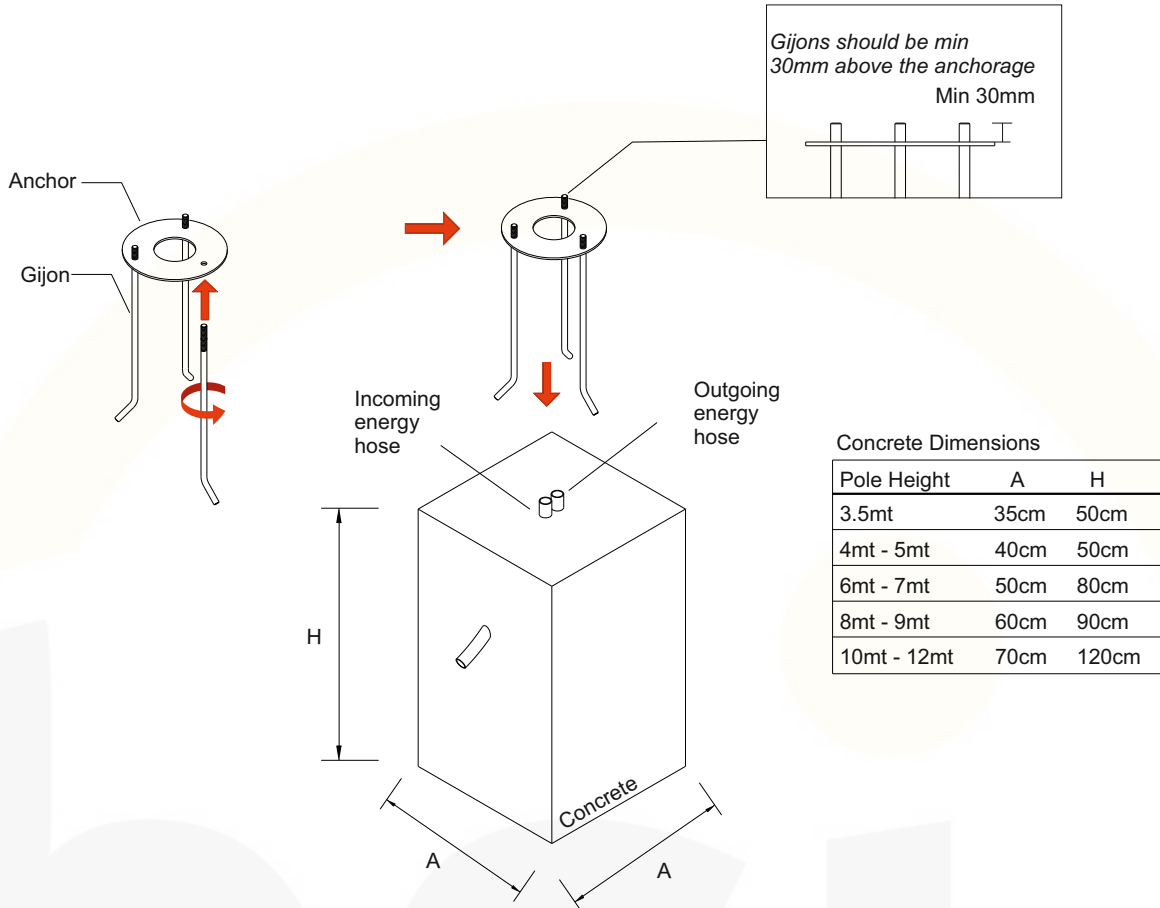
RECOMMENDATIONS FOR THE USER:

- 1) Before the installation, make sure that there is no voltage.
- 2) Do not touch the fitting when it is working on / switched on
- 3) Do not look at the fitting directly or from a short distance.
- 4) Disconnect / switch off the fitting before changing the lamps
- 5) The safety of this fixture is guaranteed only if you comply with these instructions.

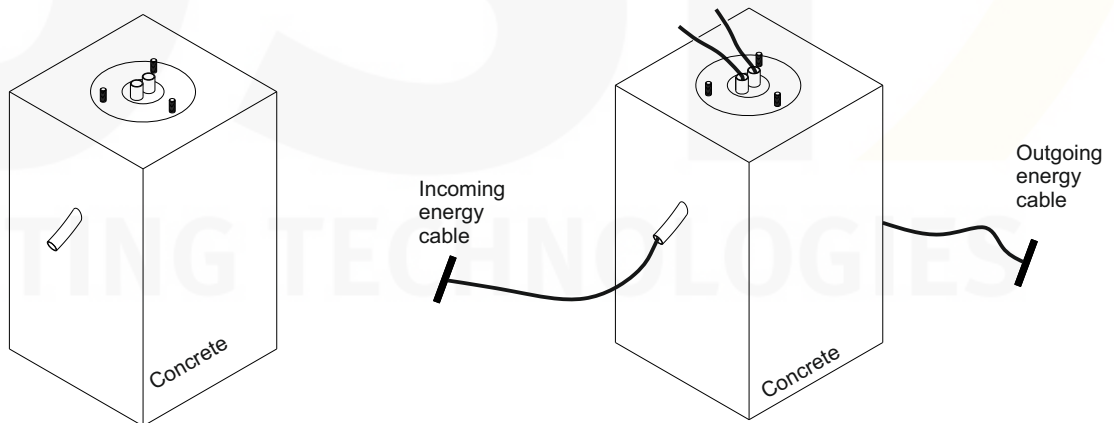
NOTES:

- Technical amendments are reserved.
- CE – Conformity mark
- The manufacturer is then discharged from liability when damage is caused by improper use or installation.
- Clean luminaire regularly with solvent-free cleansers from dirt and deposits. Do not use high pressure cleaners.
- Cleaning agents containing hydrochloric acid and chlorides should never be used.

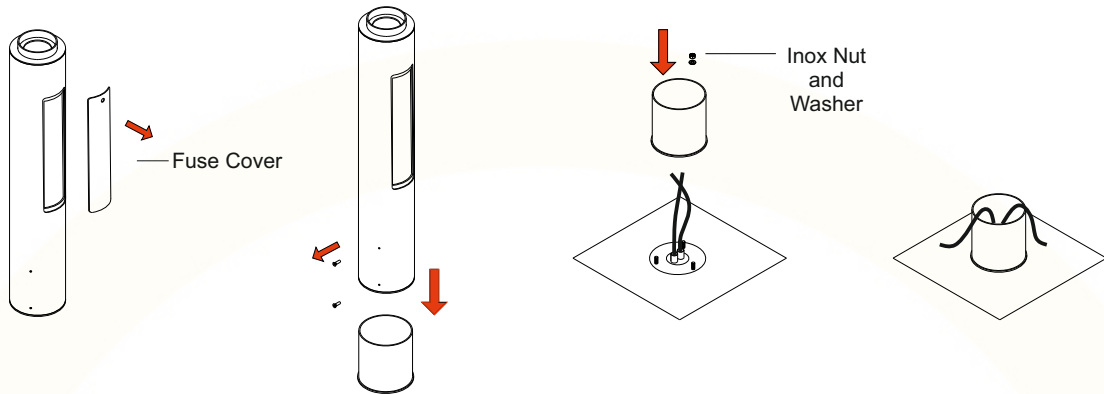
- 1) - The gijoons are screwed into the anchor.
- The prepared anchorage is embedded in the concrete.



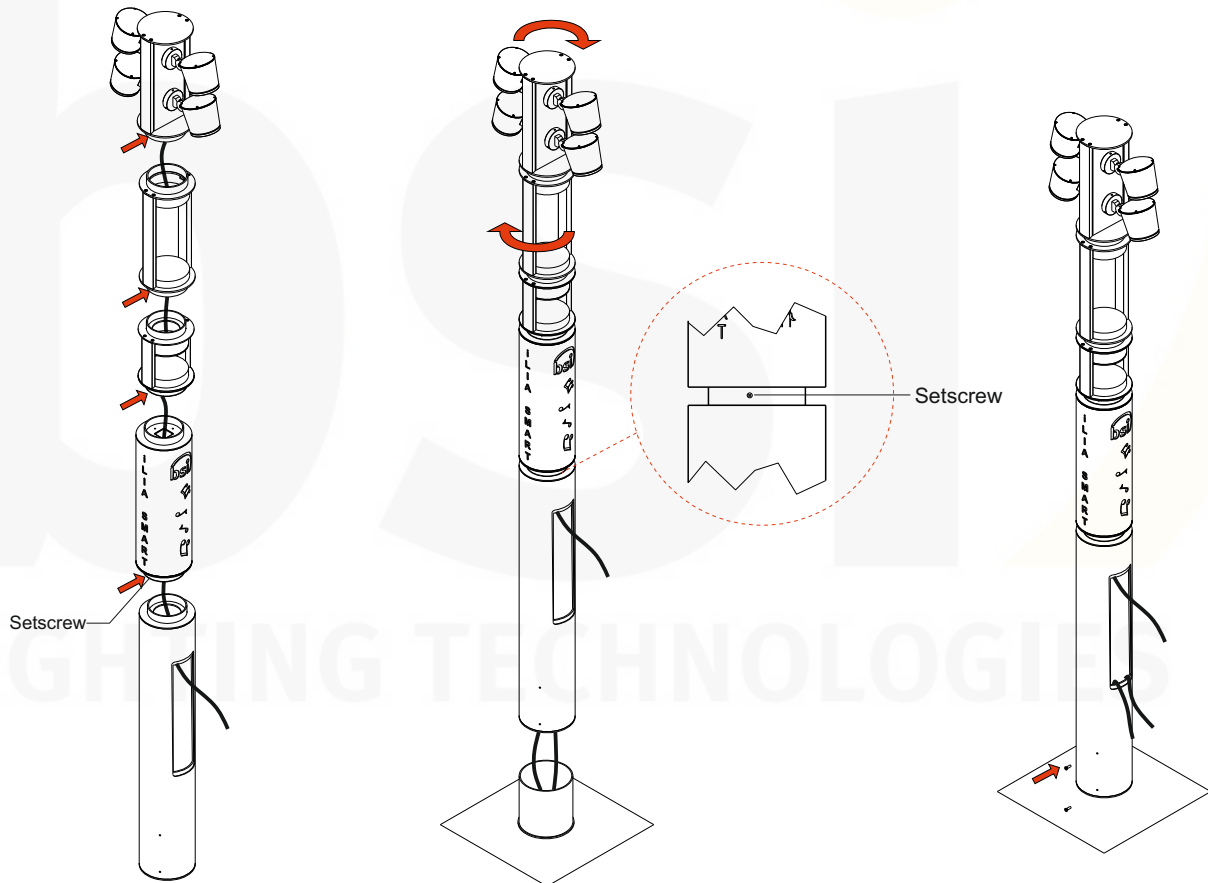
- 2) After the concrete has been dried, the electrical cables are pulled and the nuts are removed.



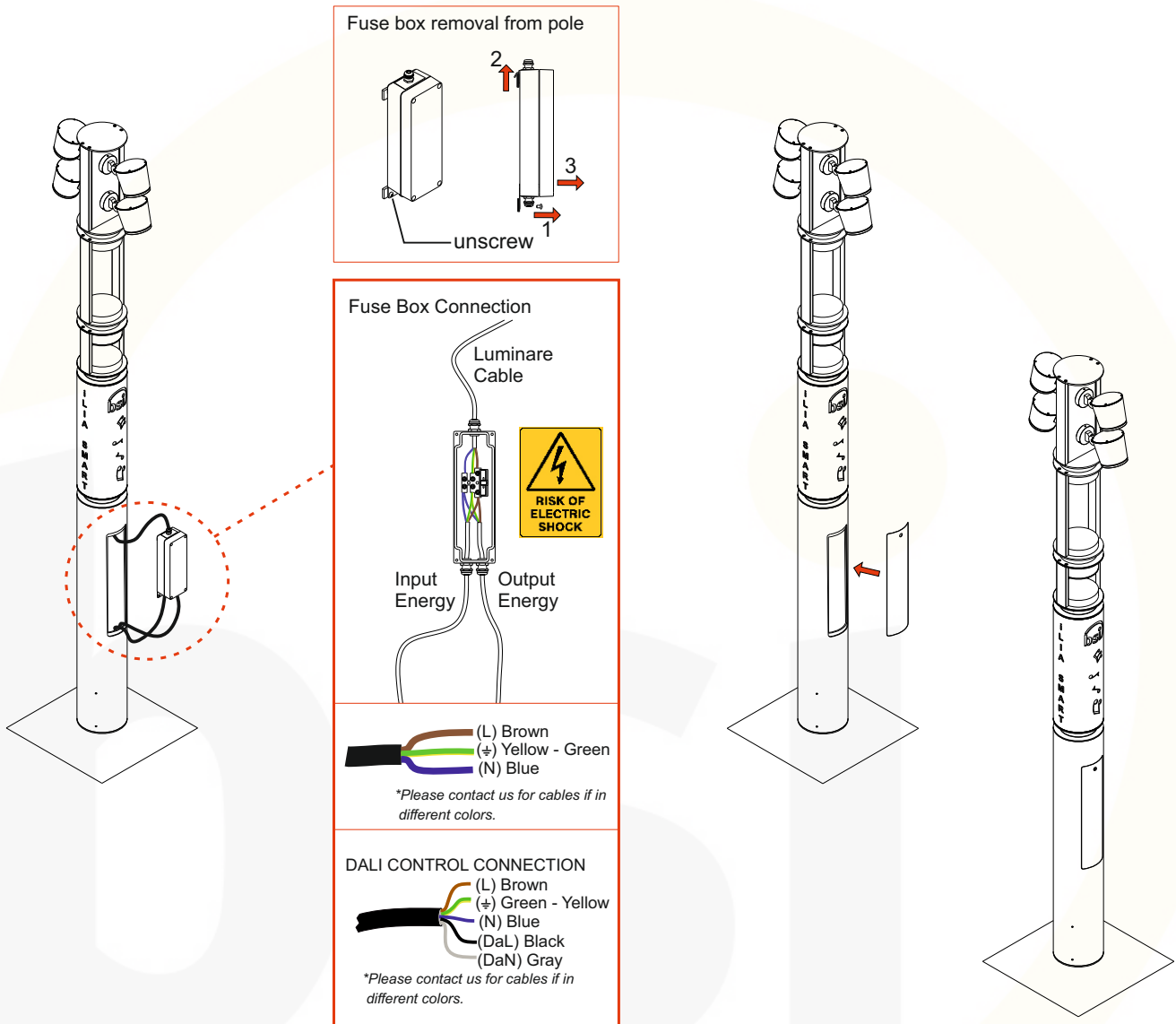
- 3) - Flange and fuse cover are removed from the pole and save the screws for reuse.
 - The flange is seated and screwed into the anchor with inox nuts and washers.



- 4) - The cables of each module are passed through other modules and collected at the bottom module.
 - The modules are rotated to the desired position and fixed with a set screw.
 - The incoming energy cable is passed through the pole and removed from the fuse cover.
 - The pole is placed on the flange and tighten the flange screws back.



5) Electrical connection is done and the fuse cover is seated in the place and tightened back.



LIGHTING TECHNOLOGIES

Warning:

- Do not cut-off or damage the cables of the products supplied as sockets. Otherwise, water may enter to the luminaire through cable and damage the electronic parts inside.
- If you make the electrical connecton, except for IP.68 Terminal Block - IP.68 Plug connector - IP.68 socket; the connectons must be under IP protecton. Otherwise, water may enter to the luminaire through cable and damage the electronic parts inside.
- The IP68 Connecting kits must be assembled in accordance with the installaton instructions. Otherwise, water may enter to the luminaire through cable and damage the electronic parts inside.

Out of Warranty Stuations:

Product last output cable is not protected IP67-IP68.

Faulty electrical connecton.

Wrong IP68 socket-terminal block- plug connector connecton.
(Wrong opening of the cable length, fauly tightening the screws etc.)

If the IP68 Connecting kits are under water.

LIGHTING TECHNOLOGIES