



## **PRODUCT FEATURES:**

A real dialogue between illumination and the environment. Compact drive-over and walk over inground recessed LED luminaire designed for illuminating building facades, green areas, parks and outdoor facilities.

With the use of high-power LEDs, the in-ground light range provides high luminosity at a low power consumption. Adapting a double insulation method, all in-ground lights have an IP67 ranking featuring thick tempered glass.

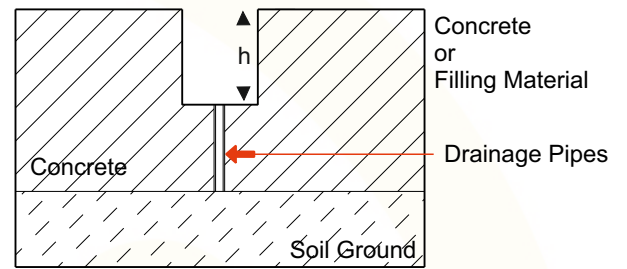
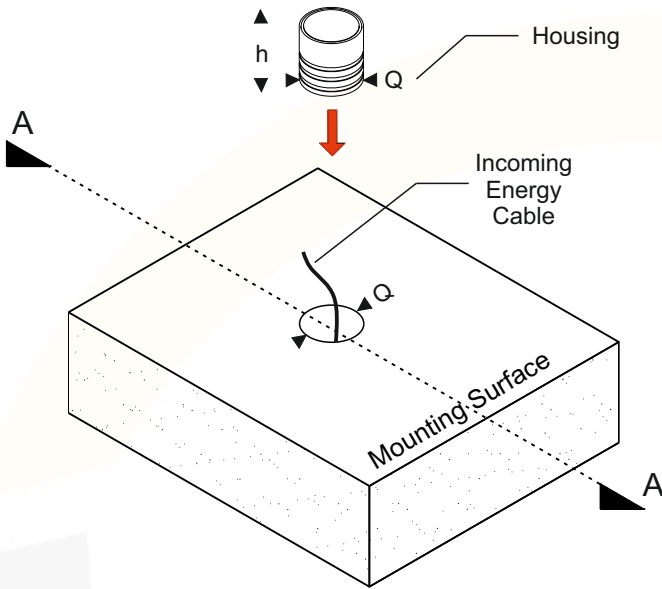
## **RECOMMENDATIONS FOR THE USER:**

- 1) Before the installation, make sure that there is no voltage.
- 2) Do not touch the fitting when it is working on / switched on
- 3) Do not look at the fitting directly or from a short distance.
- 4) Disconnect / switch off the fitting before changing the lamps
- 5) The safety of this fixture is guaranteed only if you comply with these instructions.

## **NOTES:**

- Technical amendments are reserved.
- CE – Conformity mark
- The manufacturer is then discharged from liability when damage is caused by improper use or installation.
- Clean luminaire regularly with solvent-free cleansers from dirt and deposits. Do not use high pressure cleaners.
- Cleaning agents containing hydrochloric acid and chlorides should never be used.

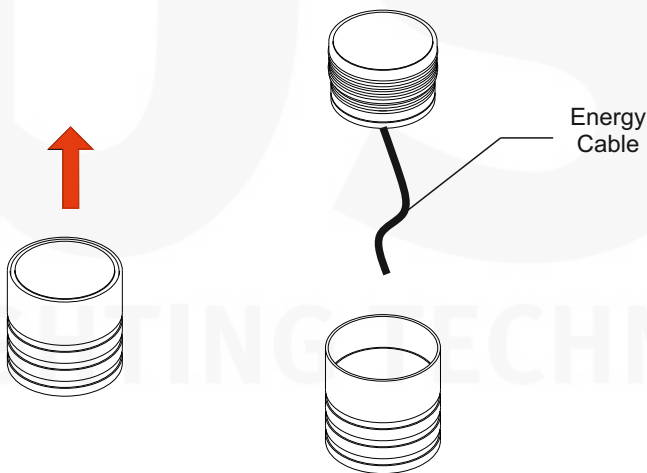
- 1) - A hole suitable for the product housing of the product is drilled on the mounting surface.
  - Drainage application must be done in to the hole.



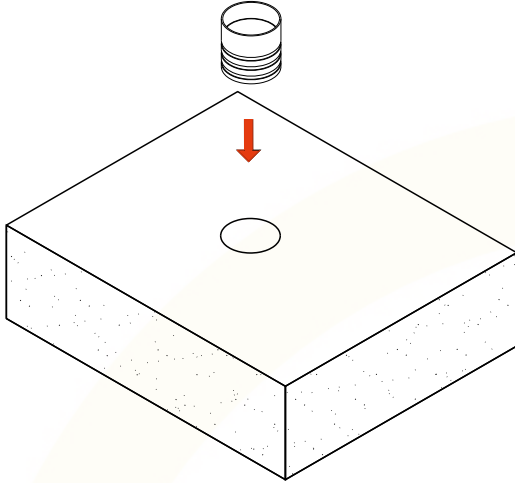
A-A

\*\*\* Mounting the hole should be drained.

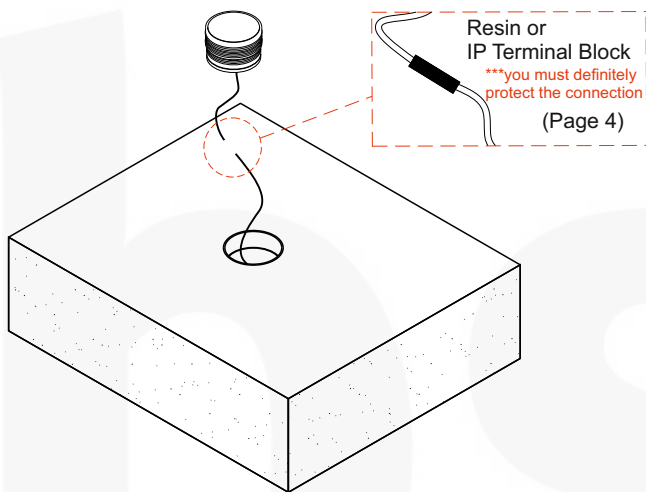
- 2) - The light fixture is separated from the housing.



3) The product housing is placed in the hole opened in the ground.


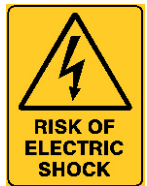


4) Electrical connection is done.




When connecting the luminaires, make sure that the same color cables are matching.

- (L) Brown
- (±) Yellow - Green
- (N) Blue

DALI CONTROL CONNECTION

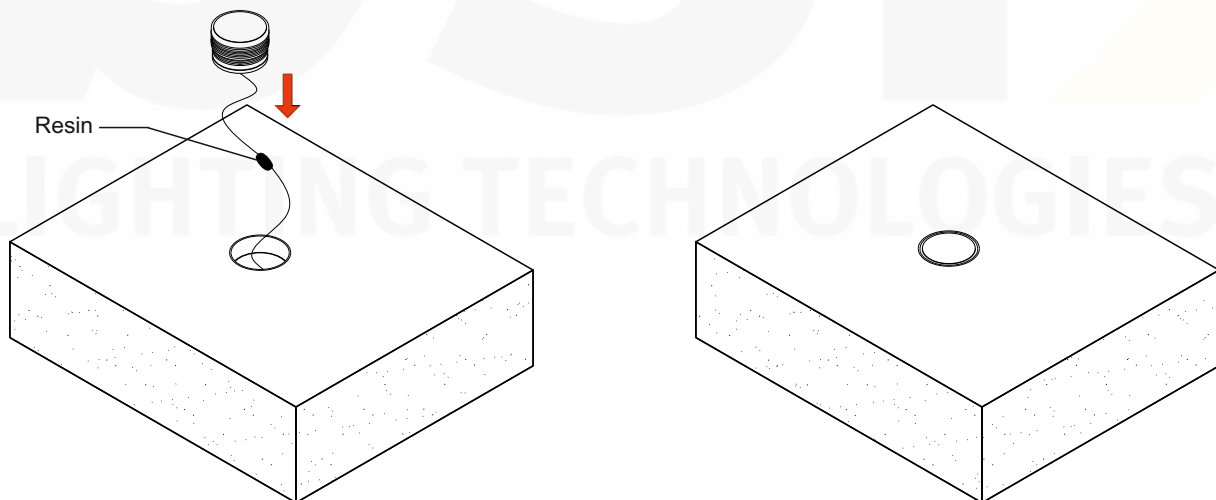
- (L) Brown
- (±) Green - Yellow
- (N) Blue
- (DaL) Black
- (DaN) Gray



\*Please contact us for cables if in different colors.



5) The luminaire is placed on the housing.



**1**

- Ø 7.0 + 9.0 mm
- Ø 9.0 + 12.0 mm
- ADAPTER HOLE Ø 9.0 mm
-

**2**

**Screw terminals**

**2-3-4 POLES**

① ↔ ①  
 ② ↔ ②  
 ③ ↔ ③  
 ④ ↔ ④

**2.1**

**Piercing terminals version**

20mm

**No unsheathing**

**3**

**4**

**Warning:**

- Do not cut-off or damage the cables of the products supplied as sockets. Otherwise, water may enter to the luminaire through cable and damage the electronic parts inside.
- If you make the electrical connecton, except for IP.68 Terminal Block - IP.68 Plug connector - IP.68 socket; the connectons must be under IP protecton. Otherwise, water may enter to the luminaire through cable and damage the electronic parts inside.
- The IP68 Connecting kits must be assembled in accordance with the installaton instructions. Otherwise, water may enter to the luminaire through cable and damage the electronic parts inside.
- Mounting hole should be drained.

**Out of Warranty Stuations:**

Product last output cable is not protected IP67-IP68.

Faulty electrical connecton.

Wrong IP68 socket-terminal block- plug connector connecton.  
(Wrong opening of the cable length, fauly tightening the screws etc.)

If the IP68 Connecting kits are under water.

No drainage in the mounting hole.