



PRODUCT FEATURES:

Wall light with minimal, contemporary aesthetics blends into any architectural environment.

Luminaires in various designs that set lighting accents on wall surfaces.

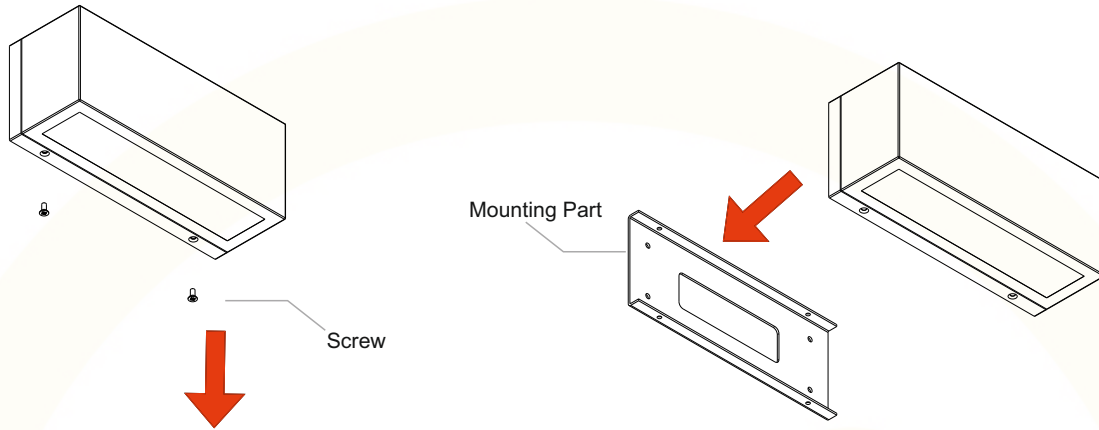
RECOMMENDATIONS FOR THE USER:

- 1) Before the installation, make sure that there is no voltage.
- 2) Do not touch the fitting when it is working on / switched on
- 3) Do not look at the fitting directly or from a short distance.
- 4) Disconnect / switch off the fitting before changing the lamps

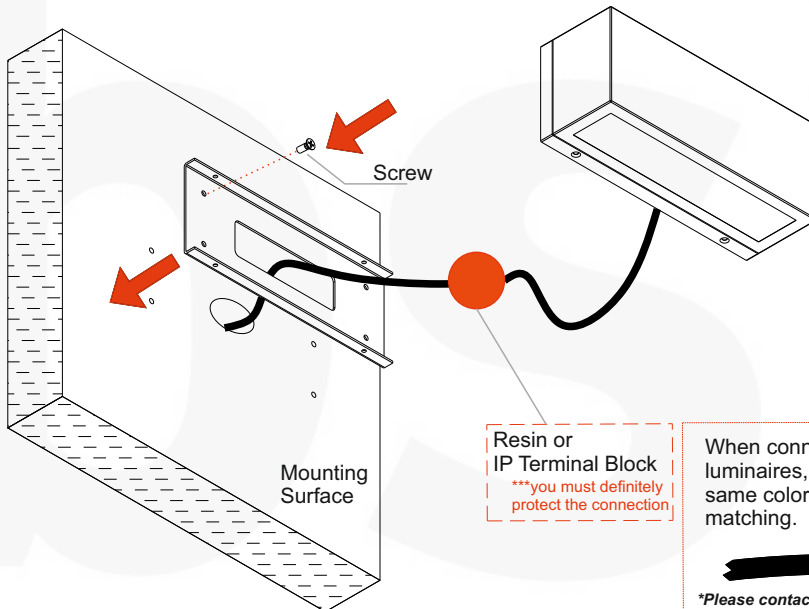
NOTES:

- Technical amendments are reserved.
- CE – Conformity mark
- The manufacturer is then discharged from liability when damage is caused by improper use or installation.
- Clean luminaire regularly with solvent-free cleansers from dirt and deposits. Do not use high pressure cleaners.

1) Unscrew the screws on the product and remove the mounting part.



2) -Screw the mounting part to the wall.
-Make the electrical connection.



Resin or IP Terminal Block
***you must definitely protect the connection

When connecting the luminaires, make sure that the same color cables are matching.

(L) Brown
(+) Green - Yellow
(N) Blue

*Please contact us for cables if in different colors.



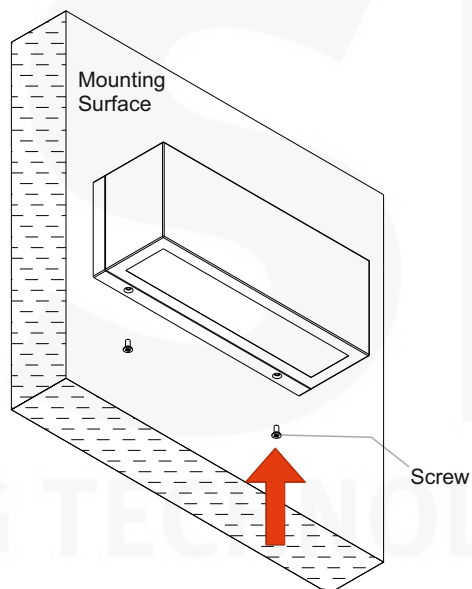
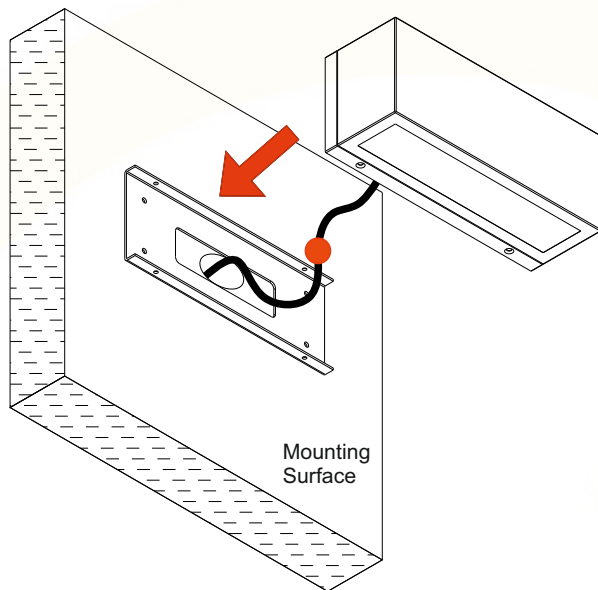
DALI CONTROL CONNECTION

(L) Brown
(+) Green - Yellow
(N) Blue
(DaL) Black
(DaN) Gray

*Please contact us for cables if in different colors.



3) Place the product on the mounting part and tighten the screws.



Considerations

- Do not cut-off or damage the cables of the products supplied as sockets. Otherwise, water may enter to the luminaire through cable and damage the electronic parts inside.
- If you make the electrical connection, except for IP.68 Terminal Block - IP.68 Plug connector - IP.68 socket; the connections must be under IP protection. Otherwise, water may enter to the luminaire through cable and damage the electronic parts inside.
- The IP68 Connecting kits must be assembled in accordance with the installation instructions. Otherwise, water may enter to the luminaire through cable and damage the electronic parts inside.
- The luminaire should not be opened and screws should not be loosened. If you want to open the luminaire, please contact our company.

Out of Warranty Situations

- Opening the product or loosening the screws.
- Product last output cable is not protected IP67-IP68.
- Faulty electrical connection.
- Wrong IP68 socket-terminal block- plug connector connection.
(Wrong opening of the cable length, faulty tightening the screws etc.)
- If the IP68 Connecting kits are under water.