



PRODUCT FEATURES:

iCubus provides a high-intensity wash of light with customisable beam angles for floodlighting, spotlighting, wall washing and grazing.

The head is adjustable, making it easy to focus incident light on the exposed element. Advanced thermal design with cutting edge manufacturing process and materials.

RECOMMENDATIONS FOR THE USER:

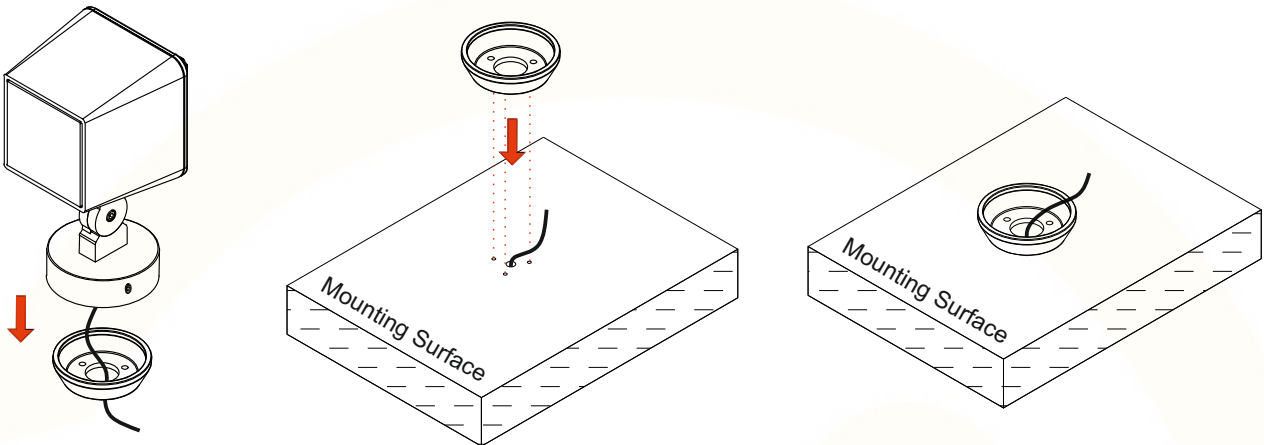
- 1) Before the installation, make sure that there is no voltage.
- 2) Do not touch the fitting when it is working on / switched on
- 3) Do not look at the fitting directly or from a short distance.
- 4) Disconnect / switch off the fitting before changing the lamps
- 5) The safety of this fixture is guaranteed only if you comply with these instructions.

NOTES:

- Technical amendments are reserved.
- CE – Conformity mark
- The manufacturer is then discharged from liability when damage is caused by improper use or installation.
- Clean luminaire regularly with solvent-free cleansers from dirt and deposits. Do not use high pressure cleaners.
- Cleaning agents containing hydrochloric acid and chlorides should never be used.

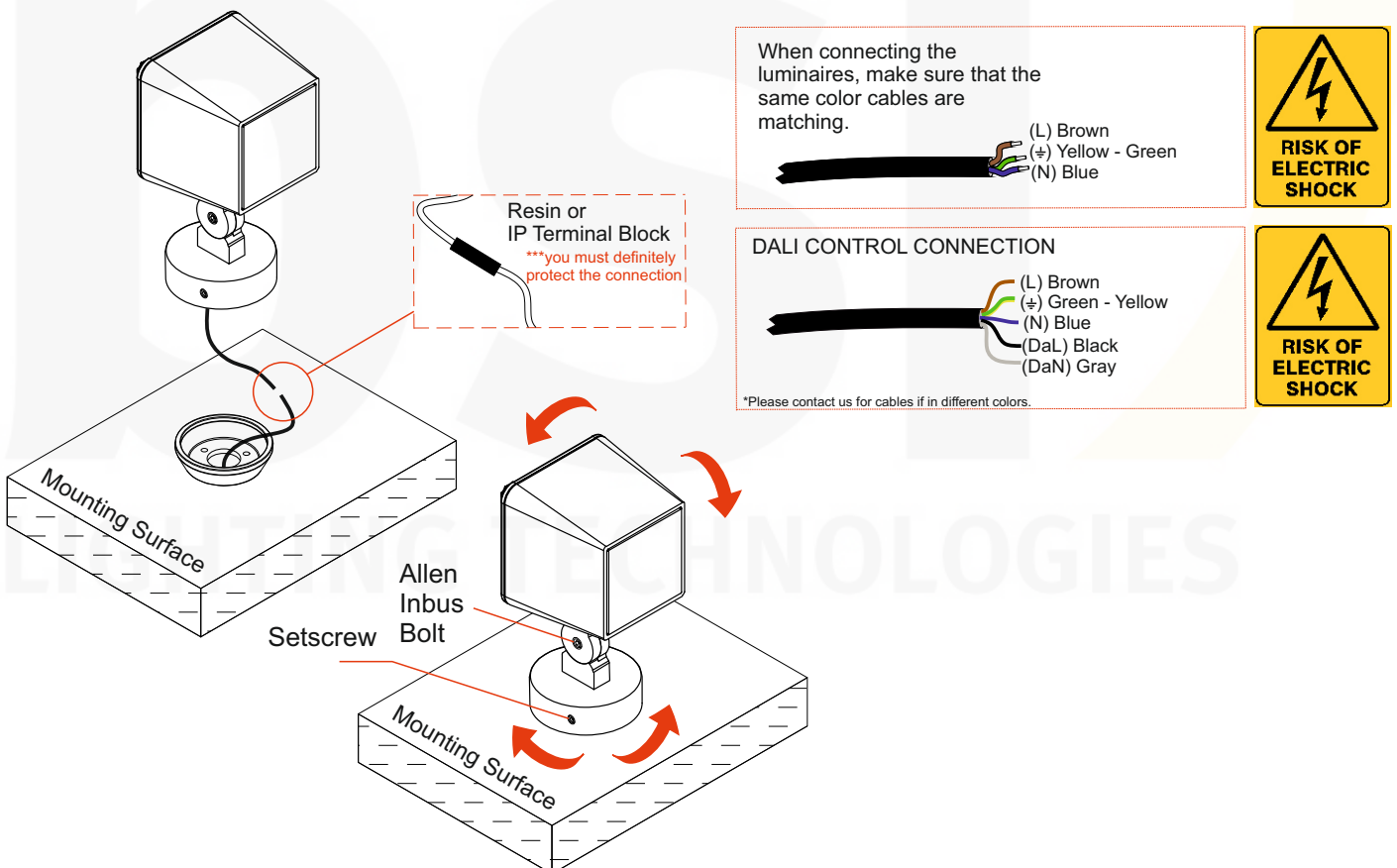
1) iCubus Rigid Floor Mounting is carried out as follows:

- Loosen the set screws on the luminaire sub-base and remove the mounting plate.
- Drill holes into the ground and insert the fixing plugs.
- Route the power cable from the floor through the center hole of the mounting plate, then secure it to the ground.



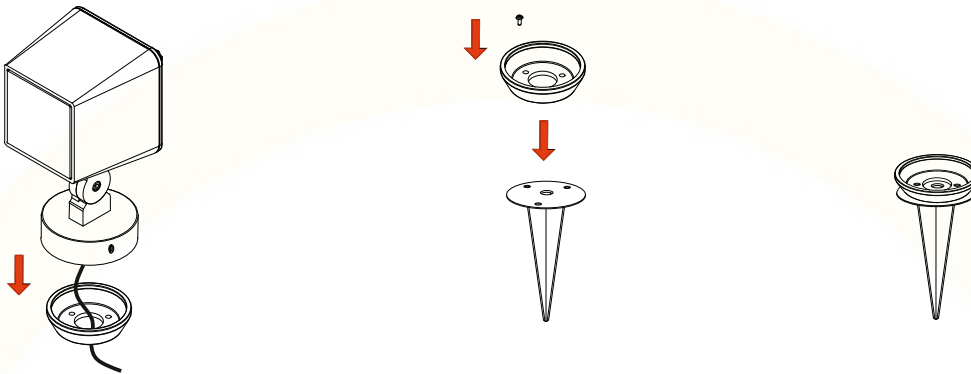
2) Electrical connection is completed.

- The luminaire is positioned in the desired direction by placing it onto the mounting base and rotating it left or right. Then, the setscrews on the base are re-tightened.
- The Allen (imbus) bolts on the joint are loosened, the luminaire is adjusted to the desired angle, and the bolts are tightened again.



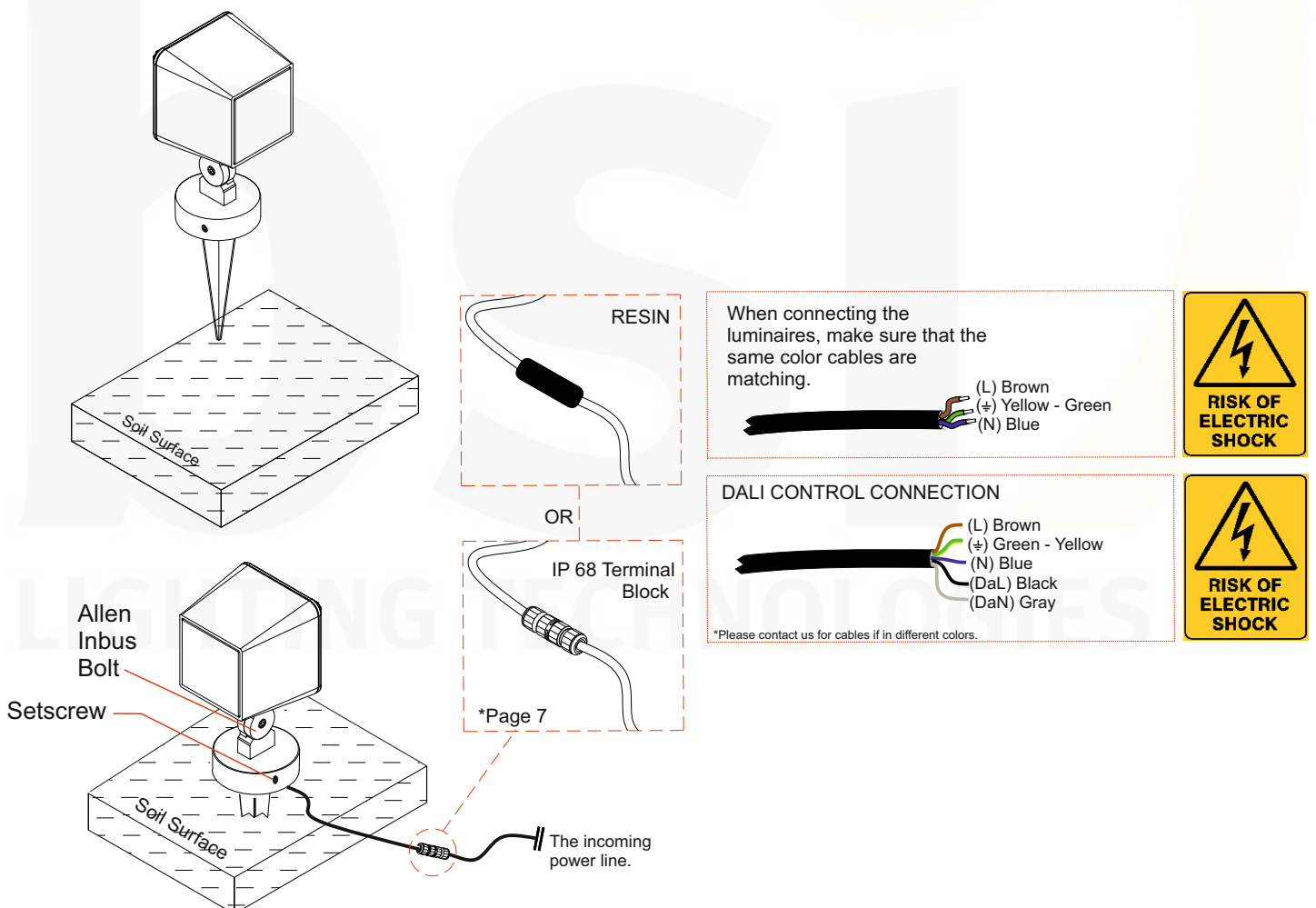
3) iCubus Pole Mounting is carried out as follows:

- The mounting base is removed by loosening the setscrews on the luminaire sub-base.
- The mounting base is fastened to the ground spike.
- The power cable is routed through the center hole of the mounting base, and the mounting base is reattached to the luminaire. Then, the setscrews are securely tightened.



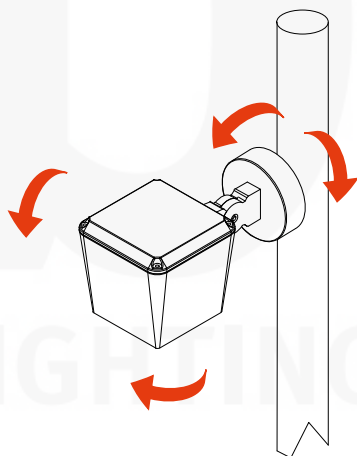
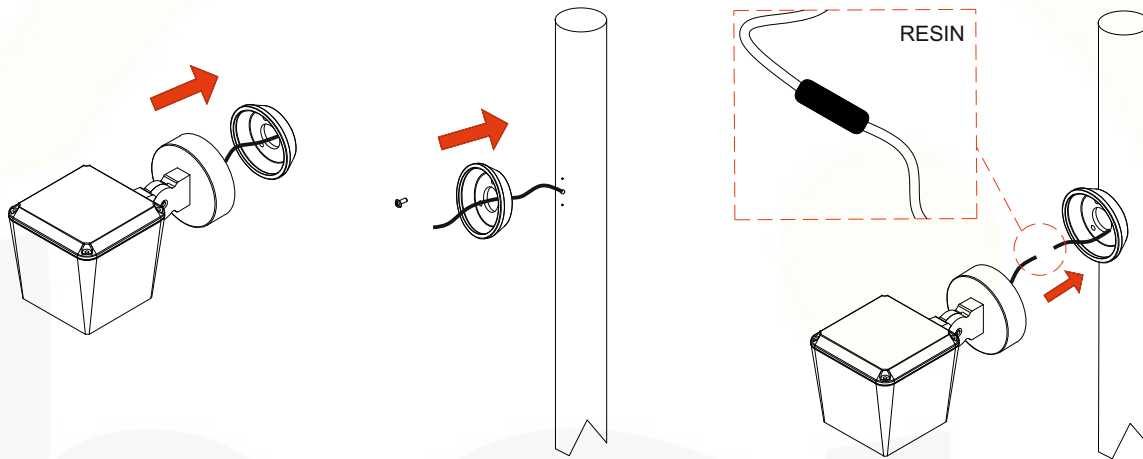
4) The luminaire is mounted to the ground.

- The Allen (imbus) bolts on the joint are loosened, the luminaire is adjusted to the desired angle, and the bolts are tightened.
- Electrical connection is completed.



5) Ergo Pole Mounting:

- The mounting base is removed by loosening the setscrews on the luminaire sub-base.
- The mounting base is fastened to the pole.
- Electrical connection is completed.
- The luminaire is positioned in the desired direction by placing it onto the mounting base and rotating it to the right or left. Then, the setscrews on the base are re-tightened.
- The Allen (imbus) bolts on the joint are loosened, the luminaire is adjusted to the desired angle, and the bolts are tightened.



When connecting the luminaires, make sure that the same color cables are matching.

(L) Brown
 (±) Yellow - Green
 (N) Blue



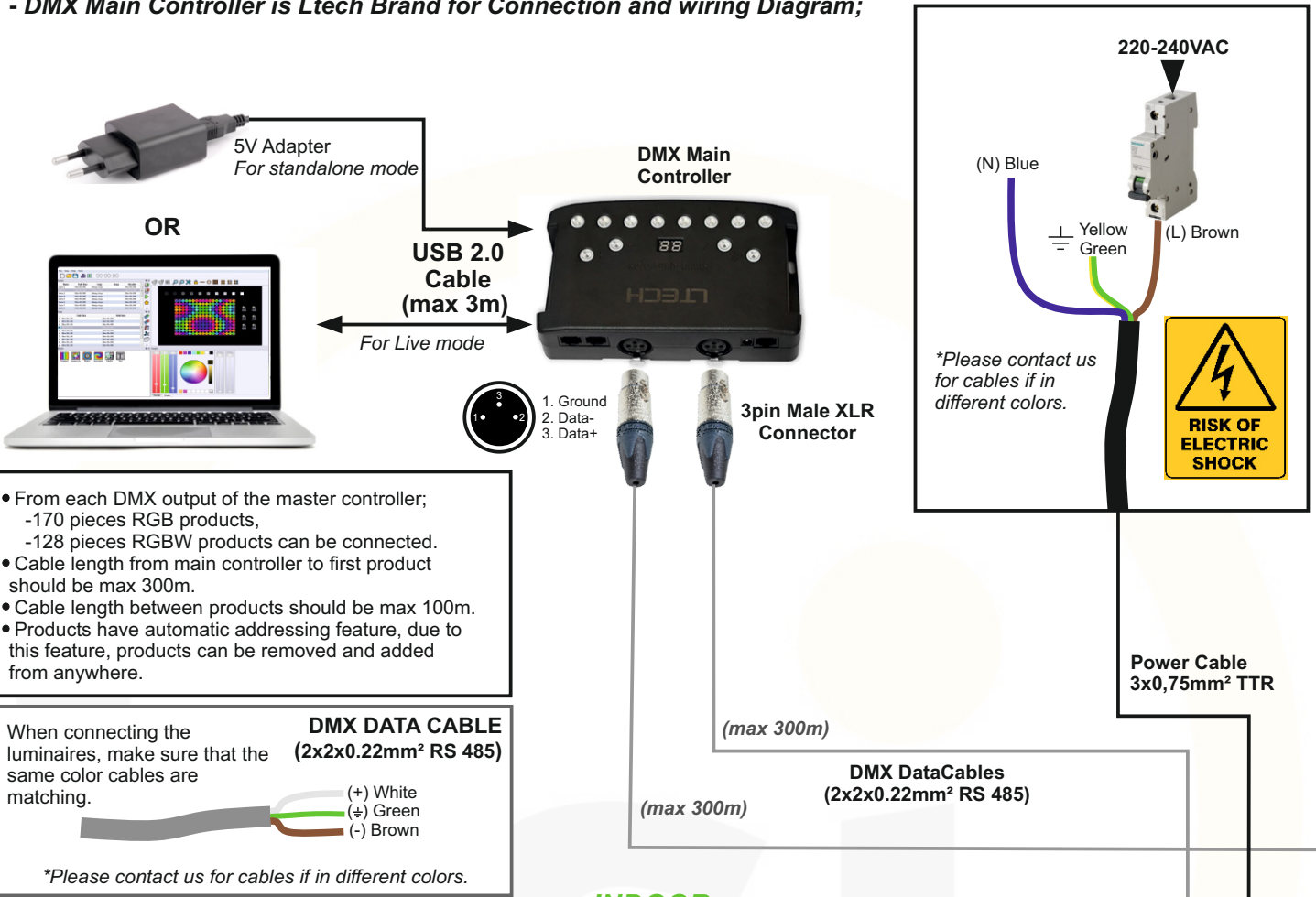
DALI CONTROL CONNECTION

(L) Brown
 (±) Green - Yellow
 (N) Blue
 (DaL) Black
 (DaN) Gray



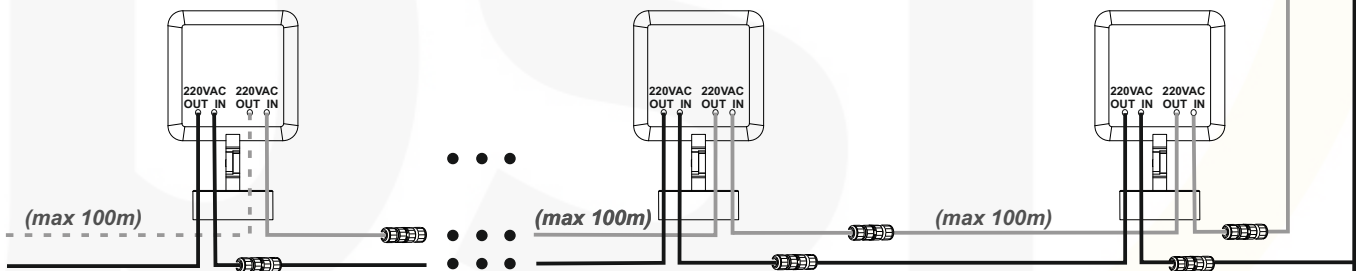
*Please contact us for cables if in different colors.

- DMX Main Controller is Ltech Brand for Connection and wiring Diagram;

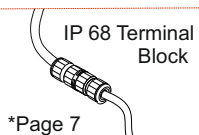
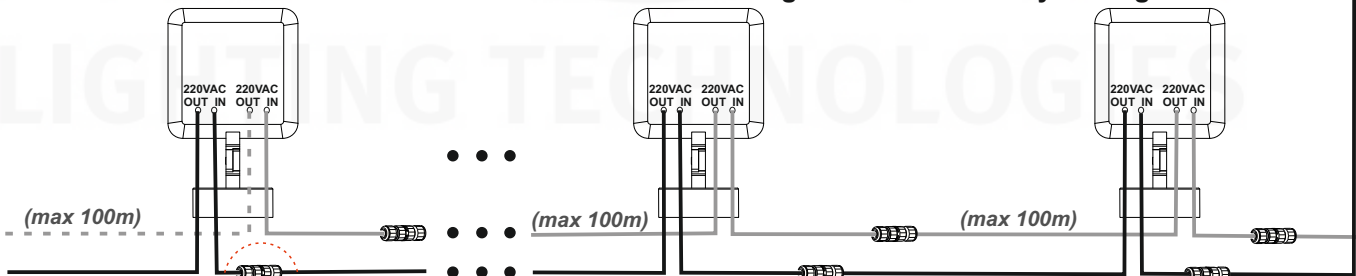


INDOOR

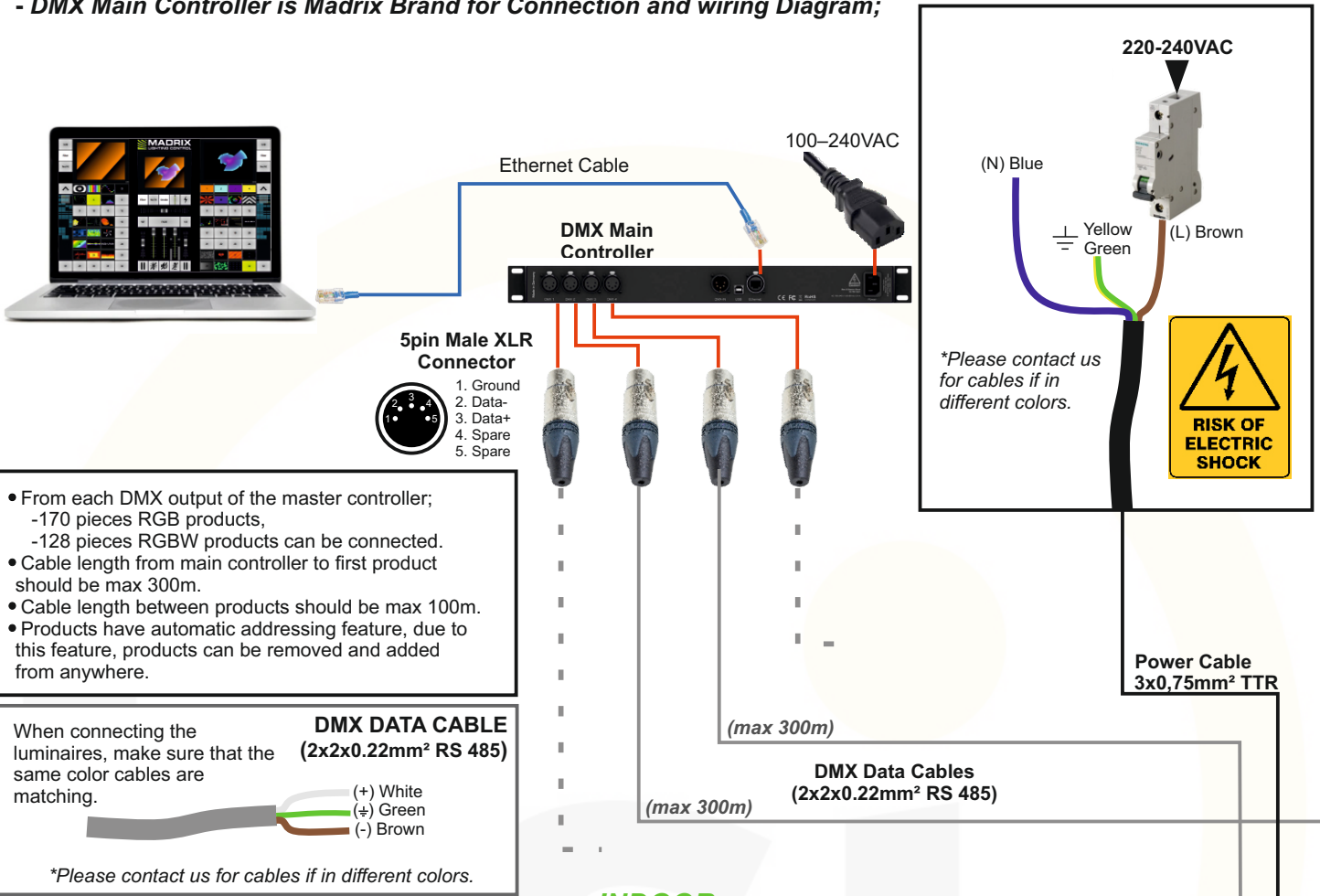
OUTDOOR



***The luminaires make automatic addressing. It doesn't need any sorting.**

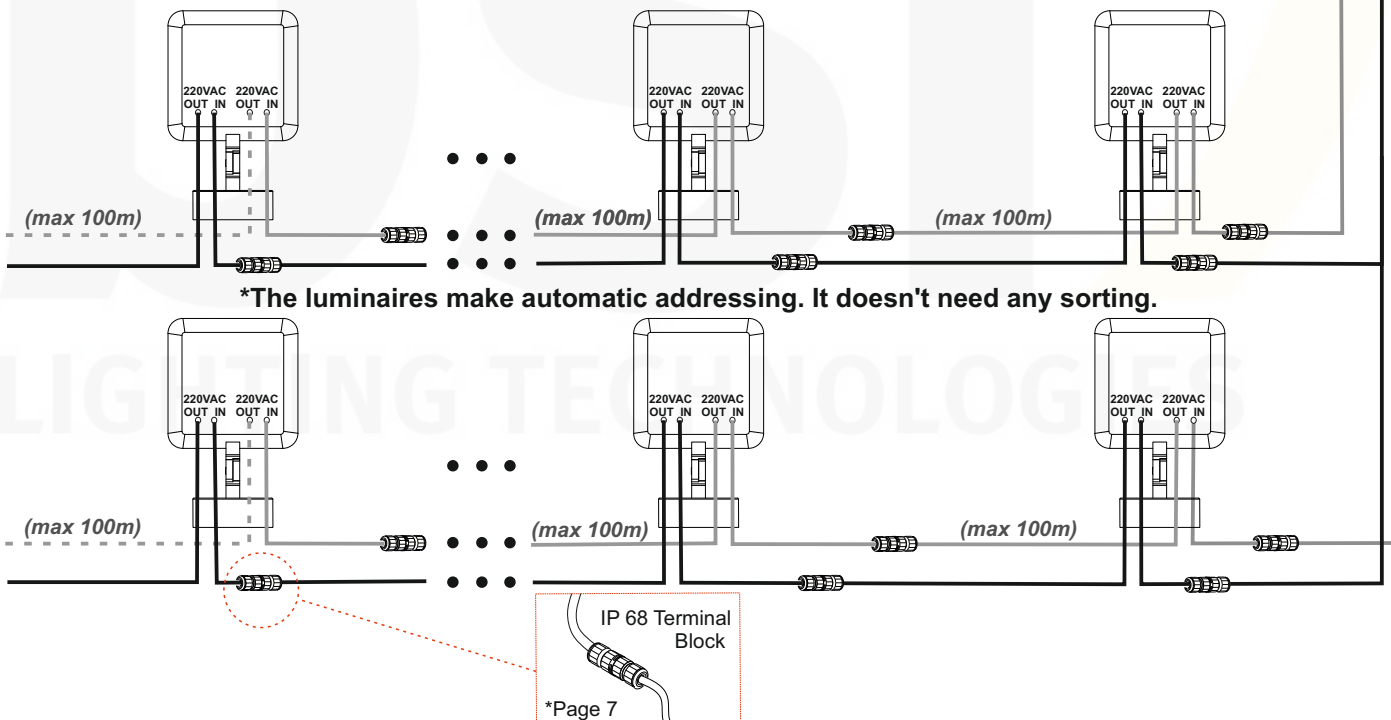


- DMX Main Controller is Madrix Brand for Connection and wiring Diagram;



INDOOR

OUTDOOR



TH9
2-3-4 POLES

1

ADAPTER HOLE
Ø 9.0 mm

2

Screw terminals

2-3-4 POLES

①	←	①
②	←	②
③	←	③
⊕	←	④

2.1
Piercing terminals version

No unsheathing

3

4

Warning:

- Do not cut-off or damage the cables of the products supplied as sockets. Otherwise, water may enter to the luminaire through cable and damage the electronic parts inside.
- If you make the electrical connecton, except for IP.68 Terminal Block - IP.68 Plug connector - IP.68 socket; the connectons must be under IP protecton. Otherwise, water may enter to the luminaire through cable and damage the electronic parts inside.
- The IP68 Connecting kits must be assembled in accordance with the installaton instructions. Otherwise, water may enter to the luminaire through cable and damage the electronic parts inside.
- The luminaire should not be opened and screws should not be loosened. If you want to open the luminaire, please contact our company

Out of Warranty Stuations:

- Opening the product or loosening the screws.
- Product last output cable is not protected IP67-IP68.
- Faulty electrical connecton.
- Wrong IP68 socket-terminal block- plug connector connecton.
(Wrong opening of the cable length, fauly tightening the screws etc.)
- If the IP68 Connecting kits are under water.