



PRODUCT FEATURES:

The uniquely modern iCali outdoor bollard features a sleek aluminium surface with a range of customised shapes, ideal for lighting modern and architectural streets, squares, parks, public areas and entryways.

Circular column with decorative patterns and unique pieces offer a special lighting creativity wherever they are installed.

Designed to last in extremely harsh environments.

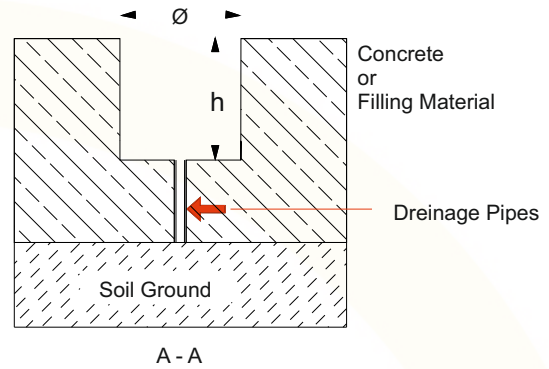
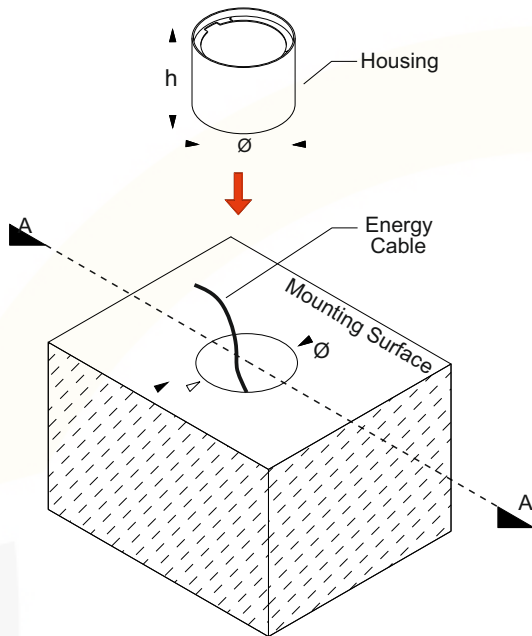
RECOMMENDATIONS FOR THE USER:

- 1) Before the installation, make sure that there is no voltage.
- 2) Do not touch the fitting when it is working on / switched on
- 3) Do not look at the fitting directly or from a short distance.
- 4) Disconnect / switch off the fitting before changing the lamps
- 5) The safety of this fixture is guaranteed only if you comply with these instructions.

NOTES:

- Technical amendments are reserved.
- CE – Conformity mark
- The manufacturer is then discharged from liability when damage is caused by improper use or installation.
- Clean luminaire regularly with solvent-free cleansers from dirt and deposits. Do not use high pressure cleaners.
- Cleaning agents containing hydrochloric acid and chlorides should never be used.

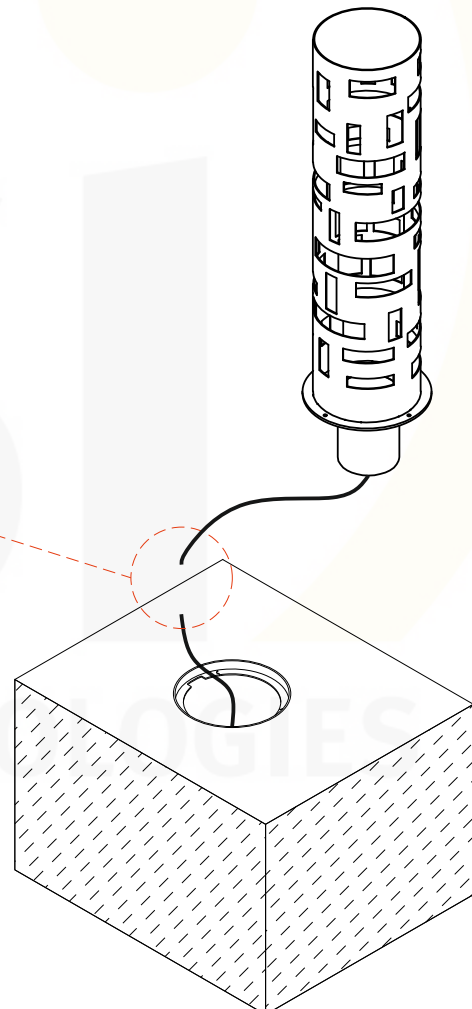
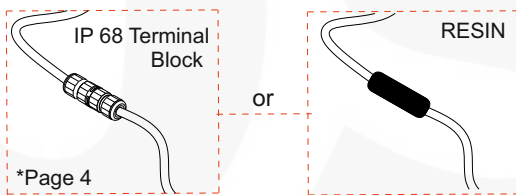
- 1) - Mounting hole is opens.
 - Complete the drainage and place the housing.



*** Mounting hole should be drained.

- 2) Electrical connection is done.

***The electrical connection must be under IP protection. Otherwise, water may enter to the luminaire through cable and damage the electronic parts inside.



When connecting the luminaires, make sure that the same color cables are matching.

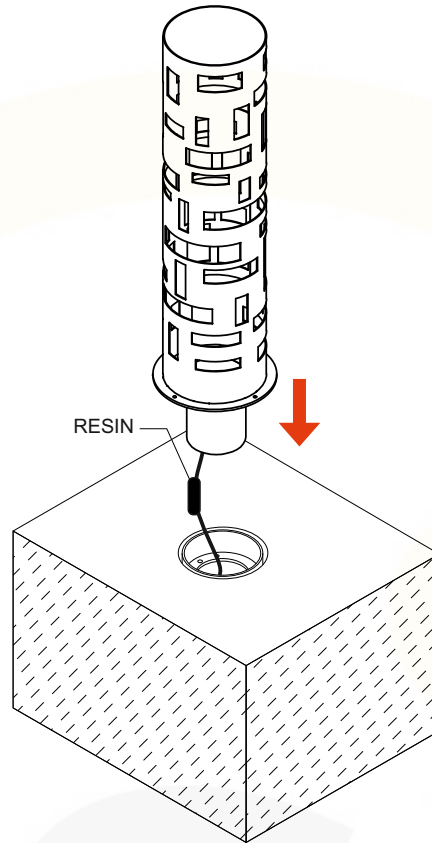


DALI CONTROL CONNECTION

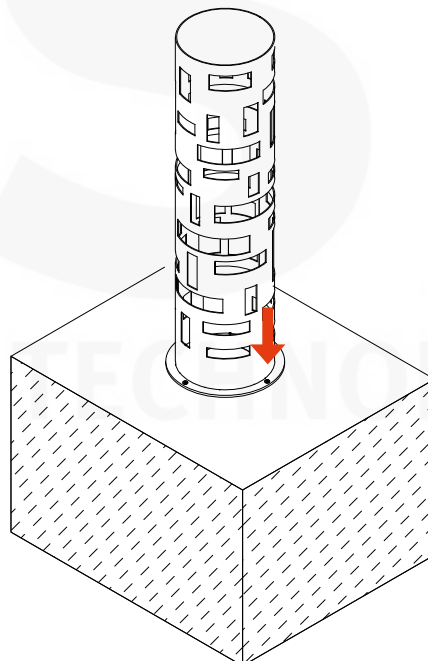


*Please contact us for cables if in different colors.

3) The luminaire is placed on the housing.



4) The luminaire is secured by tightening the screws.



Warning:

- Do not cut-off or damage the cables of the products supplied as sockets. Otherwise, water may enter to the luminaire through cable and damage the electronic parts inside.
- If you make the electrical connecton, except for IP.68 Terminal Block - IP.68 Plug connector - IP.68 socket; the connectons must be under IP protecton. Otherwise, water may enter to the luminaire through cable and damage the electronic parts inside.
- The IP68 Connecting kits must be assembled in accordance with the installaton instructions. Otherwise, water may enter to the luminaire through cable and damage the electronic parts inside.
- Mounting hole should be drainaged.

Out of Warranty Stuations:

Product last output cable is not protected IP67-IP68.

Faulty electrical connecton.

Wrong IP68 socket-terminal block- plug connector connecton.
(Wrong opening of the cable length, fauly tightening the screws etc.)

If the IP68 Connecting kits are under water.

No drainage in the mounting hole.