



PRODUCT FEATURES:

The cylindrical iAlbus bollard luminaires with diffusers are used to illuminate open areas with particularly high visual comfort.

Their innovative lighting technology combines the highest precision and efficiency in a compact luminaire.

Designed with comfort reflectors that provide 360° distribution and direct the light entirely onto the walking area, ensuring great performance without glare or light pollution.

Designed to last in extremely harsh environments.

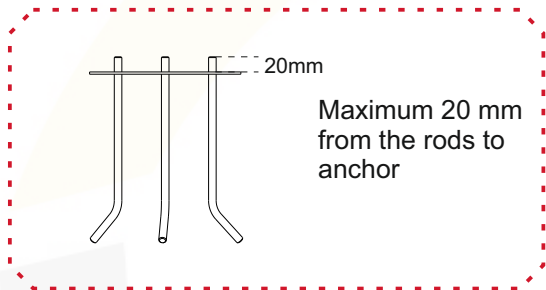
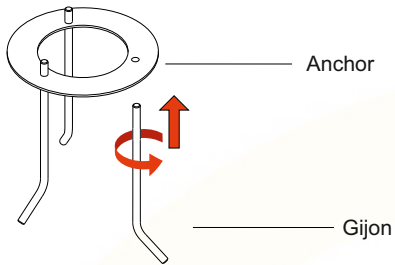
RECOMMENDATIONS FOR THE USER:

- 1) Before the installation, make sure that there is no voltage.
- 2) Do not touch the fitting when it is working on / switched on
- 3) Do not look at the fitting directly or from a short distance.
- 4) Disconnect / switch off the fitting before changing the lamps
- 5) The safety of this fixture is guaranteed only if you comply with these instructions.

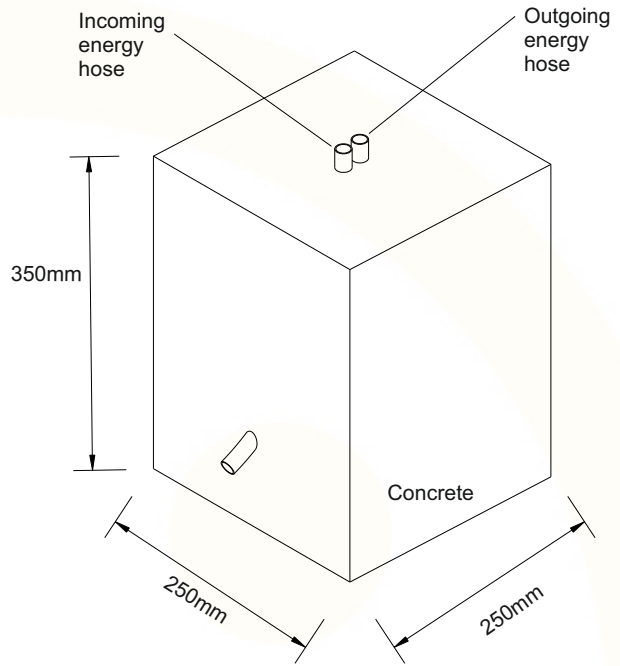
NOTES:

- Technical amendments are reserved.
- CE – Conformity mark
- The manufacturer is then discharged from liability when damage is caused by improper use or installation.
- Clean luminaire regularly with solvent-free cleansers from dirt and deposits. Do not use high pressure cleaners.
- Cleaning agents containing hydrochloric acid and chlorides should never be used.

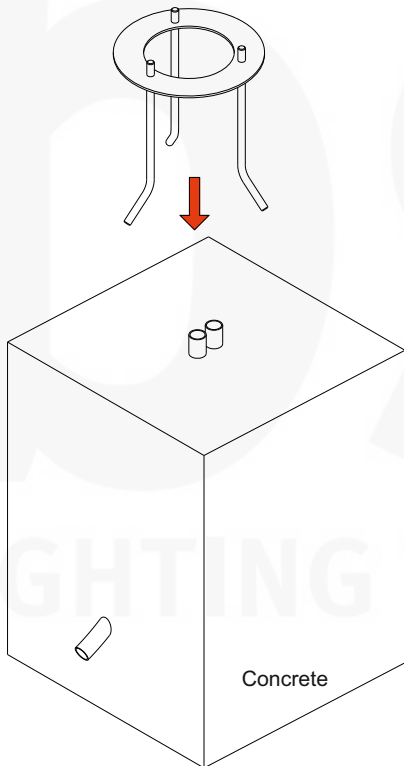
1) - The gijons are screwed into the anchor.



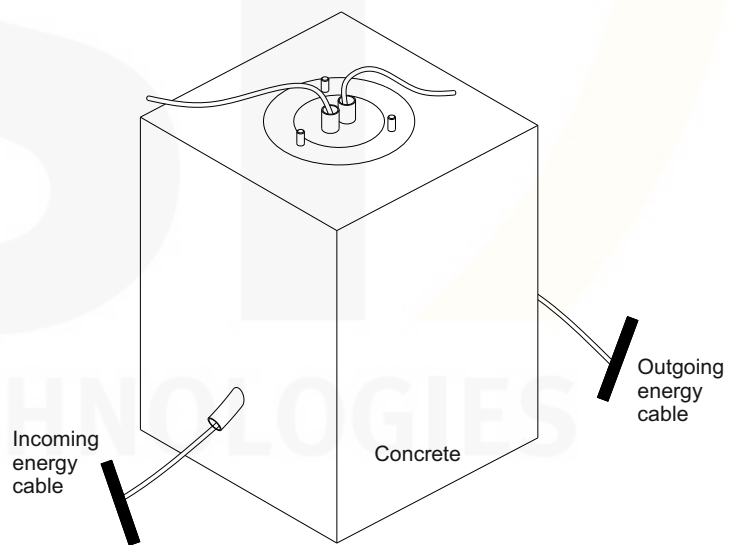
2) The incoming energy hoses are drawn to the installation floor and the concrete is poured



3) - The prepared anchor is embedded in the concrete and leveled.

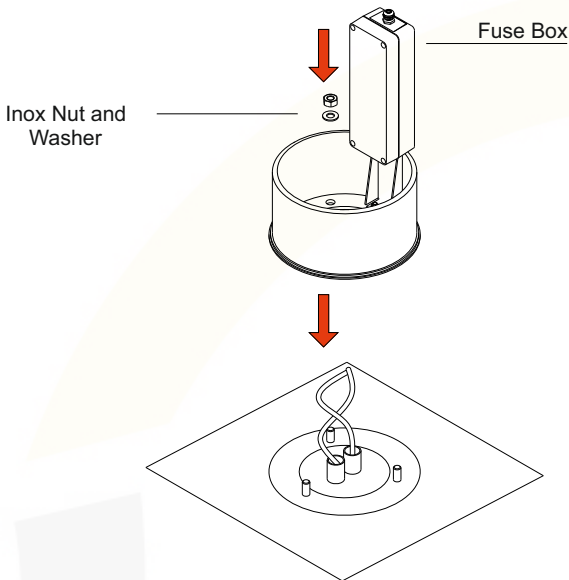


4) After the concrete is dried, the energy cable is done.

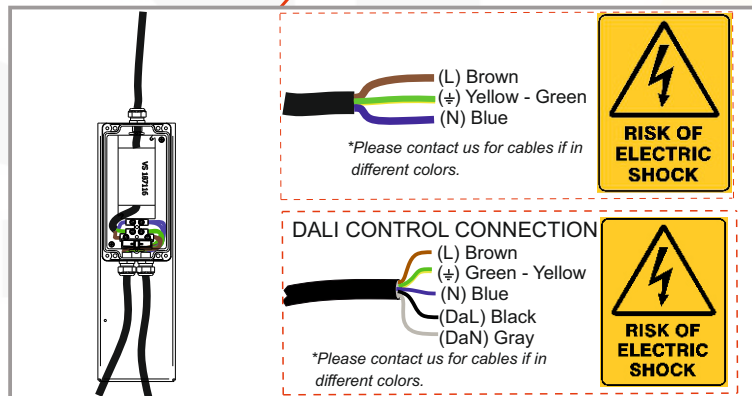
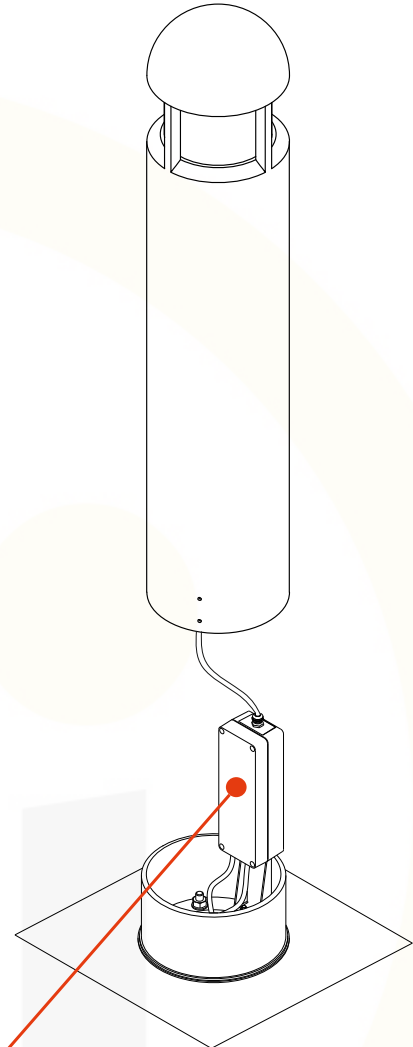
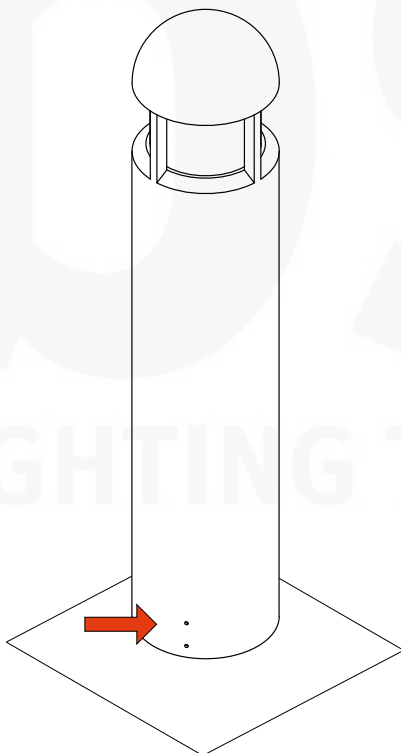


5) The flange is seated on the anchor and the new inox washer is tightened to the threads.

6) Electrical connection is done and luminaire is placed on the flange.



7) Luminaire is fixed to the flange with fastening the setscrews below.



Warning:

- Do not cut-off or damage the cables of the products supplied as sockets. Otherwise, water may enter to the luminaire through cable and damage the electronic parts inside.
- If you make the electrical connecton, except for IP.68 Terminal Block - IP.68 Plug connector - IP.68 socket; the connectons must be under IP protecton. Otherwise, water may enter to the luminaire through cable and damage the electronic parts inside.
- The IP68 Connecting kits must be assembled in accordance with the installaton instructions. Otherwise, water may enter to the luminaire through cable and damage the electronic parts inside.

Out of Warranty Stuations:

Product last output cable is not protected IP67-IP68.

Faulty electrical connecton.

Wrong IP68 socket-terminal block- plug connector connecton.
(Wrong opening of the cable length, fauly tightening the screws etc.)

If the IP68 Connecting kits are under water.

LIGHTING TECHNOLOGIES