

## Urban & Area

iRackett is a modular urban lighting system with the perfect combination of design and innovation. The different installation configurations and the wide range of optics ensure lighting for urban environments that guarantees energy savings and respect for the ecosystem. The compact design and reduced size of the luminaire allow its addition with balance and discretion to any urban context, from big cities to small district towns.

Architectural LED lighting luminaire range inspires architects, designers and system integrators with its exceptional quality, a variety of beam angles and remarkable creativity.

### Innovative and Effective

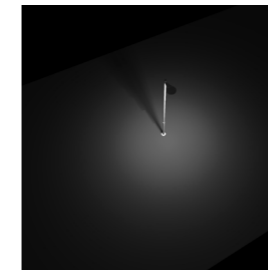
iRackett has been designed to offer better lighting performances, simplify the installation and the maintenance of the lighting devices and promote the maximum energy-saving. It is the ideal solution to all types of urban and interurban road lighting, round-about, outdoor areas and parking lots, both for new and existing installations.

The luminaire with stylized appearance and with improvements in installation, maintenance and service life offers a wide variety of light distributions that ensure effective values, visual comfort and light output for pedestrian areas and streets without light pollution. The possibility to use various photometric distribution with optional mounting heights allows designers to illuminate differing urban spaces with original system configurations.

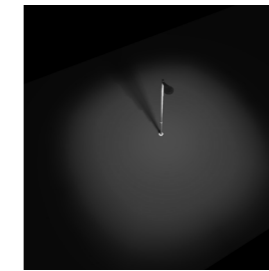
### Modern Design and Easy to Install

The modernly designed luminaire, which is equipped with an integral power supply unit, is optionally available with DALI control or in the user-friendly On-Off version.

The product is supplied pre-wired, permitting simple, rapid and safe installation.



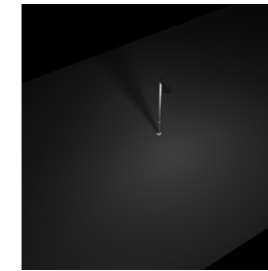
60 degree



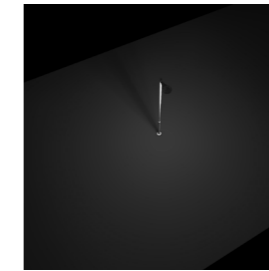
90 degree



Available in Black colour



Asymmetric M3



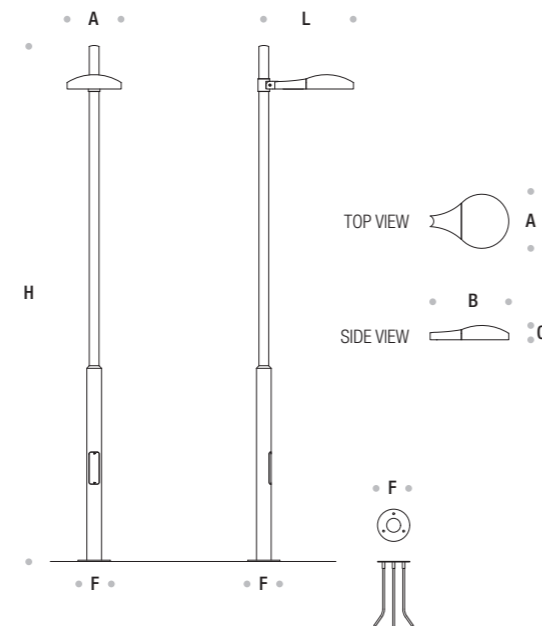
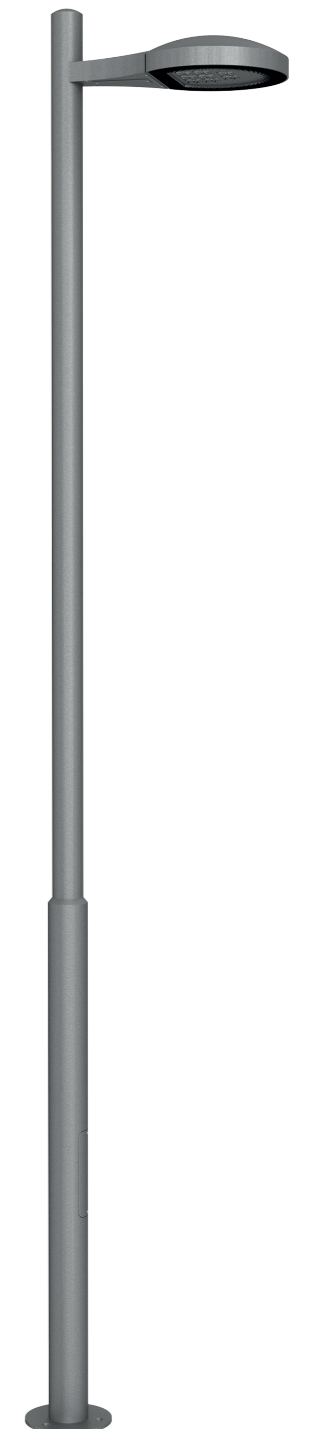
M3



Available in Corten colour



Available in Silver colour



iRackett								
Codes	Power	Colour Temperature	A (mm)	B (mm)	C (mm)	L (mm)	H (mm)	F (mm)
UA1681	112W	3000K / 4000K	420	610	110	672	6000 / 10000	250 - 350
UA1682	144W	3000K / 4000K	420	610	110	672	6000 / 10000	250 - 350
UA1683	172W	3000K / 4000K	420	610	110	672	6000 / 10000	250 - 350

\*Poles to be ordered separately. See tables on pages 470 - 475.



### Technical Features

Corrosion resistant double layer polyester powder coated paint finish die cast aluminium housing with stainless steel screws (A4 grade) and silicone gaskets. Power unit is built in. Available in anthracite gray as a standard finish or any desired RAL colour. BSISQ® LED Module.

LED MacAdam Step 3

Nominal Voltage 220V-240V AC, 50/60Hz

Operating Temperature -40°C / +55°C

Control Systems 1-10V DIM, DALI Interface

Protection Class IP66

Impact Resistance IK08

Insulation Class I

Complies with EN60598 and relevant standards.

iRackett



For detailed information about the iRackett