

Urban & Area

iFly has high-performance optics and is suitable for environmentally compatible management of public lighting. The light emission is directed completely downwards to ensure powerful light distribution and the compact design and reduced size of the luminaire allow its addition with balance and discretion to any urban context, from big cities to small district towns.

Architectural LED lighting luminaire range inspires architects, designers and system integrators with its exceptional quality, a variety of beam angles and remarkable creativity.

Clear and Powerful

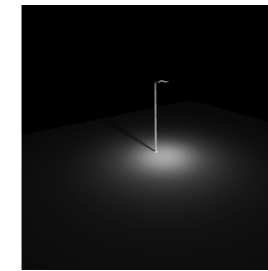
iFly has been designed to offer better lighting performances, simplify the installation and the maintenance of the lighting devices and promote the maximum energy-saving. It is the ideal solution to all types of urban and interurban road lighting, round-about, outdoor areas and parking lots, both for new and existing installations.

The luminaire with stylized appearance and with improvements in installation, maintenance and service life offers a wide variety of light distributions that ensure effective values, visual comfort and light output for pedestrian areas and streets without light pollution. The possibility to use various photometric distribution with optional mounting heights allows designers to illuminate differing urban spaces with original system configurations.

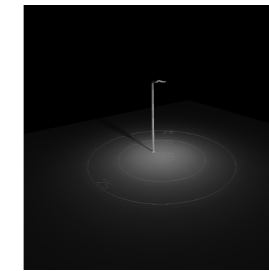
Modern Design and Easy to Install

The modernly designed luminaire, which is equipped with an integral power supply unit, is optionally available with DALI control or in the user-friendly On-Off version.

The product is supplied pre-wired, permitting simple, rapid and safe installation.



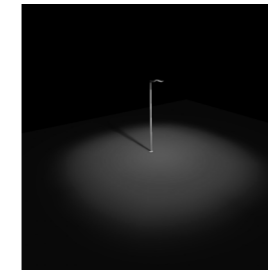
40 degree



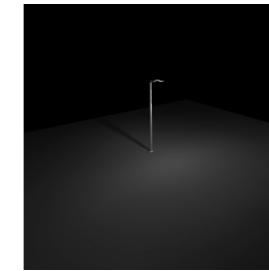
60 degree



Available in Black colour



90 degree



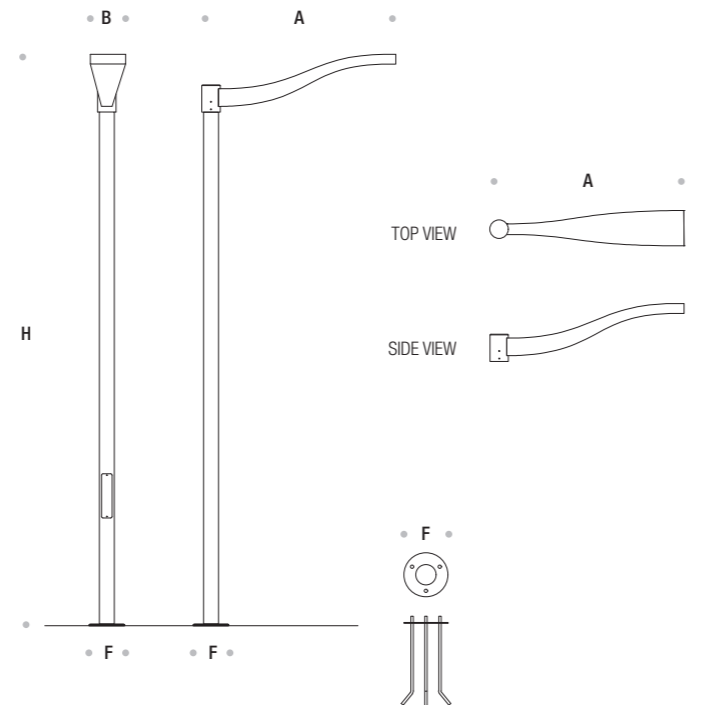
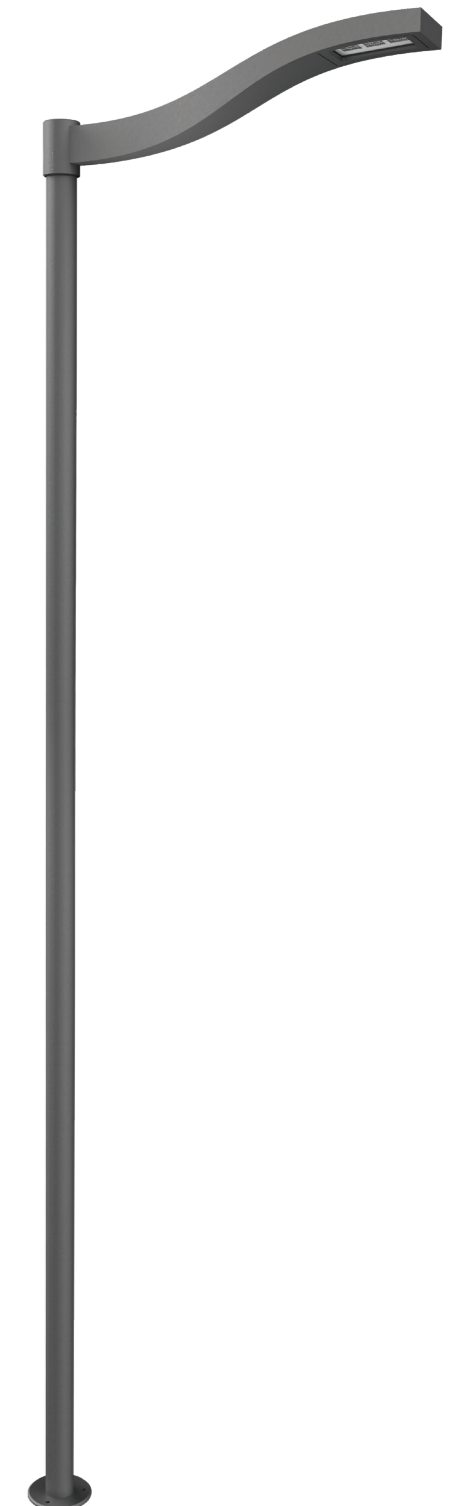
M3



Available in Corten colour



Available in Silver colour



iFly						
Codes	Power	Colour Temperature	A (mm)	B (mm)	H (mm)	F (mm)
UA1524	20W	3000K / 4000K	680	170	3000	250
UA1526	28W	3000K / 4000K	680	170	3000	250
UA1512	41W	3000K / 4000K	1100	200	4000 / 6000	250
UA1514	82W	3000K / 4000K	1250	200	6000 / 8000	300
UA1516	123W	3000K / 4000K	1600	300	8000 / 10000	350
UA1518	164W	3000K / 4000K	1600	300	8000 / 10000	350

*Poles to be ordered separately. See tables on pages 470 - 475.

Technical Features

Corrosion resistant double layer polyester powder coated paint finish die cast aluminium housing with stainless steel screws (A4 grade) and silicone gaskets. Power unit is built in. Available in anthracite gray as a standard finish or any desired RAL colour. BSISQ® LED Module.

LED MacAdam Step 3

Nominal Voltage 220V-240V AC, 50/60Hz

Operating Temperature -40°C / +55°C

Control Systems 1-10V DIM, DALI Interface

Protection Class IP66

Impact Resistance IK08

Insulation Class I

Complies with EN60598 and relevant standards.

