

Urban & Area

iBrett is an outdoor luminaire specially designed for urban areas and blends perfectly into the environment. It is equipped with powerful LEDs that enables exceptionally uniform light distribution and provides perfectly homogeneous lighting without shadows. The luminaire has very balanced and elegant proportions and is available in two different heights.

Architectural LED lighting luminaire range inspires architects, designers and system integrators with its exceptional quality, homogeneous illumination and remarkable creativity.

Distinctive and Effective

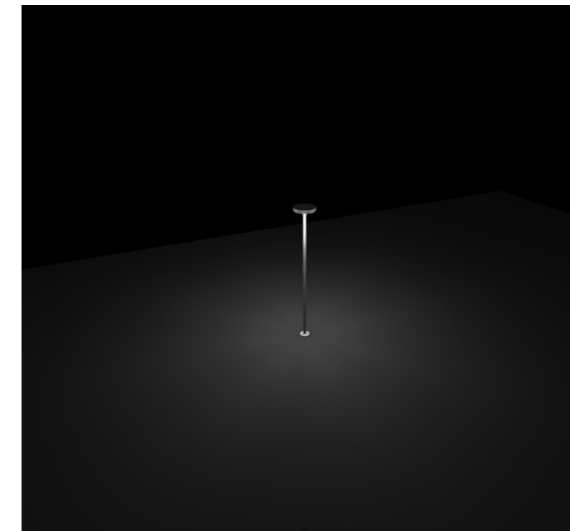
Clear and functional lines, high-performance optical modules, equipped with the latest technologies for intelligent lighting and energy efficiency, the iBrett urban post-top luminaire combines elegance and innovation with the highest quality of illumination without creating light pollution.

The luminaire with stylized appearance and with improvements in installation, maintenance and service life offers optimum light distributions that ensure effective values, visual comfort and light output for pedestrian areas and streets without light pollution. With the latest innovations, iBrett offers advanced lighting technology with refined aesthetics.

Modern Design and Easy to Install

The modernly designed luminaire, which is equipped with an integral power supply unit, is optionally available with DALI control or in the user-friendly On-Off version.

The product is supplied pre-wired, permitting simple, rapid and safe installation.



Rotational diffused beam



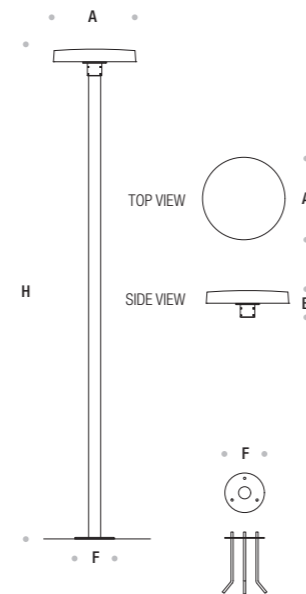
Available in Black colour



Available in Corten colour



Available in Silver colour



iBrett						
Codes	Power	Colour Temperature	A (mm)	B (mm)	H (mm)	F (mm)
UA1412	36W	3000K / 4000K	520	170	3000 / 4000	250
UA1414	54W	3000K / 4000K	520	170	3000 / 4000	250

*Poles to be ordered separately. See tables on pages 470 - 475.

Technical Features

Corrosion resistant double layer polyester powder coated paint finish die cast aluminium housing with stainless steel screws (A4 grade) and silicone gaskets. Power unit is built in. Available in anthracite gray as a standard finish or any desired RAL colour.

LED MacAdam Step 3

Nominal Voltage 220V-240V AC, 50/60Hz

Operating Temperature -40°C / +55°C

Control Systems 1-10V DIM, DALI Interface

Protection Class IP66

Impact Resistance IK08

Insulation Class I

Complies with EN60598 and relevant standards.

