



iBanda stands as the perfect lighting solution for various settings. It adds a touch of style and pleasant illumination, enhancing environments with a modern and elegant design.

Architectural ceiling lighting range inspires architects, designers and system integrators with its exceptional quality, homogenous beam angles and remarkable creativity.

High Performance and Uniform

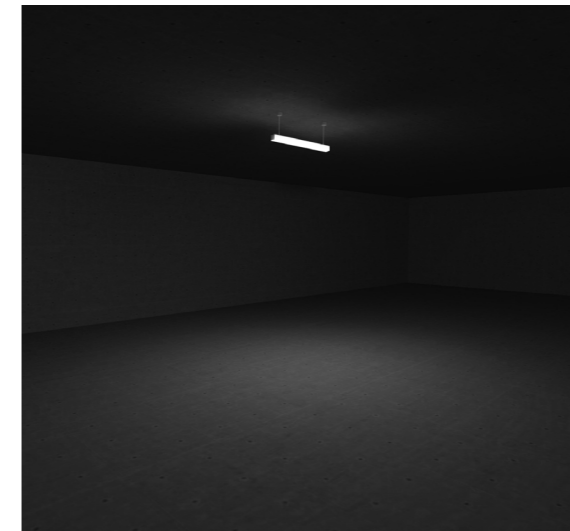
iBanda is a compact and high performance luminaire with impressive versatility. Suitable for easy installation on ceilings.

Continuous LED aluminium profiles installed continuously to create uniform lines of light and provide high visual comfort.

Integrated Solution and Easy to Install

Plug and play built-in system with the fully integrated universal power supply unit.

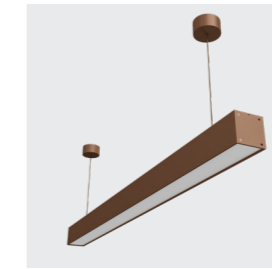
The watertight plug connector ensures easy, fast and secure installation. The robust luminaire fits seamlessly into the architecture.



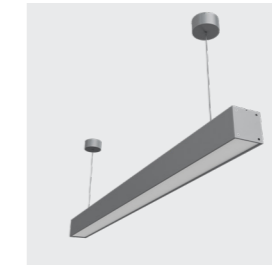
Diffused beam



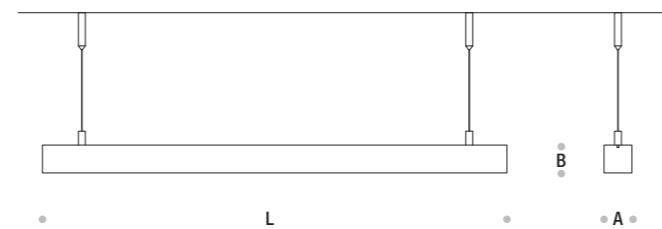
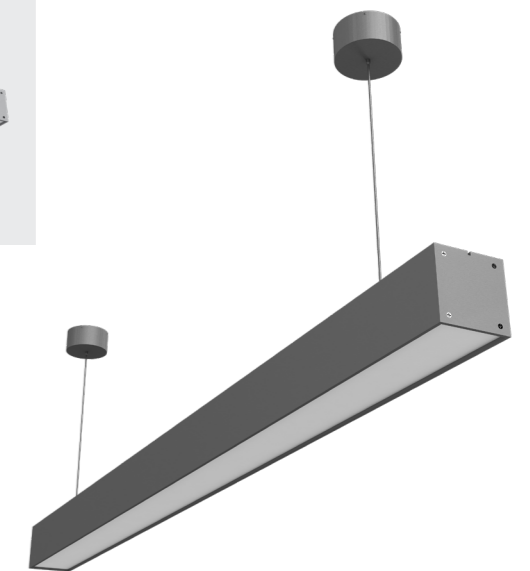
Available in Black colour



Available in Corten colour



Available in Silver colour



| iBanda Pendant | | | | | |
|----------------|-------|--------------------|--------|--------|--------|
| Codes | Power | Colour Temperature | A (mm) | B (mm) | L (mm) |
| IC6051 | 18W | 3000K / 4000K | 60 | 60 | 1000 |

Technical Features

Corrosion resistant double layer polyester powder coated paint finish extruded aluminium housing with stainless steel screws (A4 grade) and silicone gaskets. Power unit is built in. Available in anthracite gray as a standard finish or any desired RAL colour. BSITECH® LED Module.

LED MacAdam Step 3

Nominal Voltage 220V-240V AC, 50/60Hz

Operating Temperature -40°C / +55°C

Control Systems On-Off, 1-10V DIM, DALI Interface

Protection Class IP54

Impact Resistance IK08

Insulation Class I

Complies with EN60598 and relevant standards.



For detailed information about the iBanda Pendant