

## Key Features

Attractive and modern design; the iUntel bollard provides functional and aesthetic lighting for any external, residential or commercial space.

The product provides optimum visual comfort through the smooth reflective surface.

Outdoor bollard series with minimal and robust design in different heights, ideal for ambient illumination of outdoor areas, paths, parks, walkways and gardens.

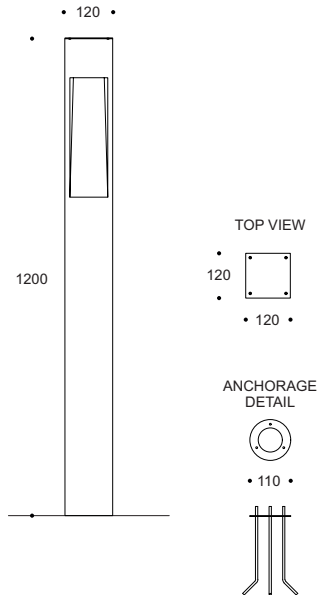
Designed to last in extremely harsh environments.



## Key Data

<b>LED Type</b>	High efficiency LEDs, available in 2700K, 3000K, 4000K, 5000K, 6500K CCT tolerance within a 3-step MacAdams ellipse and LM80 compliant.
<b>Nominal Voltage</b>	220V-240V AC, 50/60Hz
<b>Color Rendering Index</b>	CRI ≥ 80 standard and CRI ≥ 90 on request.
<b>Light Distribution</b>	M3
<b>Materials</b>	Corrosion resistant double layer polyester powder coated paint finish die cast aluminium housing, aluminium extruded column (EN AW-6060) with stainless steel screws (A4 grade) and silicone gaskets. Power unit is built in. Available in anthracite gray as a standard finish or any desired RAL colour.
<b>Optional Coating</b>	Marine grade.
<b>Diffuser</b>	Thermal-shock resistant tempered glass.
<b>LED Life Time</b>	L90 - B10 > 100,000h
<b>Operating Temperature</b>	-40°C / +55°C
<b>Power Factor</b>	>0.95
<b>Control Systems</b>	On-Off, 1-10V DIM, DALI Interface.
<b>Protection Class</b>	IP66
<b>Impact Resistance</b>	IK08
<b>Insulation Class</b>	Class I
<b>Conformity</b>	Complies with European Standards EN 60598 and CE certified.

### Technical Drawing



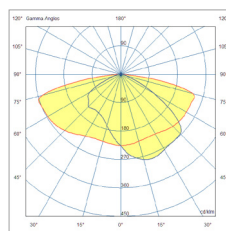
### Information

CODE	POWER CONSUMPTION	LUMEN OUTPUT (lm) 3000K / 4000K	COLOUR TEMPERATURE
LB742513	27W	2025 / 2295	3000K / 4000K

\*Anchorage set included.

\*Flange cover to be ordered separately.

### Light Distribution Curve



M3

### Accessories



Fuse Box Thin  
Code: FB1001



Fuse Box Large  
Code: FB1002