



PRODUCT FEATURES:

Compact drive-over and walk over inground recessed LED luminaire designed for the signalization of streets, cycle lanes and pedestrian ways and facade lighting. With the use of high-power LEDs, the in-ground light range provides high luminosity at a low power consumption.

Adapting a double insulation method, all in-ground lights have an IP67 ranking featuring thick tempered glass.

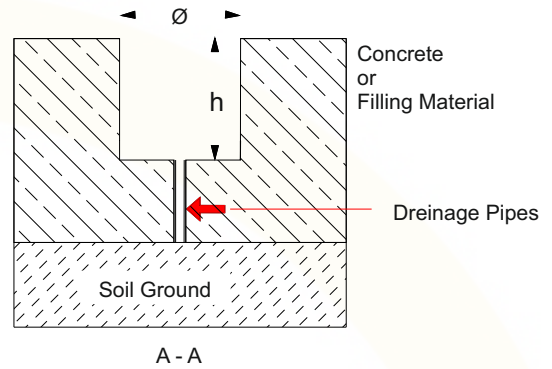
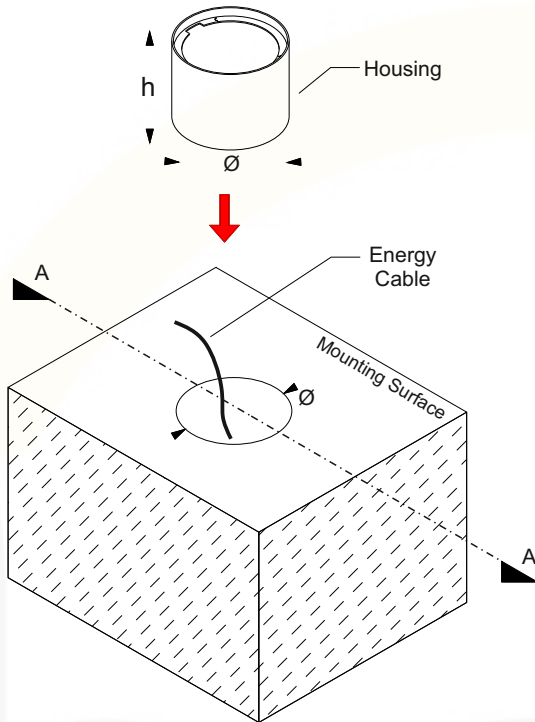
RECOMMENDATIONS FOR THE USER:

- 1) Before the installation, make sure that there is no voltage.
- 2) Do not touch the fitting when it is working on / switched on
- 3) Do not look at the fitting directly or from a short distance.
- 4) Disconnect / switch off the fitting before changing the lamps

NOTES:

- Technical amendments are reserved.
- CE – Conformity mark
- The manufacturer is then discharged from liability when damage is caused by improper use or installation.
- Clean luminaire regularly with solvent-free cleansers from dirt and deposits. Do not use high pressure cleaners.

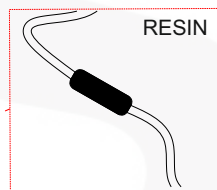
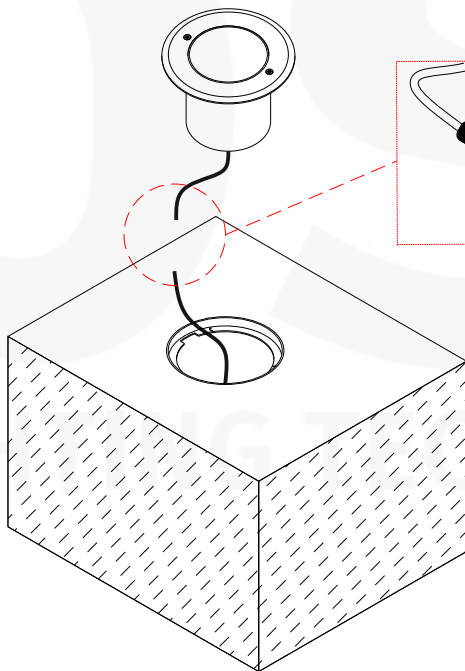
- 1) - Mounting hole is opens.
- Complete the drainage and place the housing.



*** Mounting hole should be drained.

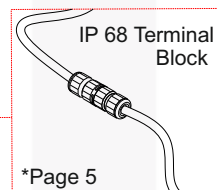
- 2) Electrical connection is done.

***The electrical connection must be under IP protection. Otherwise, water may enter to the luminaire through cable and damage the electronic parts inside.



RESIN

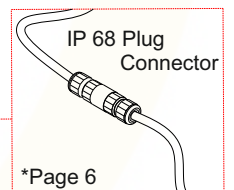
or



IP 68 Terminal Block

*Page 5

or



IP 68 Plug Connector

*Page 6

When connecting the luminaires, make sure that the same color cables are matching.



*Please contact us for cables in different colors.

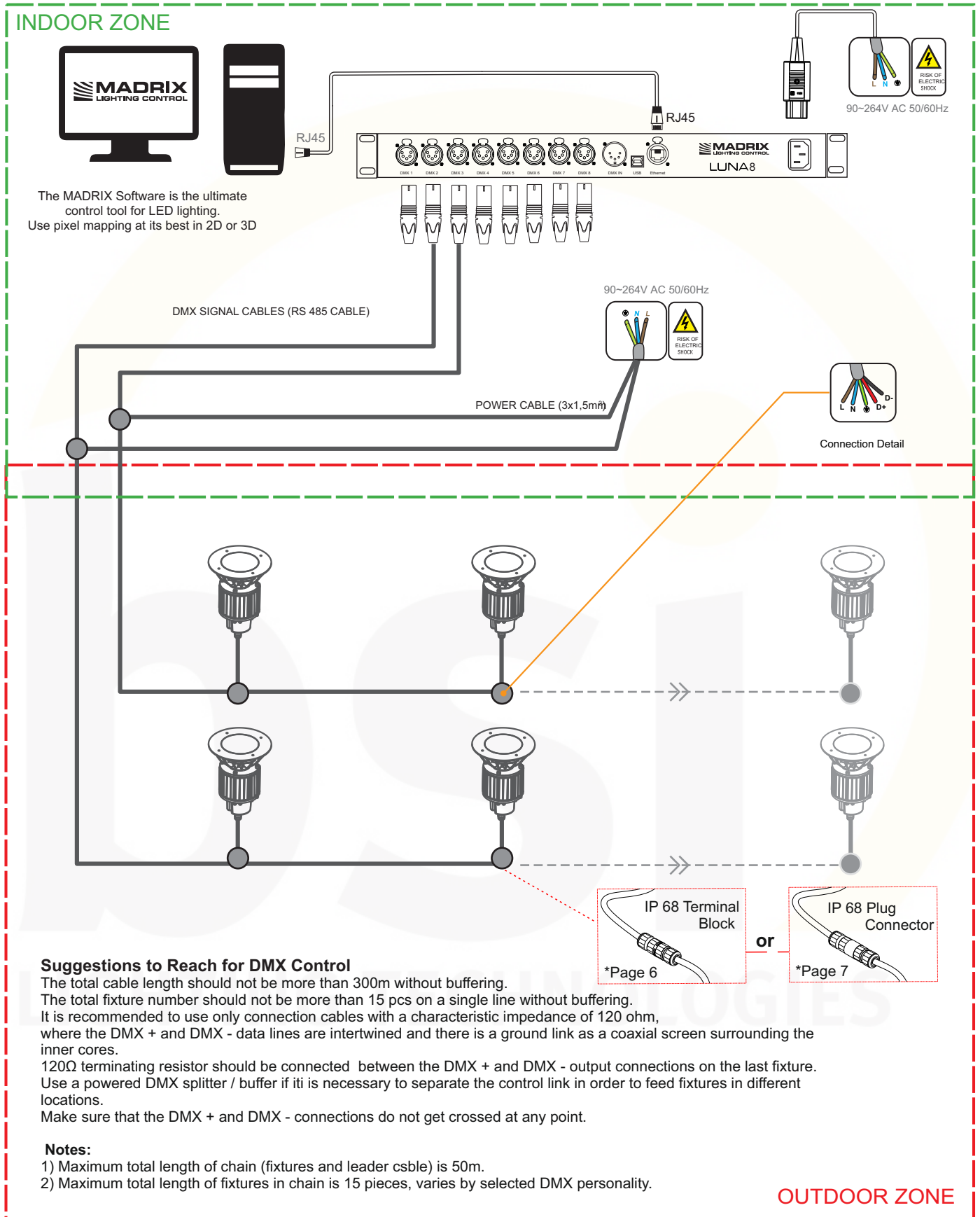
DALI CONTROL CONNECTION



*Please contact us for cables in different colors.



- DMX Main Controller is Ltech Brand for Connection and wiring Diagram;



Suggestions to Reach for DMX Control

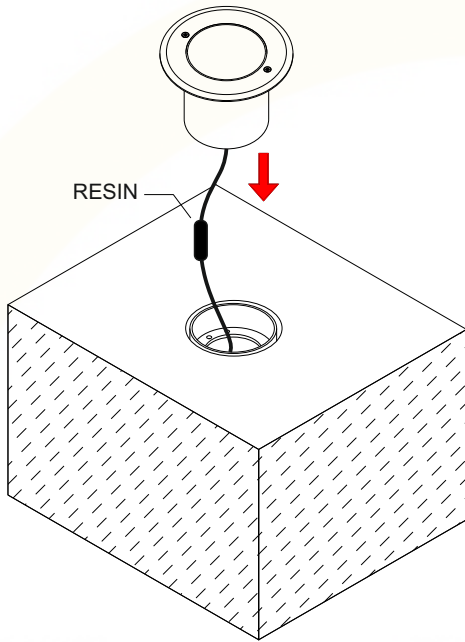
The total cable length should not be more than 300m without buffering.
 The total fixture number should not be more than 15 pcs on a single line without buffering.
 It is recommended to use only connection cables with a characteristic impedance of 120 ohm, where the DMX + and DMX - data lines are intertwined and there is a ground link as a coaxial screen surrounding the inner cores.
 120Ω terminating resistor should be connected between the DMX + and DMX - output connections on the last fixture.
 Use a powered DMX splitter / buffer if it is necessary to separate the control link in order to feed fixtures in different locations.
 Make sure that the DMX + and DMX - connections do not get crossed at any point.

Notes:

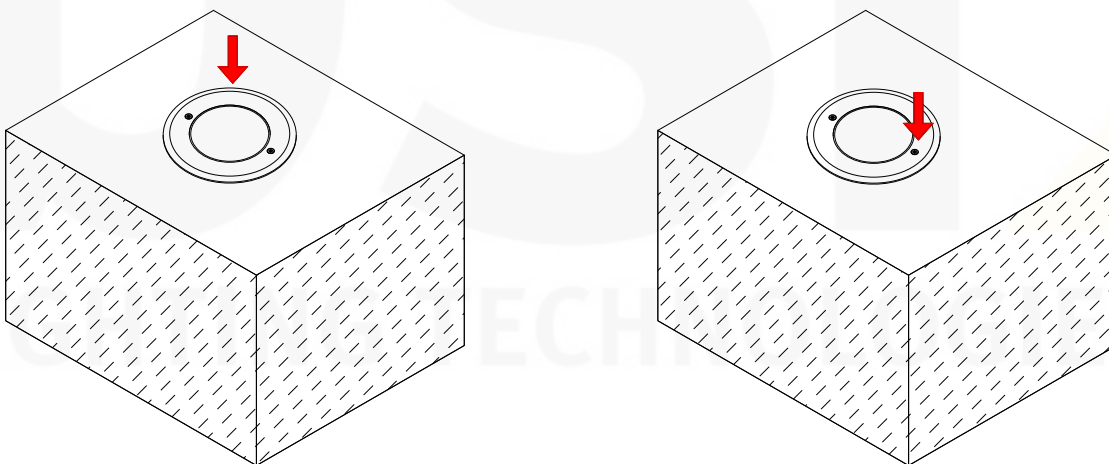
- 1) Maximum total length of chain (fixtures and leader cable) is 50m.
- 2) Maximum total length of fixtures in chain is 15 pieces, varies by selected DMX personality.

OUTDOOR ZONE

3) The luminaire is placed on the housing.



4) The luminaire's screws are tightened.



TH9
2-3-4 POLES

1

2

Screw terminals

2-3-4 POLES

①	←	①
②	←	②
③	←	③
⊕ ④	←	④

2.1
Piercing terminals version

No unsheathing

3

4

TH387
2-3-4-5 POLES

①

②

Screw terminals

6mm
25mm

6mm
25mm

4 POLES

①	←	①
②	←	②
③	←	③
④	←	④
⑤	←	⑤

2.1
Piercing terminals version

25 mm

No unsheathing

③

3.1, 3.2, 3.3

④

4.1, 4.2

Considerations

- Do not cut-off or damage the cables of the products supplied as sockets. Otherwise, water may enter to the luminaire through cable and damage the electronic parts inside.
- If you make the electrical connection, except for IP.68 Terminal Block - IP.68 Plug connector - IP.68 socket; the connections must be under IP protection. Otherwise, water may enter to the luminaire through cable and damage the electronic parts inside.
- The IP68 Connecting kits must be assembled in accordance with the installation instructions. Otherwise, water may enter to the luminaire through cable and damage the electronic parts inside.
- The luminaire should not be opened and screws should not be loosened. If you want to open the luminaire, please contact our company.
- Mounting hole should be drained.

Out of Warranty Situations

- Opening the product or loosening the screws.
- Product last output cable is not protected IP67-IP68.
- Faulty electrical connection.
- Wrong IP68 socket-terminal block- plug connector connection.
(Wrong opening of the cable length, faulty tightening the screws etc.)
- If the IP68 Connecting kits are under water.
- No drainage in the mounting hole.