



PRODUCT FEATURES:

Compact LED floodlight range ideal to highlight and emphasize architectural details or plants and also perfect to illuminate walls, facades and monumental structures. iSigma provides a high-intensity wash of light with customisable beam angles for architectural floodlighting.

The head is adjustable, making it easy to focus incident light on the exposed element. Three sizes. Advanced thermal design with cutting-edge manufacturing process and materials. Designed to last in extremely harsh environments.

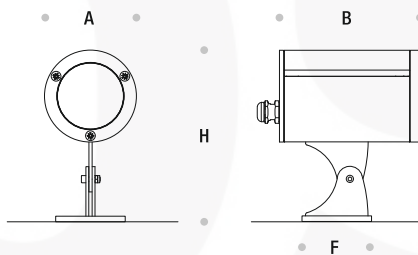
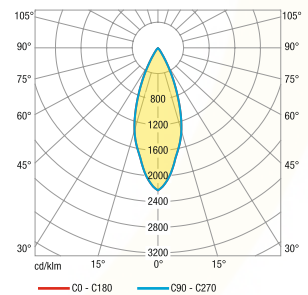
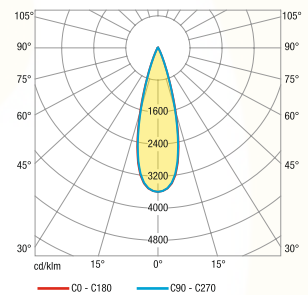
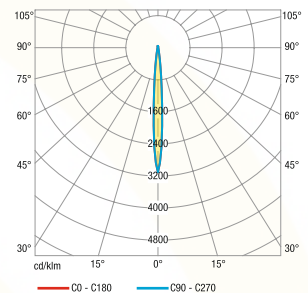
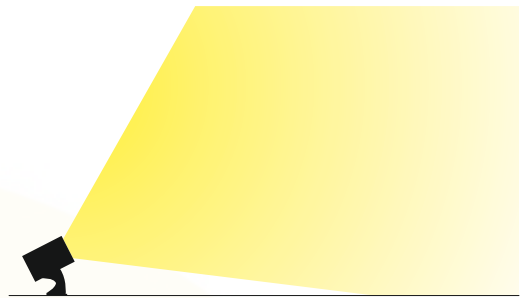
RECOMMENDATIONS FOR THE USER:

- 1) Before the installation, make sure that there is no voltage.
- 2) Do not touch the fitting when it is working on / switched on
- 3) Do not look at the fitting directly or from a short distance.
- 4) Disconnect / switch off the fitting before changing the lamps

NOTES:

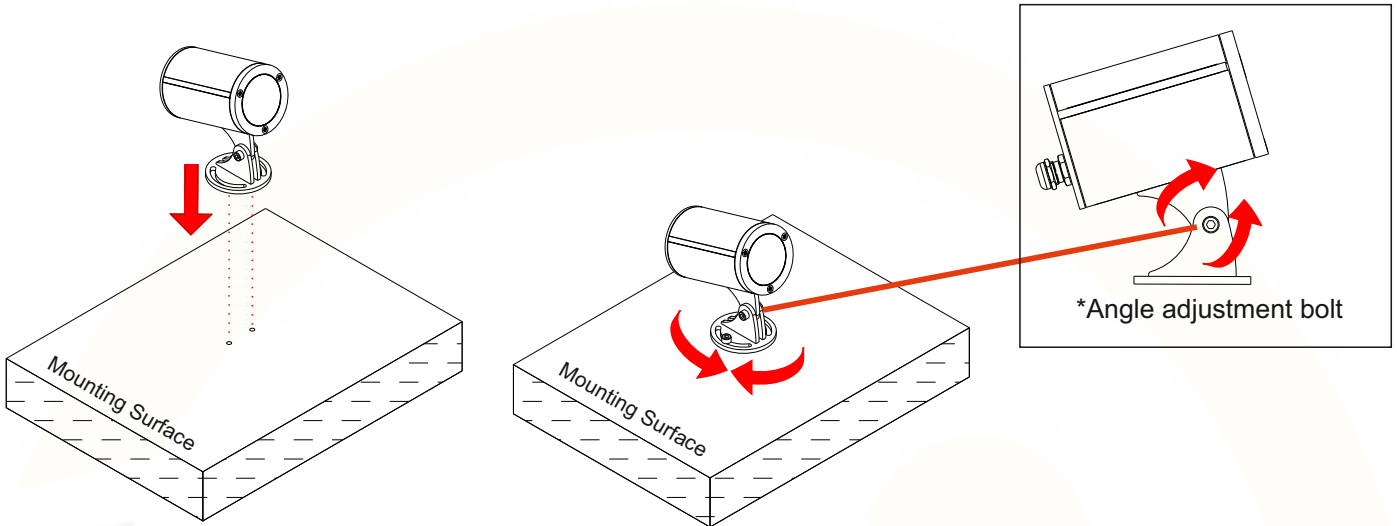
- Technical amendments are reserved.
- CE – Conformity mark
- The manufacturer is then discharged from liability when damage is caused by improper use or installation.
- Clean luminaire regularly with solvent-free cleansers from dirt and deposits. Do not use high pressure cleaners.

LED Type	High efficiency LEDs COB, available in 2700K, 3000K, 4000K, 5000K, 6500K CCT tolerance within a 3-step MacAdams ellipse and LM80 compliant.
Nominal Voltage	220V-240V AC, 50/60Hz
Color Rendering Index	CRI> 80 standard and CRI>90 on request.
Optics	Spot beam, Medium beam, Flood beam with high efficiency anodised aluminium reflector COB (Chip on Board) technology.
Materials	Corrosion resistant double layer polyester powder coated paint finish die cast aluminium housing with stainless steel screws (A4 grade) and silicone gaskets. Power unit is built in. Available in anthracite gray as a standard finish or any desired RAL colour.
Optional Coating	Marine grade.
Accessories	Earth Spike (Polypropylene)
Diffuser	Thermal-shock resistant tempered glass.
LED Specification	L90B50 > 100000 hours life time.
Energy Efficiency Class (EEC)	A++
Operating Temperature	-40°C / +55°C
Power Factor	>0.95
Control Systems	1-10V, DALI Interface.
Protection Class	IP67
Impact Resistance	IK08
Insulation Class	Class I
Cabling and Connection	Power and Data.
Conformity	Complies with European Standards EN 60598 and CE certified.

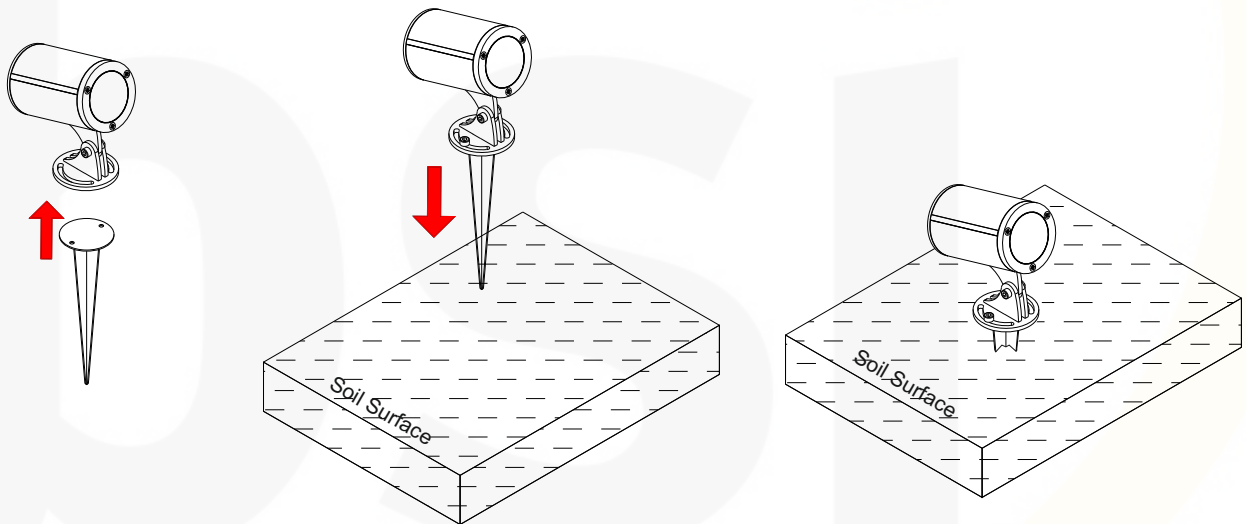


CODE	POWER CONSUMPTION	LUMEN OUTPUT (lm) 3000K / 4000K	A (mm)	B (mm)	H (mm)	F (mm)
FL928101/S	3W	330 / 360	66	120	125	60
FL928102/S	6W	660 / 3720	66	120	125	60
FL928103/S	9W	990 / 1080	66	120	125	60
FL928104/M	12W	1320 / 1440	102	180	190	80
FL928105/M	18W	1980 / 2160	102	180	190	80
FL928106/L	24W	2640 / 2880	127	245	235	100
FL928107/L	38W	4180 / 4560	127	245	235	100

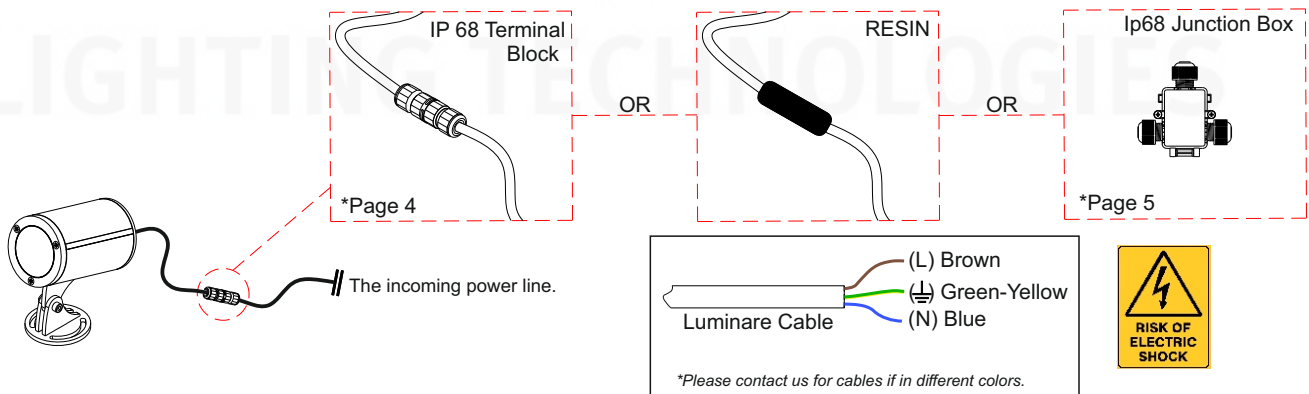
- Rigid Floor Mounting;
 - Holes are drilled into the ground and the fixing plugs are fastened.
 - The luminaire is screwed to the ground.
 - The screws on the mounting foot can be loosened and brought to the desired angle and the screw can be tightened again.

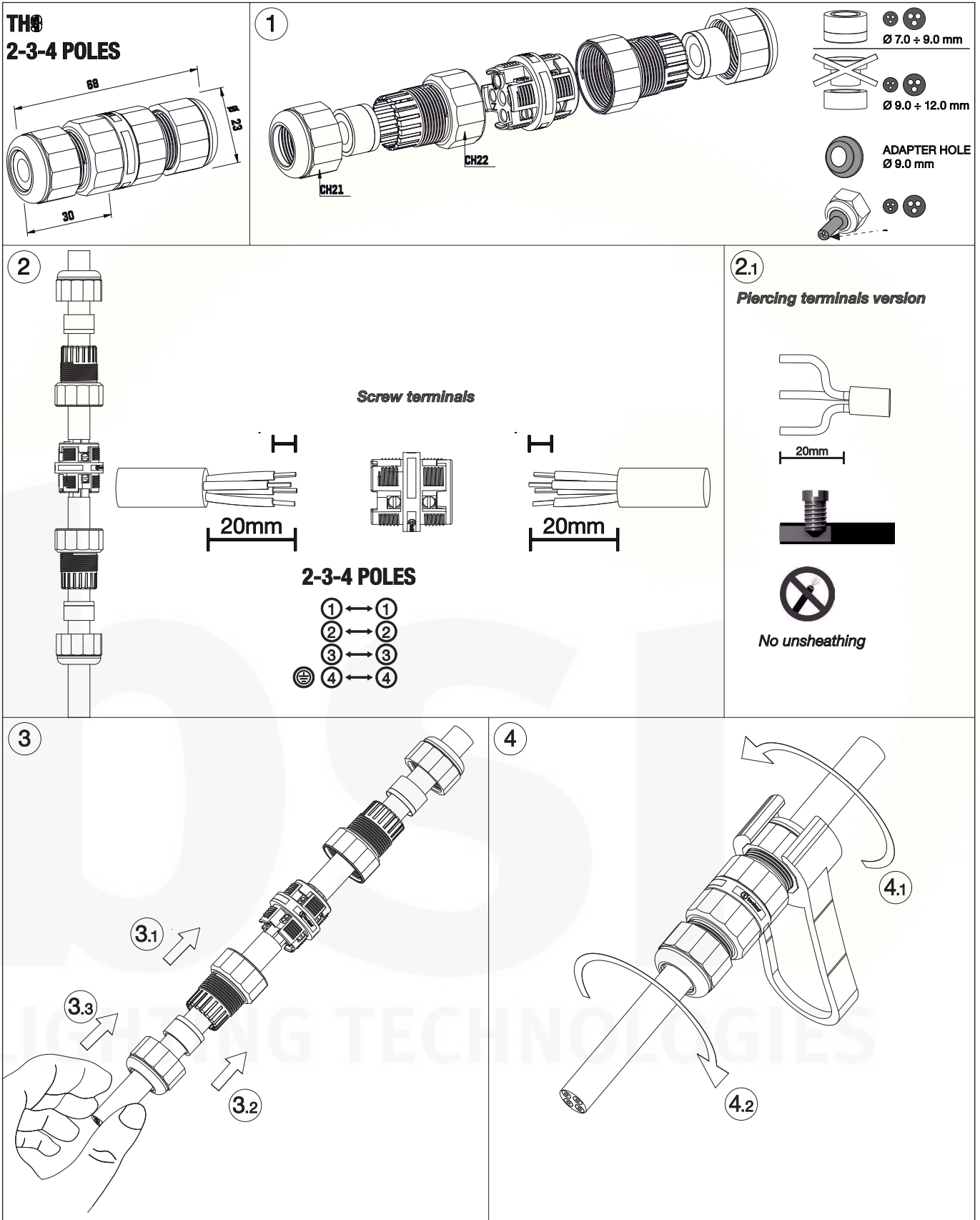


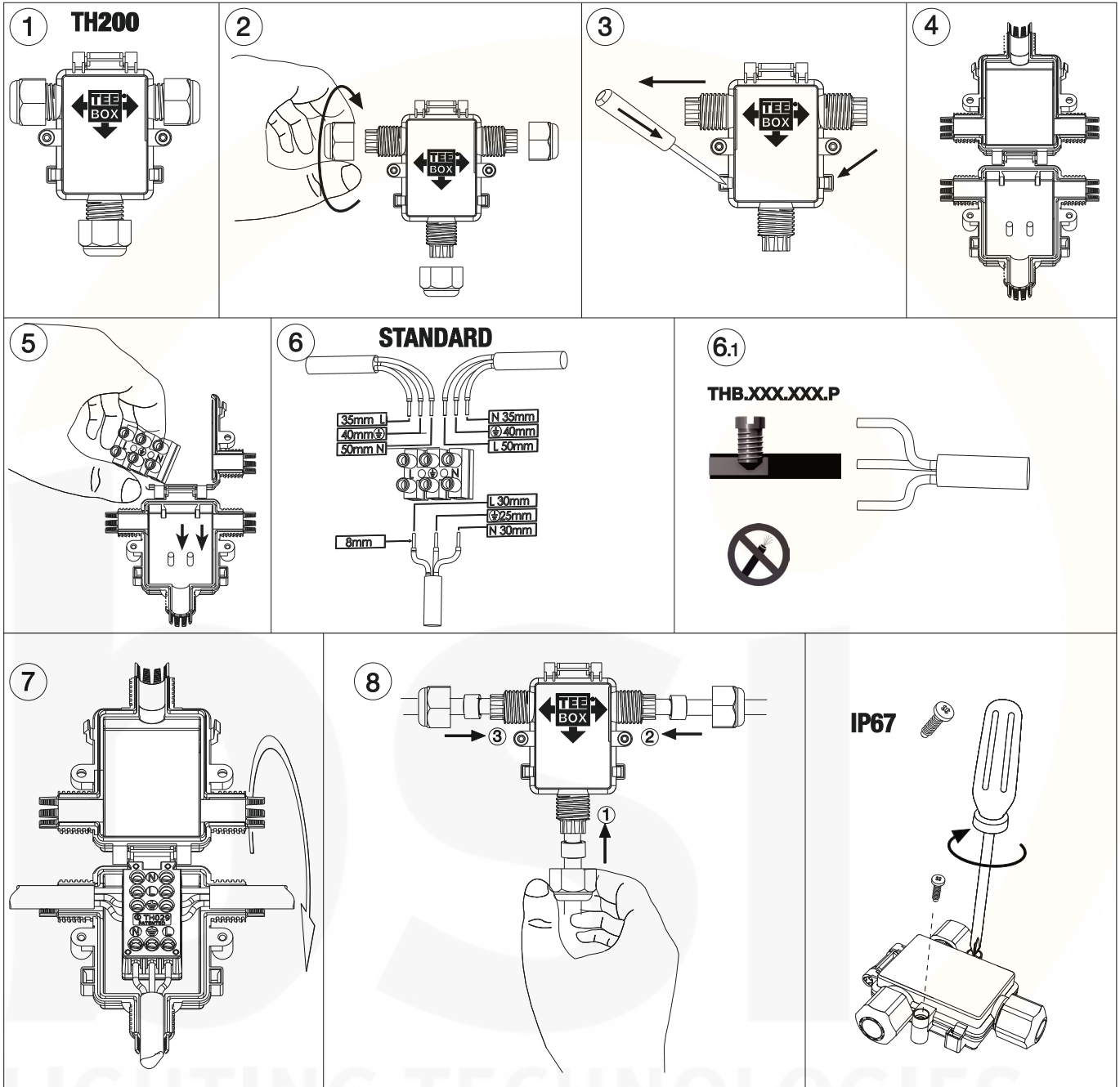
- Ground Mounting;
 - The luminaire is screwed to the spike and mounted to the ground.



- Electrical Connection







CONSIDERATIONS:

- Do not cut-off or damage the cables of the products supplied as sockets. Otherwise, water may enter to the luminaire through cable and damage the electronic parts inside.
- If you make the electrical connection, except for IP.68 Terminal Block; the connections must be under IP protection. Otherwise, water may enter to the luminaire through cable and damage the electronic parts inside.
- The IP68 Connecting kits must be assembled in accordance with the installation instructions. Otherwise, water may enter to the luminaire through cable and damage the electronic parts inside.
- The luminaire should not be opened and screws should not be loosened. If you want to open the luminaire, please contact our company.

OUT OF WARRANTY SITUATIONS:

- Opening the product or loosening the screws.
- Product last output cable is not protected IP67-IP68.
- Faulty electrical connection.
- Wrong IP68 socket-terminal block- plug connector connection.
(Wrong opening of the cable length, faulty tightening the screws etc.)
- If the IP68 Connecting kits are under water.