

PRODUCT FEATURES:

Functional decorative street lighting luminaire for urban landscape, roadway, pedestrian and area lighting applications. iFly offers outstanding light efficiency with wide beam asymmetrical optics. The LED system offers durability and optimal light output. BSISQ® LED Module integrated.

Designed to last in extremely harsh environments.

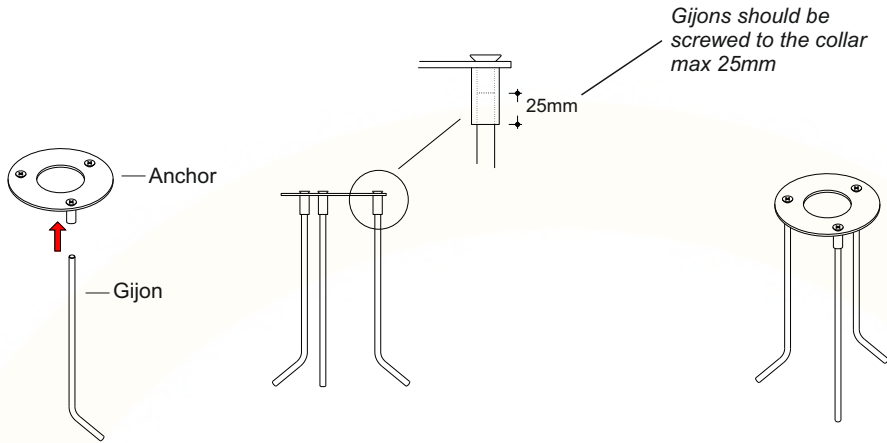
RECOMMENDATIONS FOR THE USER:

- 1) Before the installation, make sure that there is no voltage.
- 2) Do not touch the fitting when it is working on / switched on
- 3) Do not look at the fitting directly or from a short distance.
- 4) Disconnect / switch off the fitting before changing the lamps

NOTES:

- Technical amendments are reserved.
- CE – Conformity mark
- The manufacturer is then discharged from liability when damage is caused by improper use or installation.
- Clean luminaire regularly with solvent-free cleansers from dirt and deposits. Do not use high pressure cleaners.

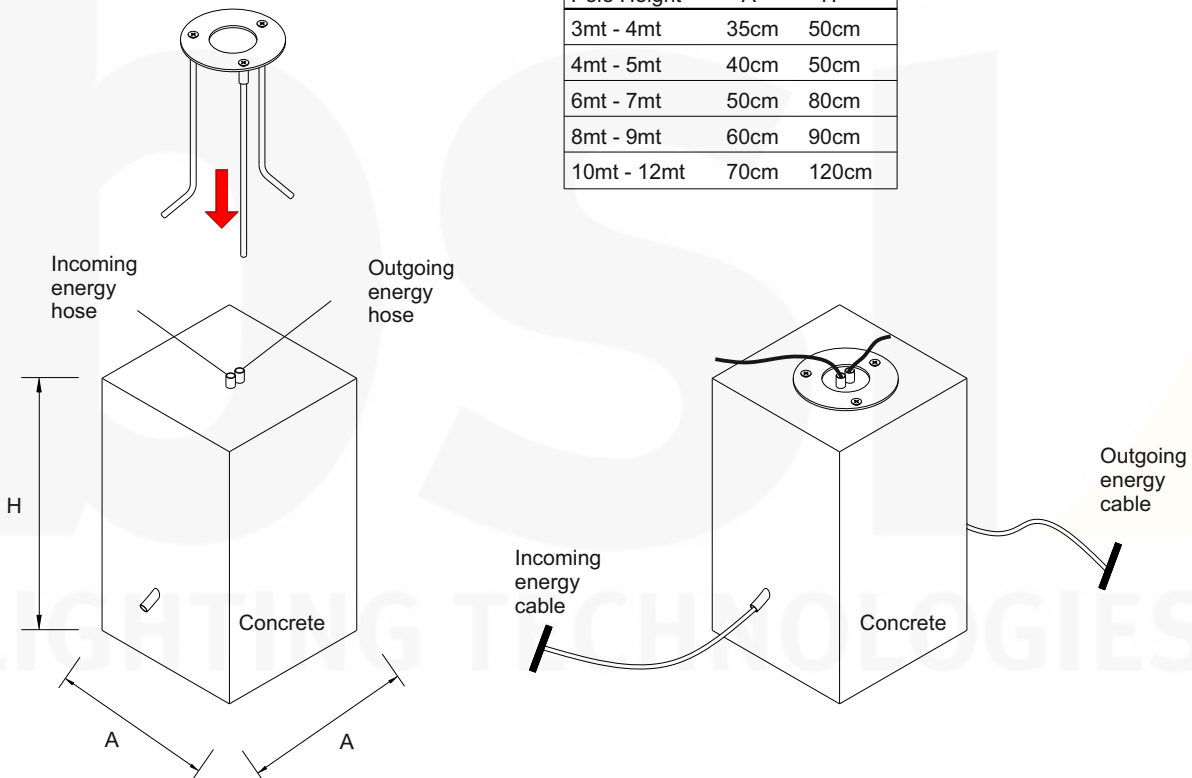
- 1) Gijons tightened 2.5cm to the anchor.
**Do not remove the screws on the anchorage*



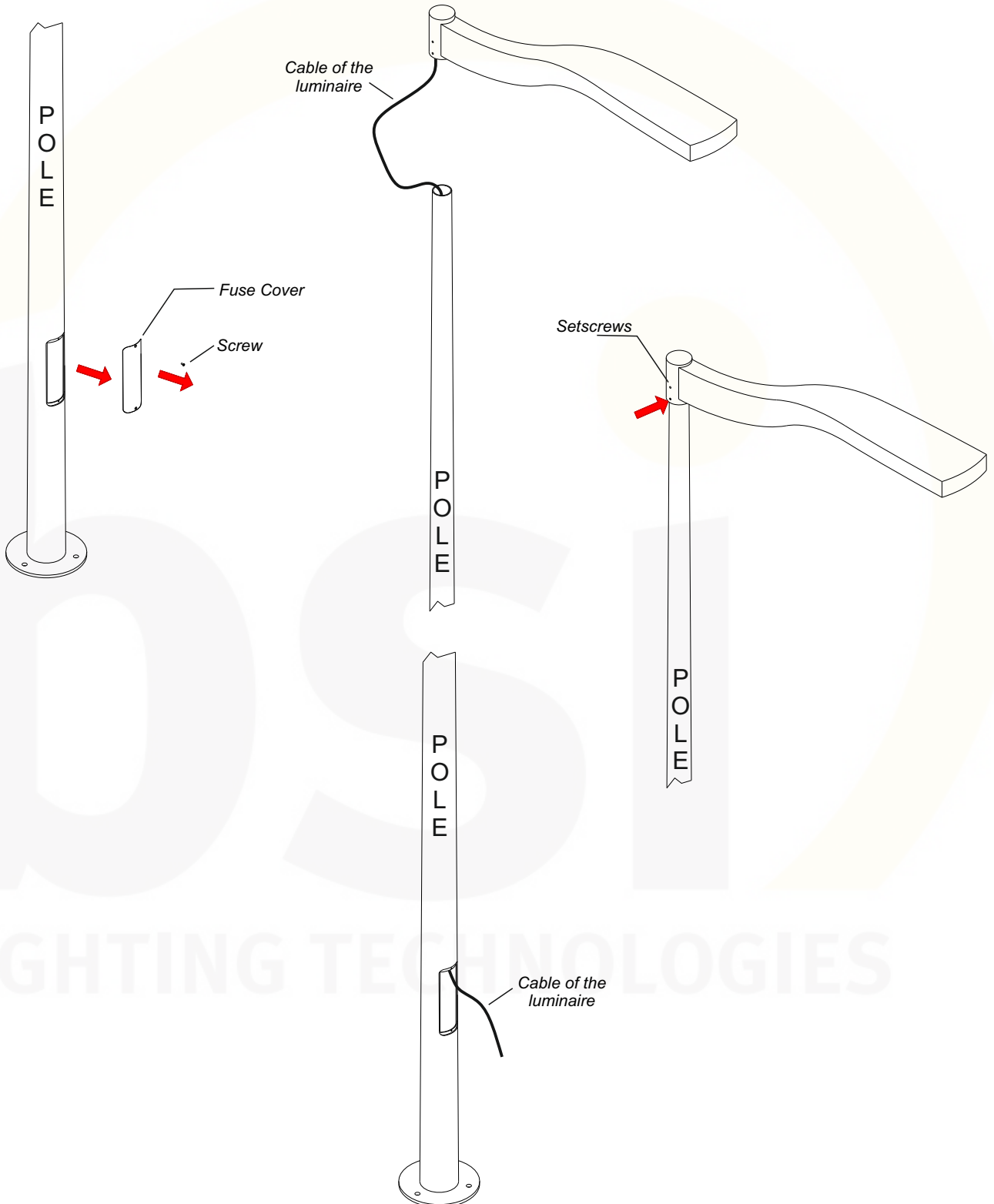
- 2) - The prepared anchor is embedded in the concrete and leveled.
 - After the concrete is dried, the energy cabling is done.

Concrete Dimensions

Pole Height	A	H
3mt - 4mt	35cm	50cm
4mt - 5mt	40cm	50cm
6mt - 7mt	50cm	80cm
8mt - 9mt	60cm	90cm
10mt - 12mt	70cm	120cm



- 3) - The fuse cover on the pole is removed.
- The cable is passed through the pole and removed from the fuse cover hole.
- The luminaire is placed on the top of the pole and its setscrews are tightened.



- 4) - Temporary screws on the anchor are removed.
 - The pole is placed on the anchor and screwed into the anchor with new inox screws.
 - Fuse box is removed.
 - Electrical connection is done.
 - The fusebox and the fuse cover is re-mounted.

