



PRODUCT FEATURES:

iCelia is a stylish and versatile luminaire, ideal for general and dynamic accent, spot or food lighting of large areas with a wide selection of optics.

The product is suitable for applications where a powerful light output is required.

Provides exterior long throw dynamic light for building facades, bridges, shopping malls, halls, hotels and sporting facilities.

Designed to last in extremely harsh environments.

RGB, RGBW, DMX and DALI controllable, easy to install with the integrated universal power supply and connect via combined power and data connectors.

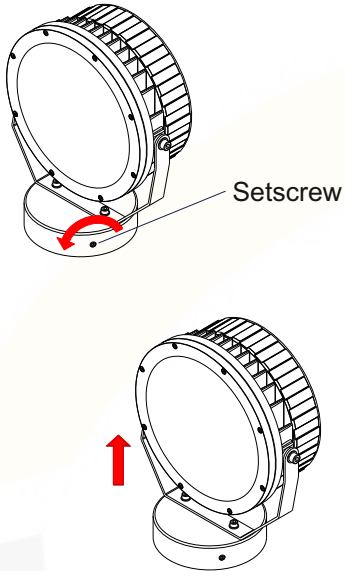
RECOMMENDATIONS FOR THE USER:

- 1) Before the installation, make sure that there is no voltage.
- 2) Do not touch the fitting when it is working on / switched on
- 3) Do not look at the fitting directly or from a short distance.
- 4) Disconnect / switch off the fitting before changing the lamps

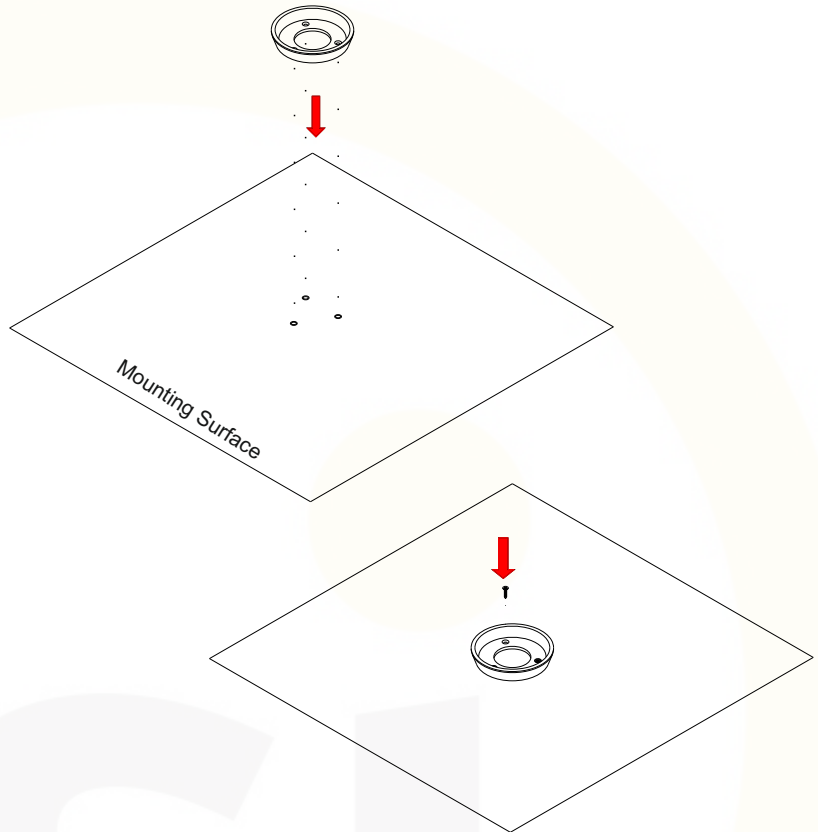
NOTES:

- Technical amendments are reserved.
- CE – Conformity mark
- The manufacturer is then discharged from liability when damage is caused by improper use or installation.
- Clean luminaire regularly with solvent-free cleansers from dirt and deposits. Do not use high pressure cleaners.

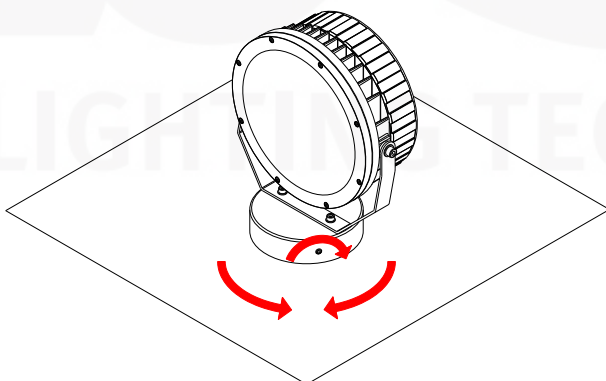
1) The mounting platform is removed by loosening the setscrews on the luminaire foot.



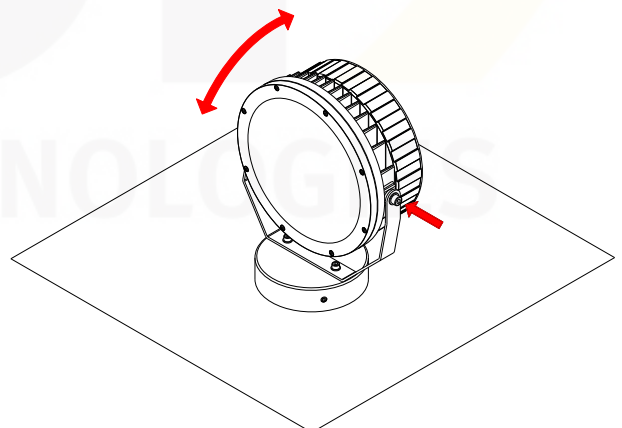
2) Drill holes on the mounting surface and install the fixing plugs. The mounting plate is screwed onto the mounting surface.



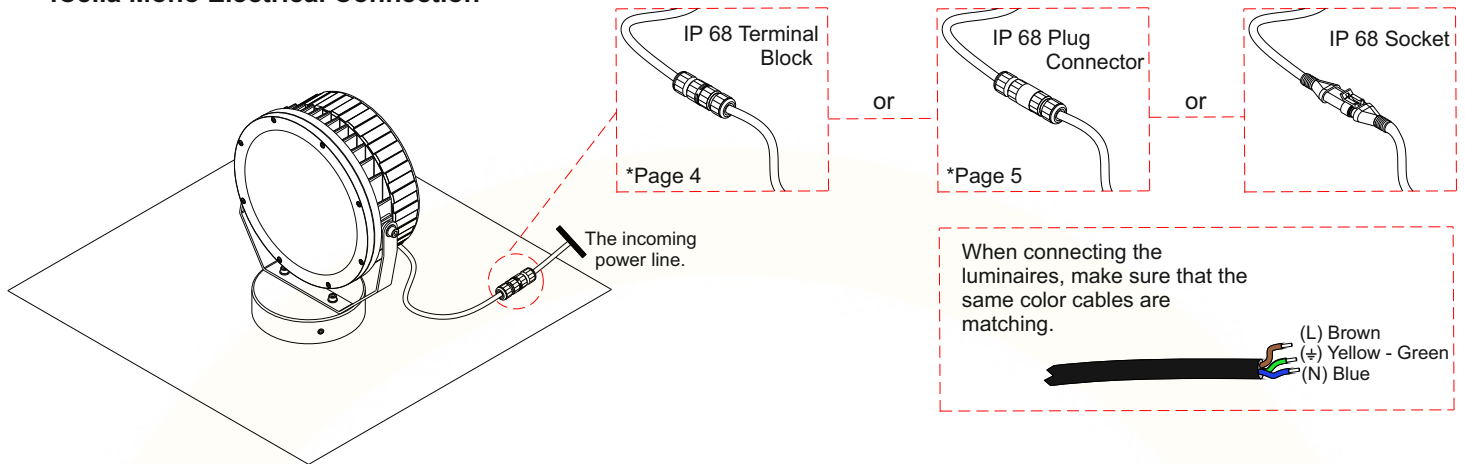
3) The luminaire is placed on the mounting plate. Tighten the setscrews with desired direction by turning right or left.



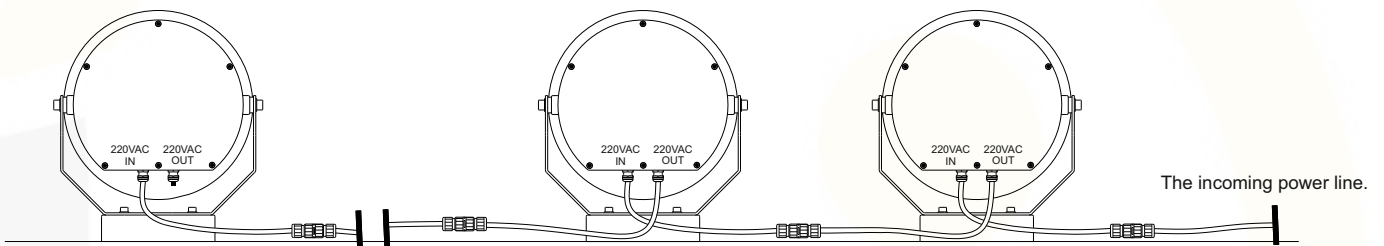
4) Allen head cap screws in the left and right side of the luminaire are loosened to the desired angle and the tightened again.



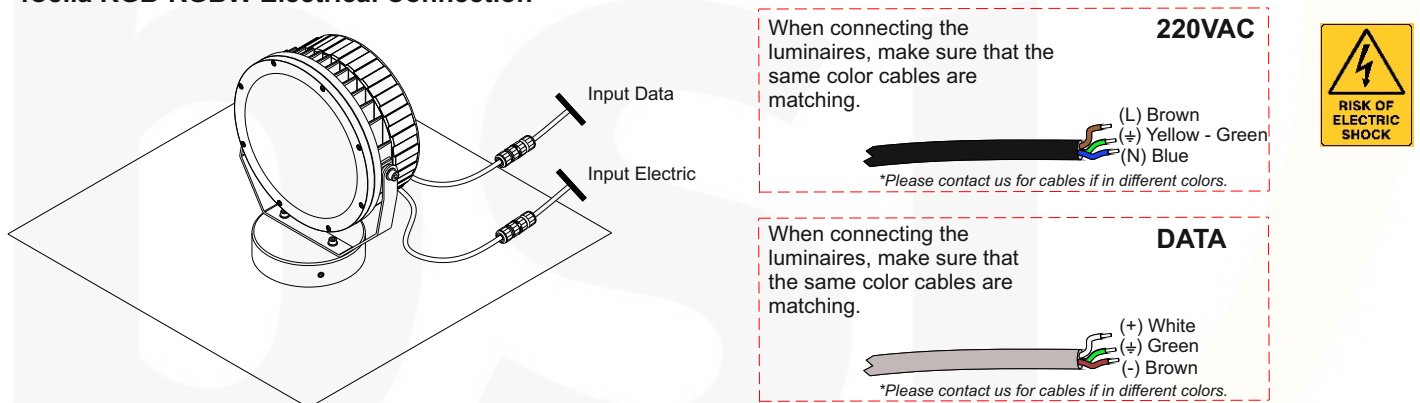
- iCelia Mono Electrical Connection



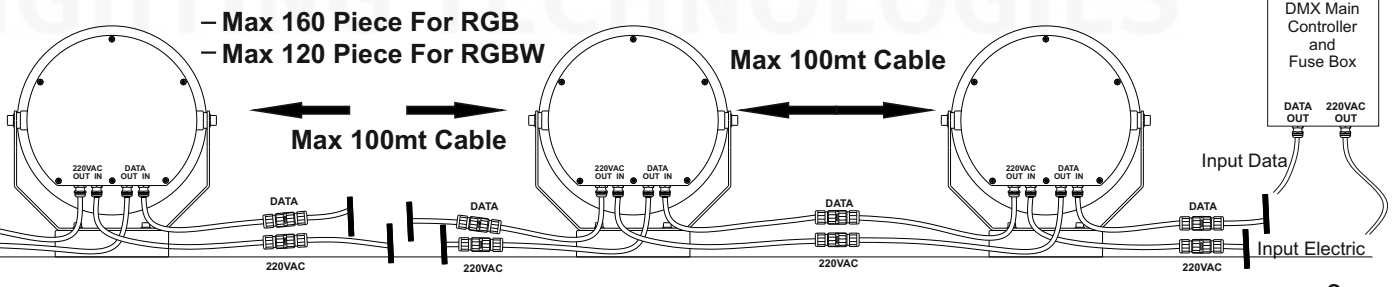
- iCelia Mono Multi Electrical Connection



- iCelia RGB-RGBW Electrical Connection



- iCelia RGB-RGBW Multi Electrical Connection



TH9
2-3-4 POLES

1

2

Screw terminals

2-3-4 POLES

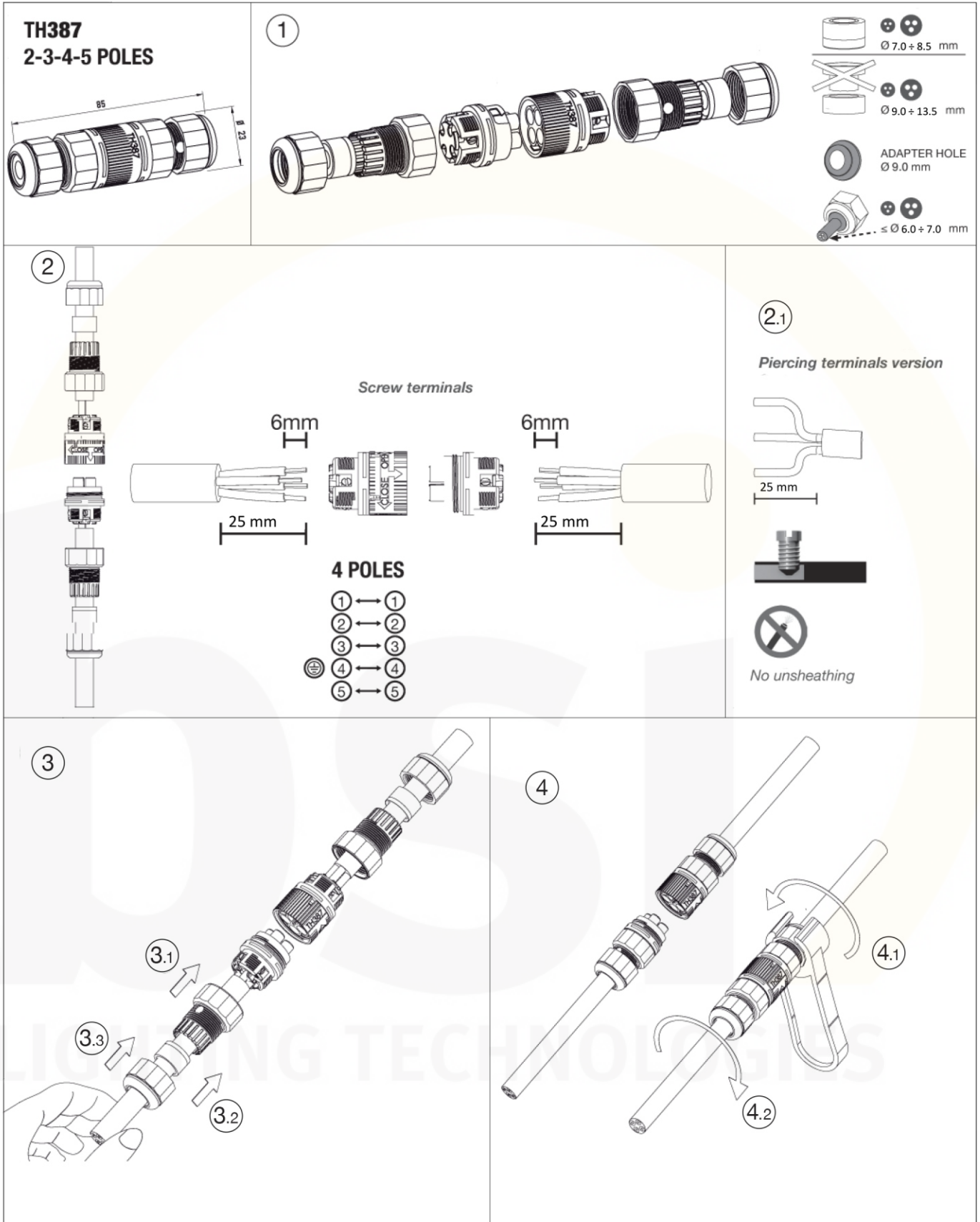
①	←	①
②	←	②
③	←	③
⊕	←	④

2.1
Piercing terminals version

No unsheathing

3

4



Considerations

- Do not cut-off or damage the cables of the products supplied as sockets. Otherwise, water may enter to the luminaire through cable and damage the electronic parts inside.
- If you make the electrical connection, except for IP.68 Terminal Block - IP.68 Plug connector - IP.68 socket; the connections must be under IP protection. Otherwise, water may enter to the luminaire through cable and damage the electronic parts inside.
- The IP68 Connecting kits must be assembled in accordance with the installation instructions. Otherwise, water may enter to the luminaire through cable and damage the electronic parts inside.
- The luminaire should not be opened and screws should not be loosened. If you want to open the luminaire, please contact our company.

Out of Warranty Situations

- Opening the product or loosening the screws.
- Product last output cable is not protected IP67-IP68.
- Faulty electrical connection.
- Wrong IP68 socket-terminal block- plug connector connection. (Wrong opening of the cable length, faulty tightening the screws etc.)
- If the IP68 Connecting kits are under water.