

PRODUCT FEATURES:

iRuta Skew with a range of customised shapes, ideal for lighting modern and architectural streets, squares, parks, public areas and entryways. Trapezoidal section column with decorative patterns highlighted with LEDs offers joy of decor and lighting creativity.

Designed to last in extremely harsh environments.

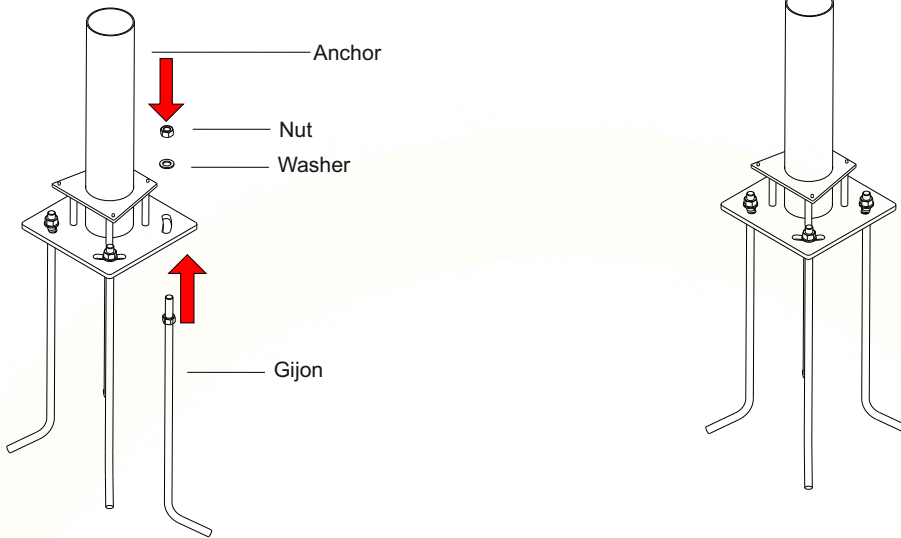
RECOMMENDATIONS FOR THE USER:

- 1) Before the installation, make sure that there is no voltage.
- 2) Do not touch the fitting when it is working on / switched on
- 3) Do not look at the fitting directly or from a short distance.
- 4) Disconnect / switch off the fitting before changing the lamps

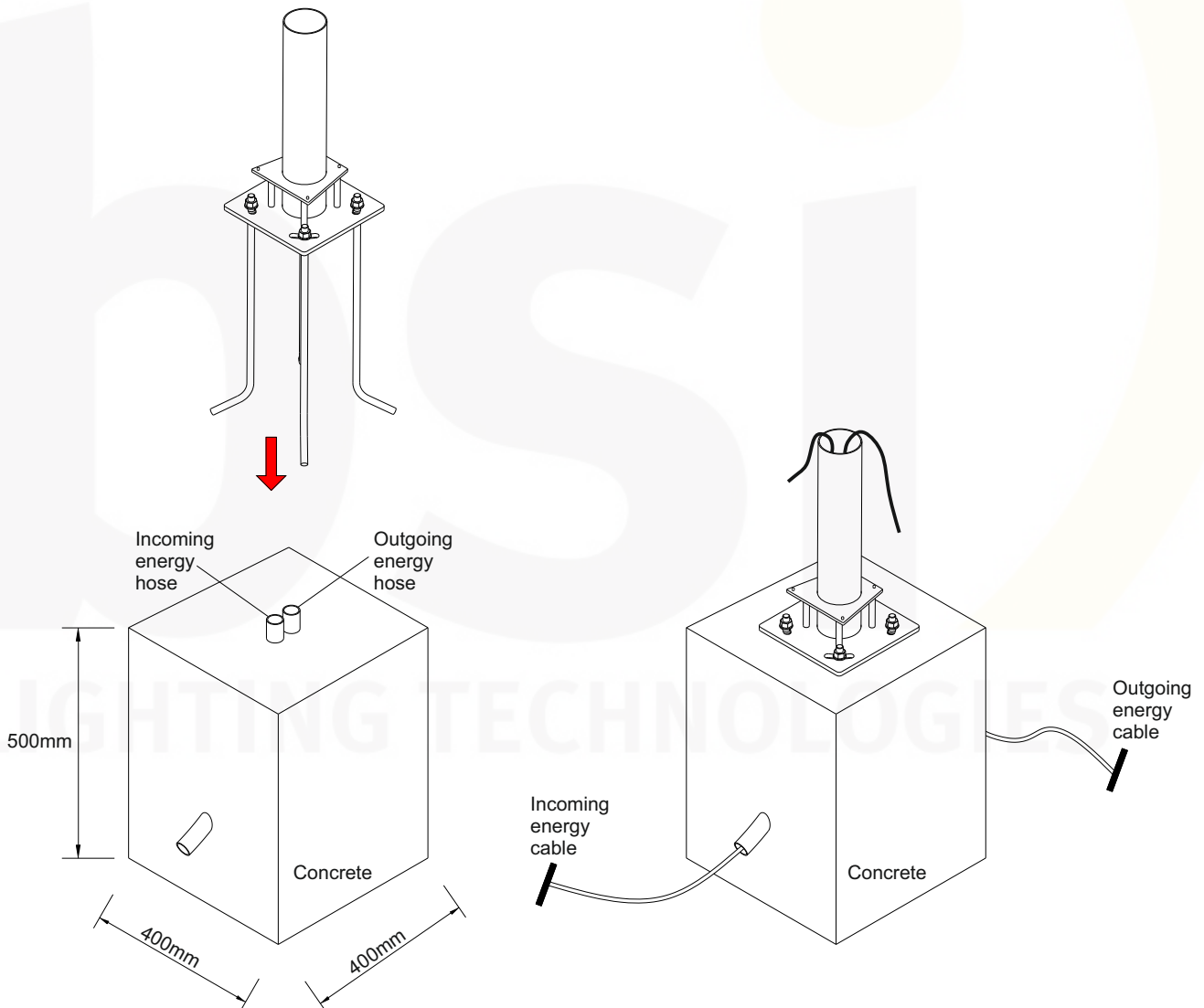
NOTES:

- Technical amendments are reserved.
- CE – Conformity mark
- The manufacturer is then discharged from liability when damage is caused by improper use or installation.
- Clean luminaire regularly with solvent-free cleansers from dirt and deposits. Do not use high pressure cleaners.

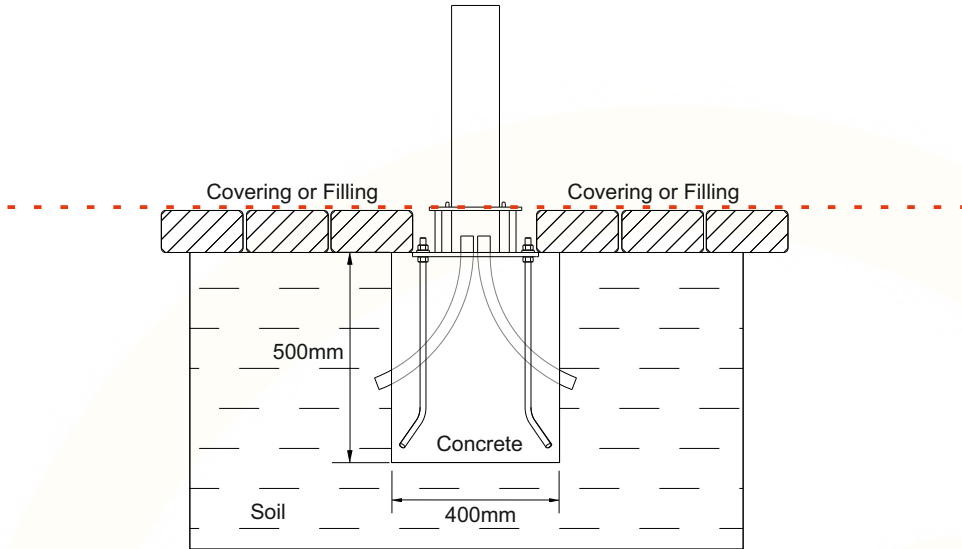
1) Gijons tightened to the anchor with a nuts.



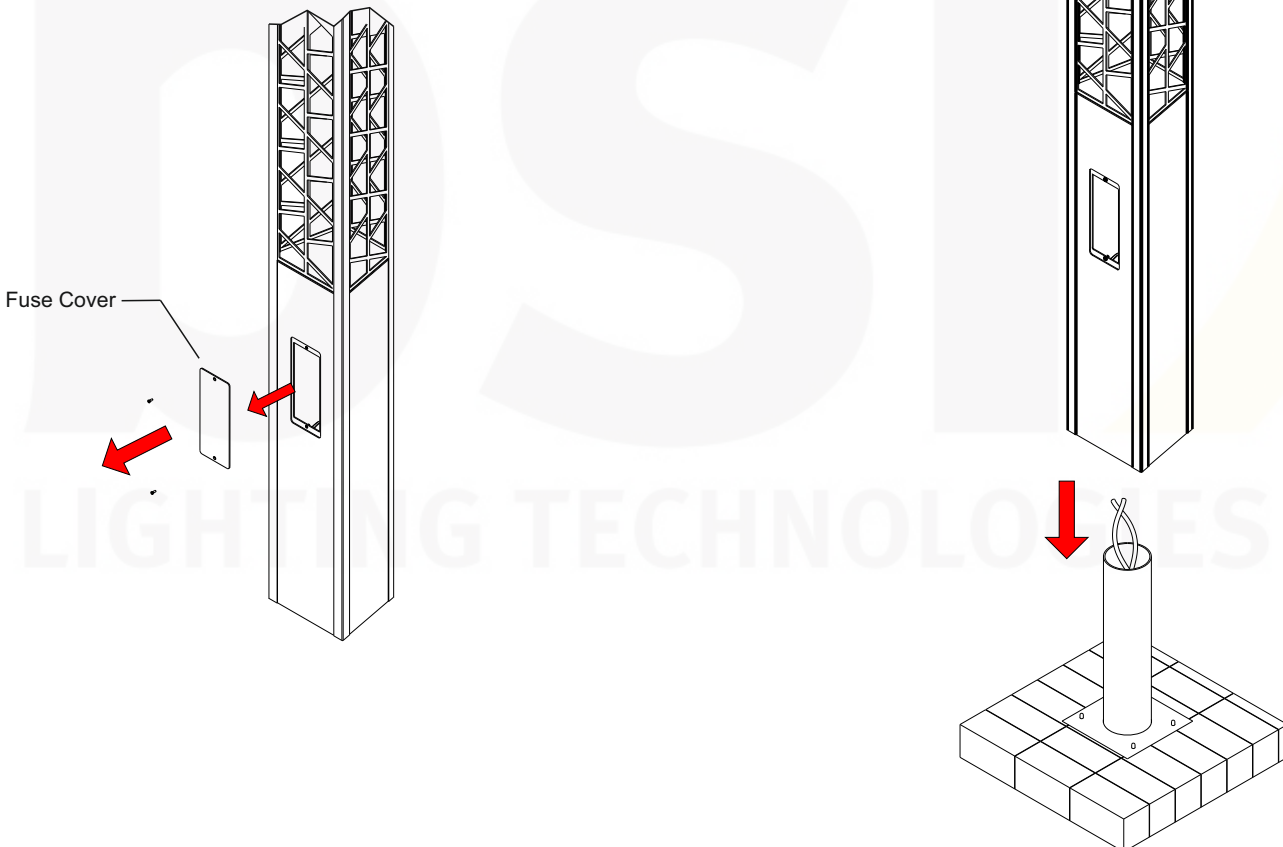
2) - The prepared anchor is embedded in the concrete and leveled.
 - After the concrete is dried, the energy cabling is done.



3) The anchor is filled to the top plate.



4) The fuse cover is removed and the column is passed on the anchor pipe.



- 5) -Through the fuse cover, tighten the bolt with the key head and tighten directly to the anchor.
- Electrical connection is done and the fuse cover is re-mounted.

