



PRODUCT FEATURES:

The Wooden housing bollard luminaire is particularly appropriate for the illumination of extensive gardens, parks and commercial areas. Designed to last in extremely harsh environments.

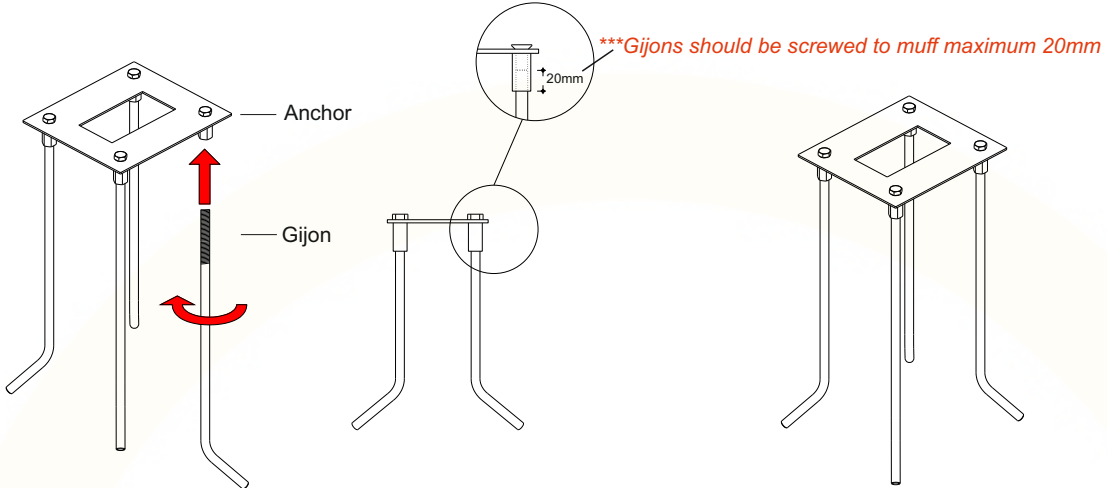
RECOMMENDATIONS FOR THE USER:

- 1) Before the installation, make sure that there is no voltage.
- 2) Do not touch the fitting when it is working on / switched on
- 3) Do not look at the fitting directly or from a short distance.
- 4) Disconnect / switch off the fitting before changing the lamps

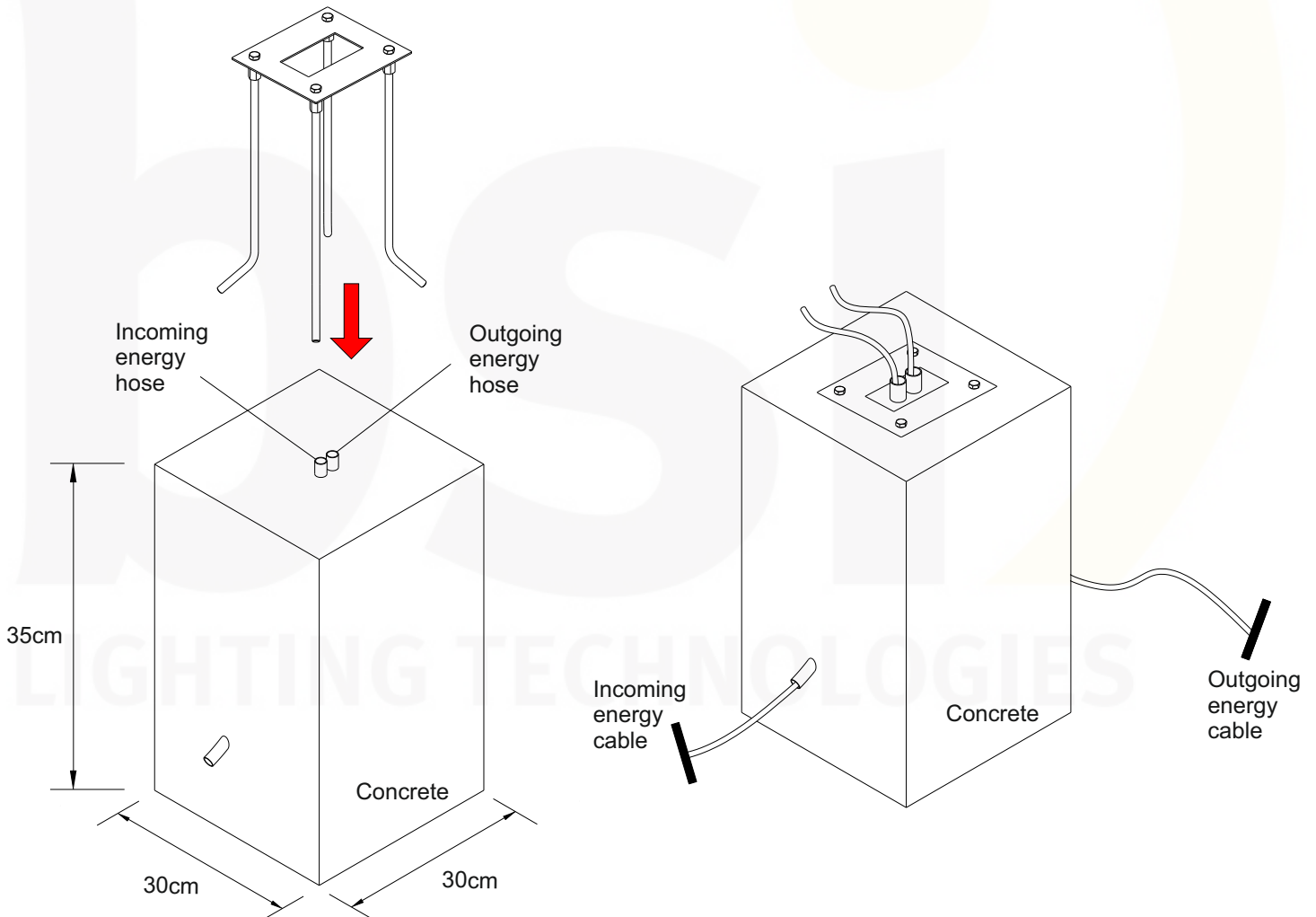
NOTES:

- Technical amendments are reserved.
- CE – Conformity mark
- The manufacturer is then discharged from liability when damage is caused by improper use or installation.
- Clean luminaire regularly with solvent-free cleansers from dirt and deposits. Do not use high pressure cleaners.

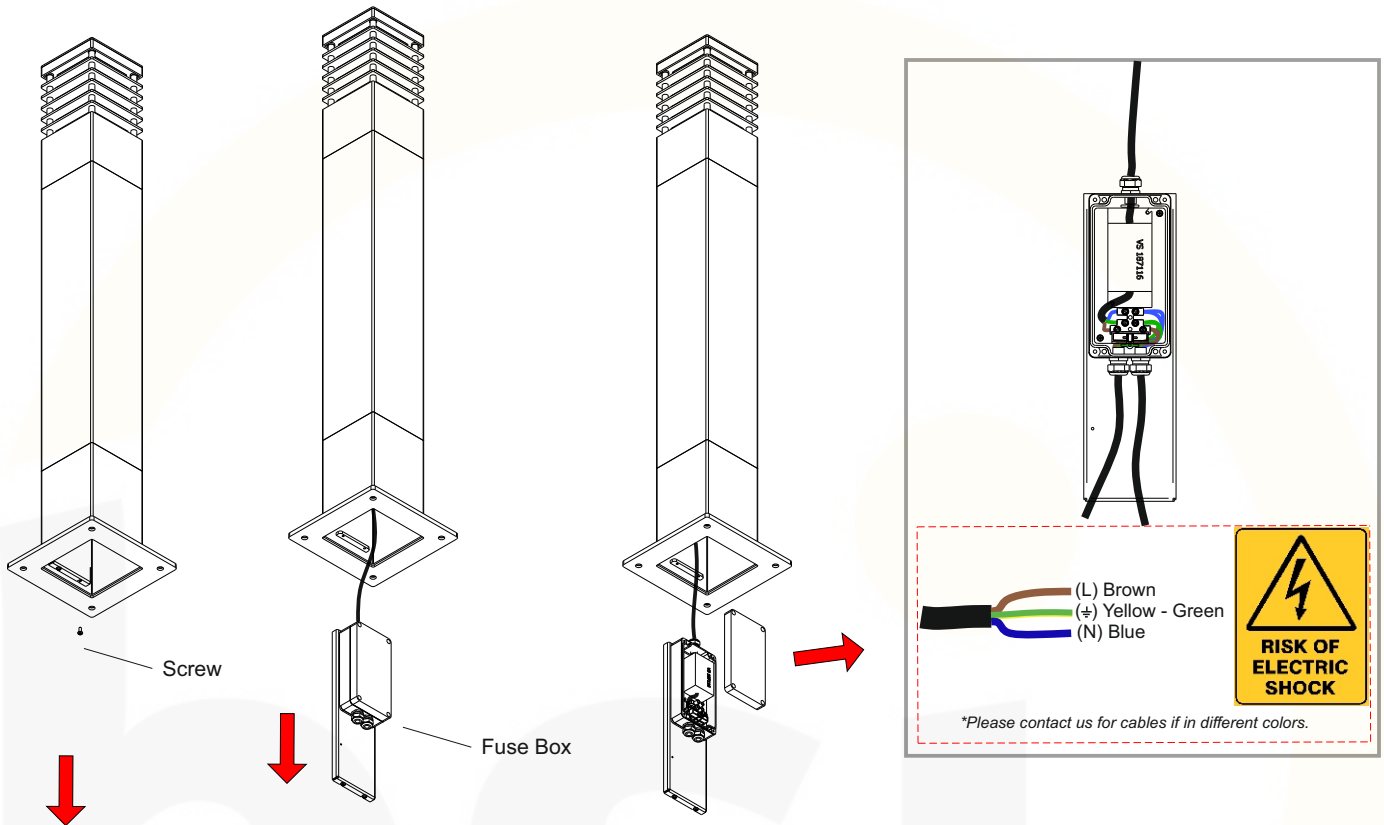
- 1) Gijons are mounted to anchor.
**Do not remove the screws on the anchorage.*



- 2) - The prepared anchor is embedded in the concrete and leveled.
 - After the concrete is dried, the energy cabling is done.



- 3) - Unscrew the fuse base screws from the bottom of the product and take it out.
 - The cover of the fuse box is opened and the electrical connection is made and the cover is closed back.
 - Temporary screws on the anchor are removed and discarded not to use again.
 - The product is placed on the anchor and screwed into the anchor with new inox screws.



- 4) - Temporary screws on the anchor are removed and discarded not to use again.
 - The product is placed on the anchor and screwed into the anchor with new inox screws.

