

PRODUCT FEATURES:

Rectangular shape LED lighting element and bollard with innovative technology and modern design.

iMistral-T offers outstanding light efficiency and integrates itself through the design into historic and modern surroundings with asymmetrical optics.

The LED system offers durability and optimal lumen output.

BSISQ® LED Module integrated.

Designed to last in extremely harsh environments.

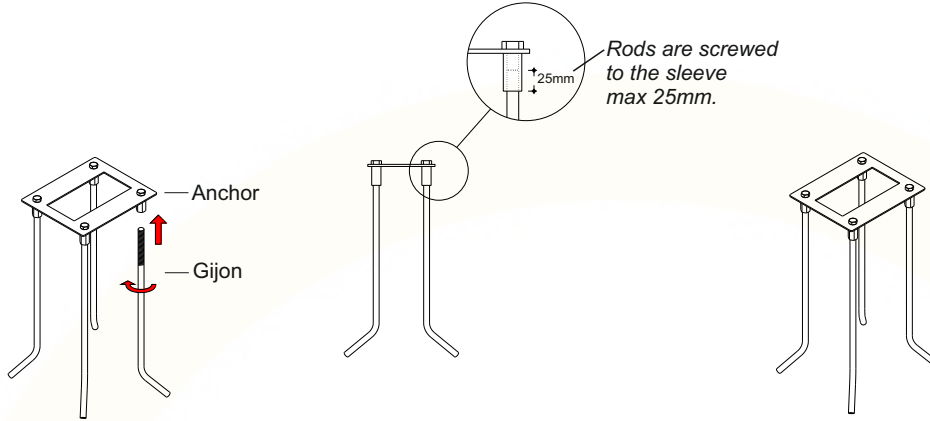
RECOMMENDATIONS FOR THE USER:

- 1) Before the installation, make sure that there is no voltage.
- 2) Do not touch the fitting when it is working on / switched on
- 3) Do not look at the fitting directly or from a short distance.
- 4) Disconnect / switch off the fitting before changing the lamps

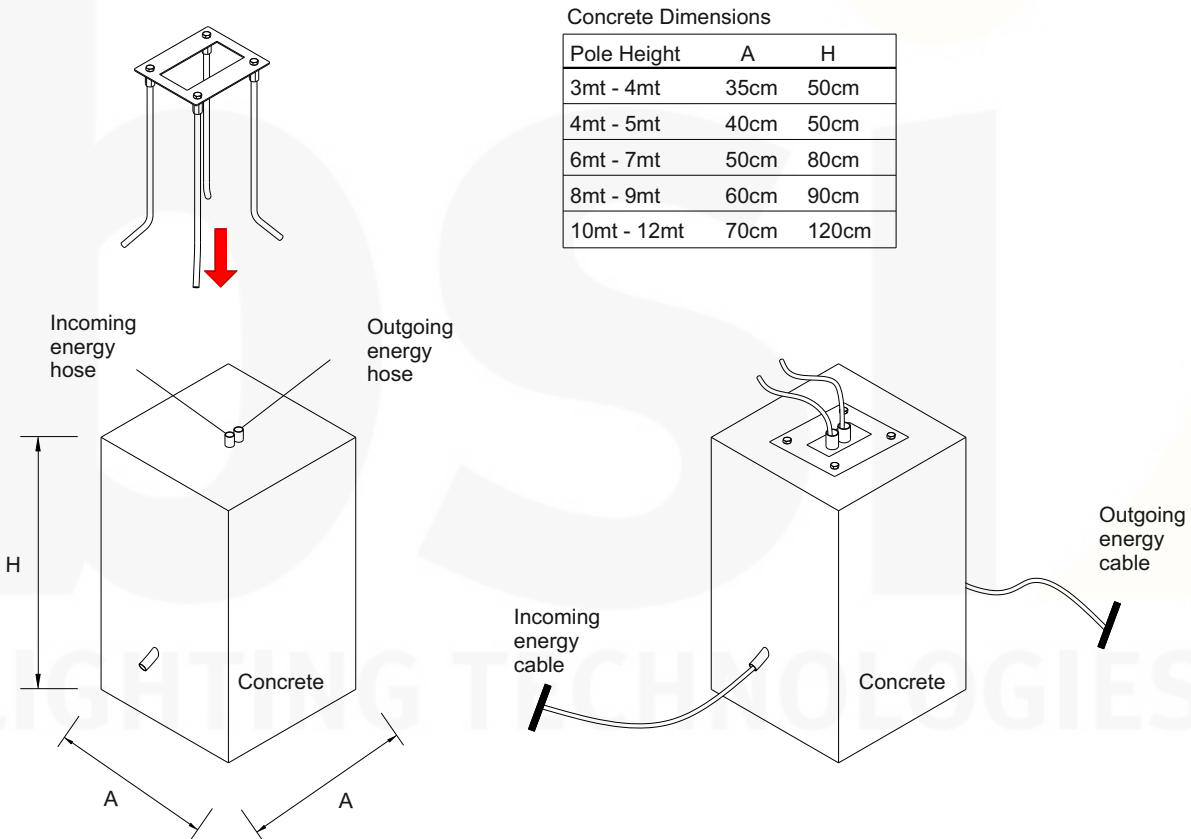
NOTES:

- Technical amendments are reserved.
- CE – Conformity mark
- The manufacturer is then discharged from liability when damage is caused by improper use or installation.
- Clean luminaire regularly with solvent-free cleansers from dirt and deposits. Do not use high pressure cleaners.

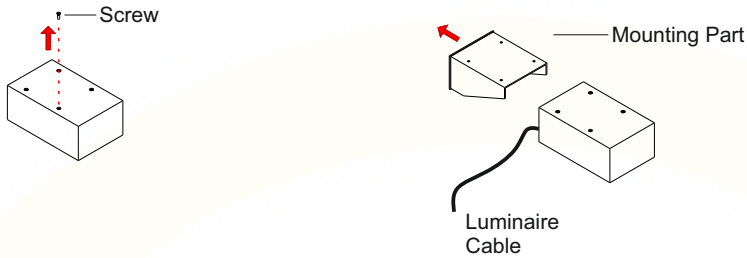
- 1) The anchor bolts are mounted.
**Do not remove the screws on the anchorage.*



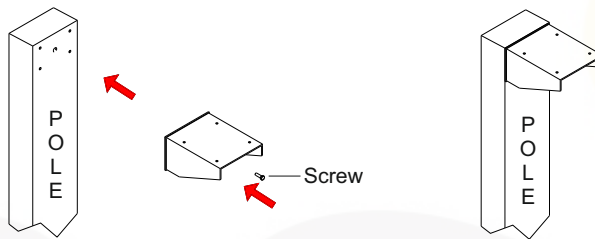
- 2) - The prepared anchor is embedded in the concrete and leveled.
 - After the concrete is dried, the energy cabling is done.



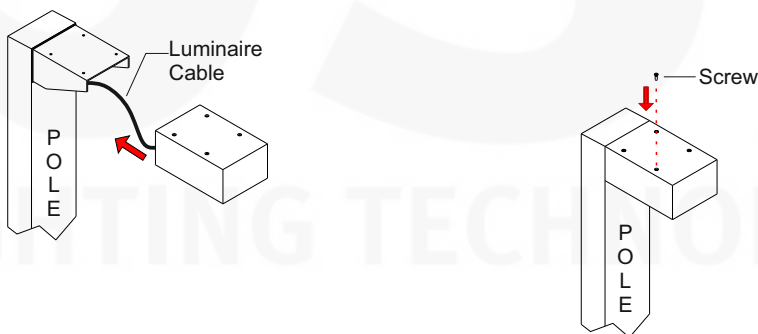
3) The mounting part on the back of the arm is removed.



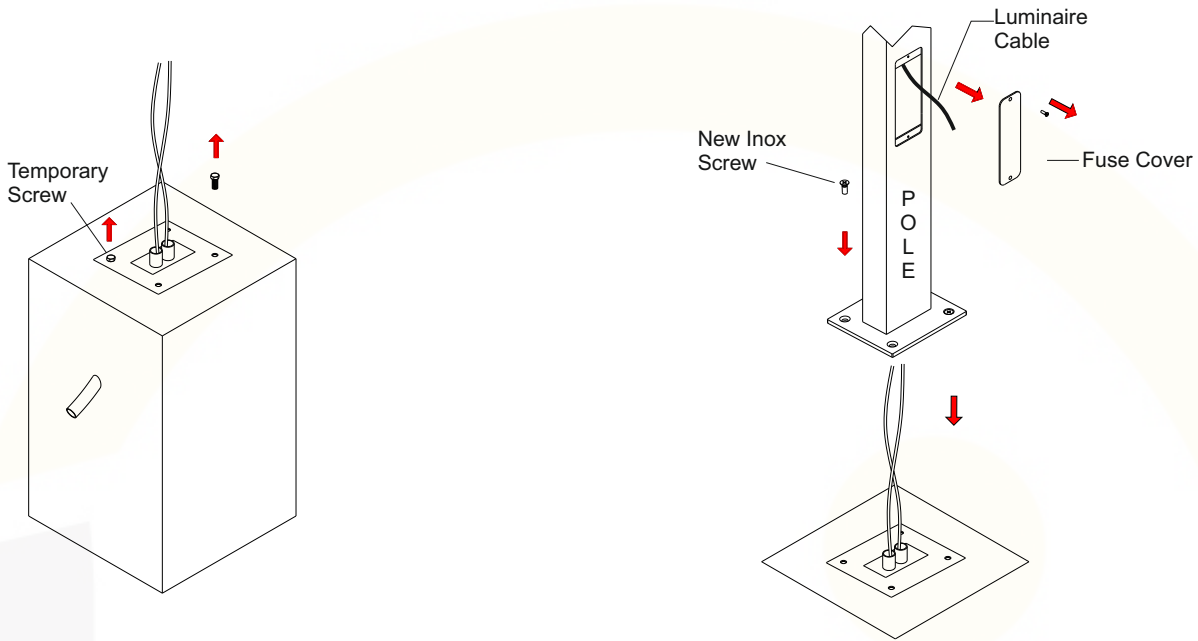
4) The mounting part is screwed onto the pole.



5) -The cable is passed through the cable hole and passed into the pole.
-The luminaire is fastened to the mounting part and the screwed from the top.



- 6) - Temporary screws on the anchor are removed and discarded not to use again.
- The fuse cover on the pole is removed.
 - The incoming power cable is passed through the pole and pulled out of the fuse hole.
 - The pole is placed on the anchor and screwed into the anchor with new inox screws.



- 7) Electrical connection is done and the fuse cover is screwed

