



PRODUCT FEATURES:

The aluminium low-bollard type luminaire is particularly appropriate for the illumination of extensive gardens, parks and commercial areas.

The product provides optimum visual comfort with a very focused and certain orientation of light.

Designed to last in extremely harsh environments.

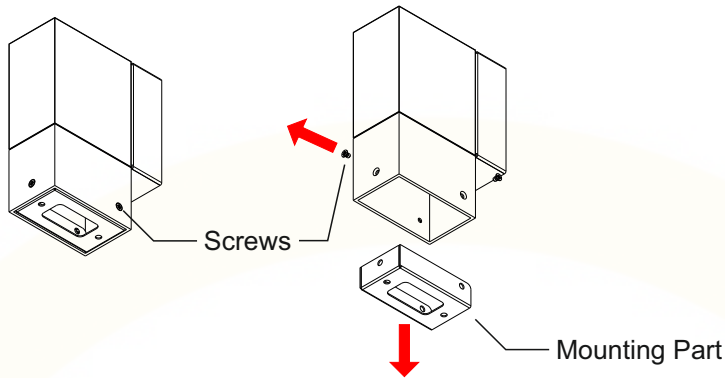
RECOMMENDATIONS FOR THE USER:

- 1) Before the installation, make sure that there is no voltage.
- 2) Do not touch the fitting when it is working on / switched on
- 3) Do not look at the fitting directly or from a short distance.
- 4) Disconnect / switch off the fitting before changing the lamps

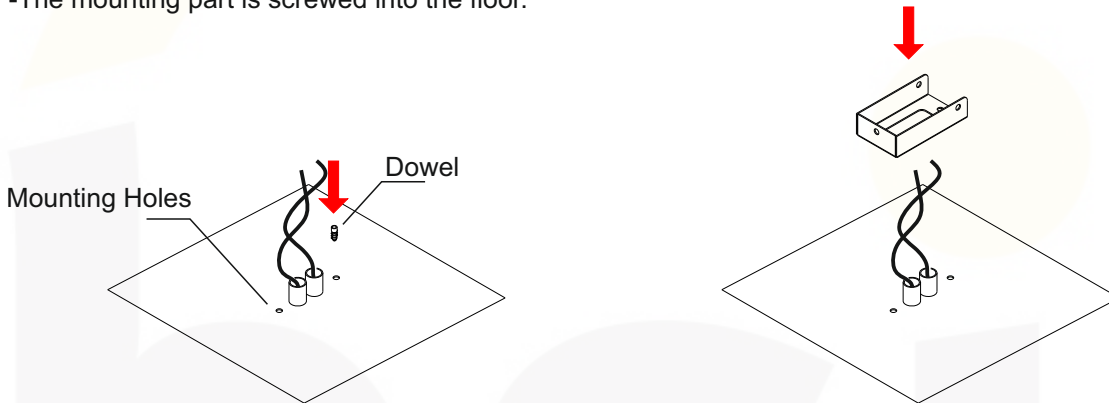
NOTES:

- Technical amendments are reserved.
- CE – Conformity mark
- The manufacturer is then discharged from liability when damage is caused by improper use or installation.
- Clean luminaire regularly with solvent-free cleansers from dirt and deposits. Do not use high pressure cleaners.

1) The mounting part is removed from the luminaire by unscrewing the screws under the luminaire.



2) -Mounting holes in the floor are drilled and the dowel are driven into the holes.
-The mounting part is screwed into the floor.



3) -Electrical connection is made.
-The luminaire is screwed into the mounting part.

