



PRODUCT FEATURES:

SQ Millenium LED Light Element is equipped with high tech LED module, ideal for lighting up modern, architectural squares and walkways.

Designed to last in extremely harsh environments.

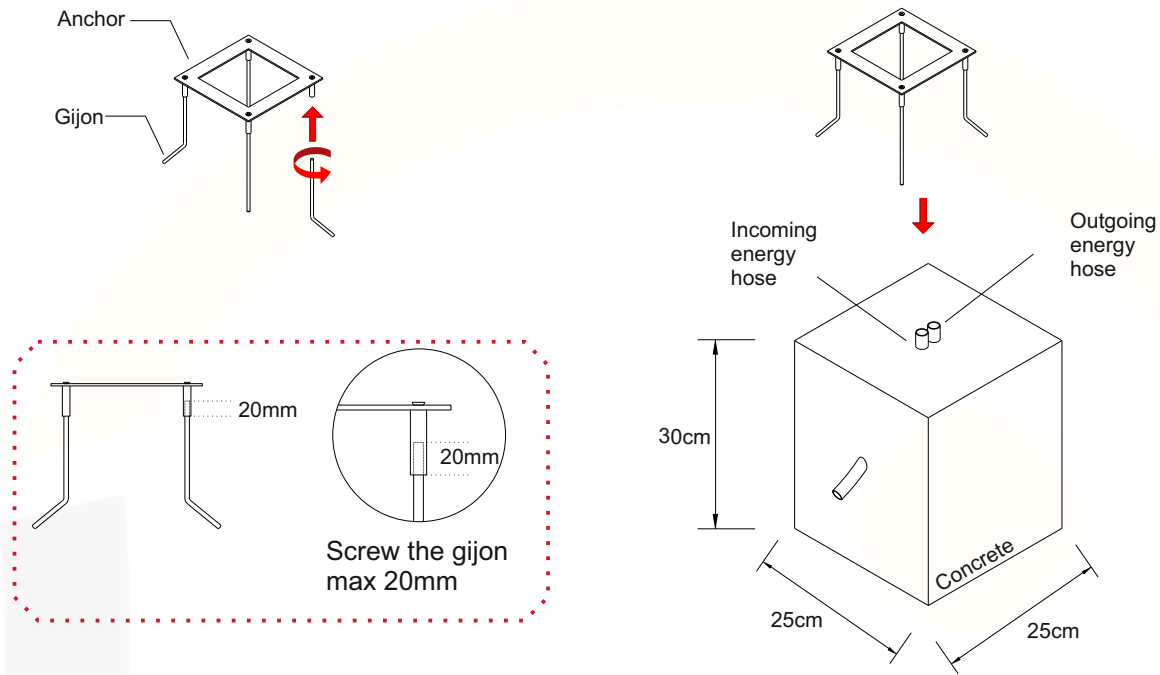
RECOMMENDATIONS FOR THE USER:

- 1) Before the installation, make sure that there is no voltage.
- 2) Do not touch the fitting when it is working on / switched on
- 3) Do not look at the fitting directly or from a short distance.
- 4) Disconnect / switch off the fitting before changing the lamps

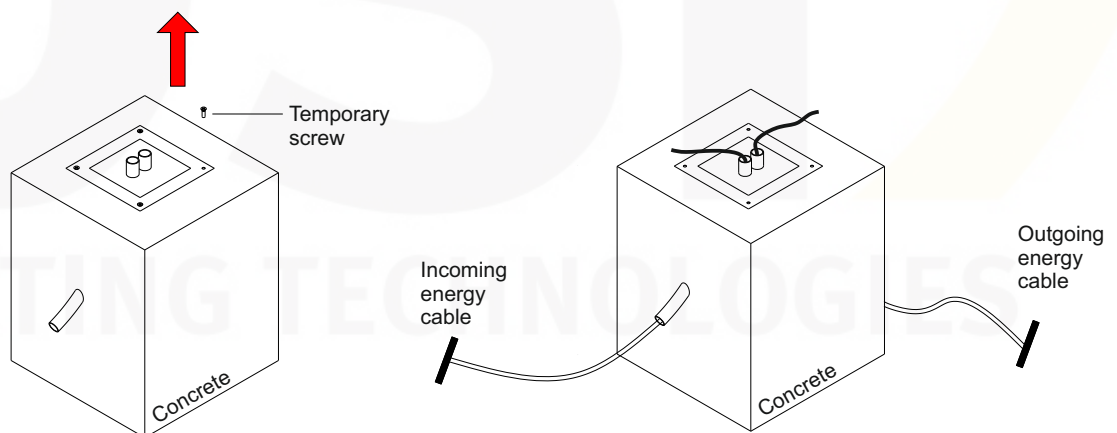
NOTES:

- Technical amendments are reserved.
- CE – Conformity mark
- The manufacturer is then discharged from liability when damage is caused by improper use or installation.
- Clean luminaire regularly with solvent-free cleansers from dirt and deposits. Do not use high pressure cleaners.

- 1) - The gijons are screwed into the anchor.
- The prepared anchorage is embedded in the concrete.



- 2) After the concrete is dried, the energy cable is done and the temporary screws are removed.



- 3) - Fuse box is removed from under the luminaire and electrical connection is made.
- The fuse box is screwed back into place and the luminaire is screwed onto the anchor.

