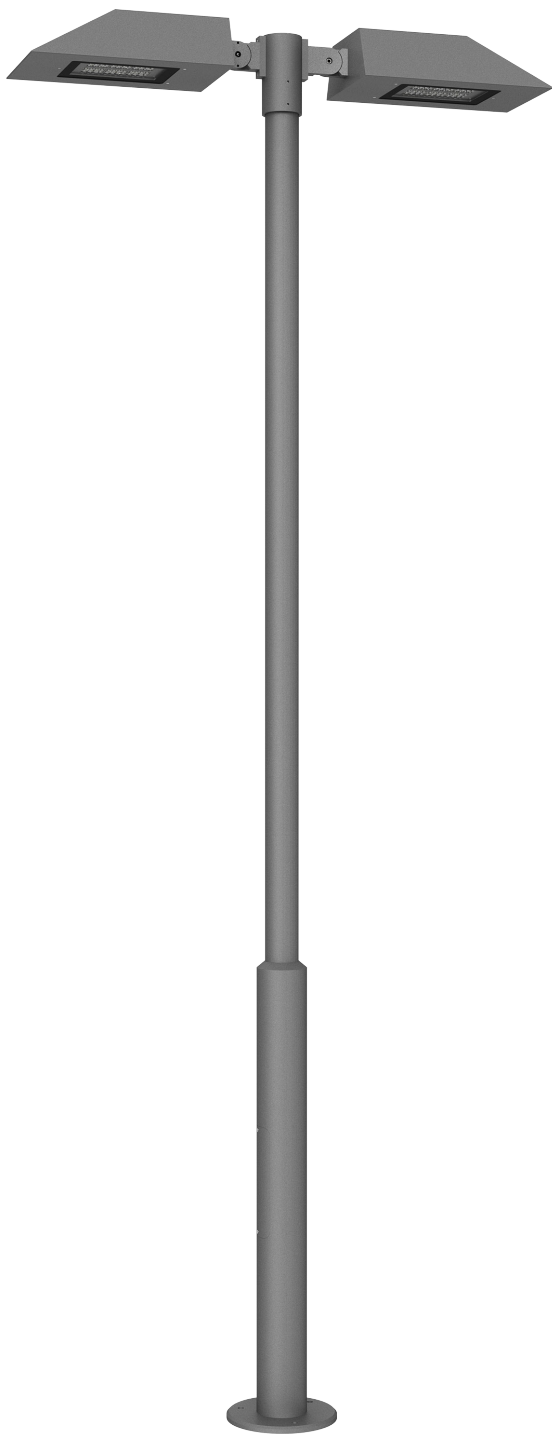


iRegor



iRegor is a high energy saving LED luminaire ideal for urban roads, residential streets, squares and pedestrian areas. Wall mounted option is available for surface washing light.

Designed to last in extremely harsh environments.

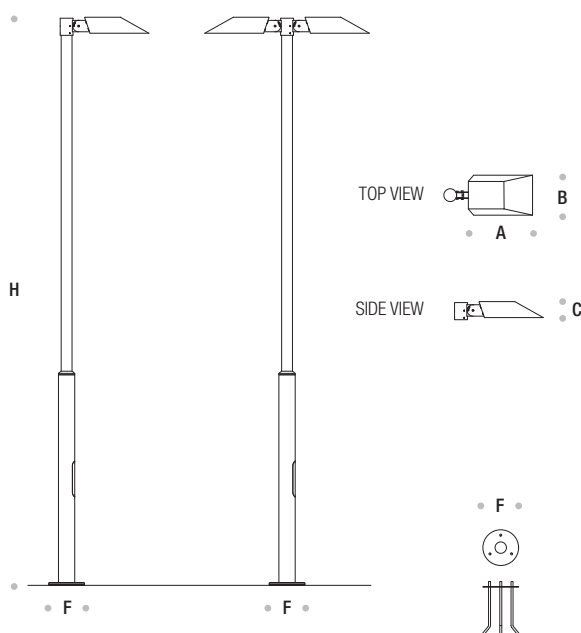
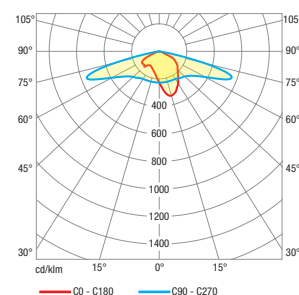




CODE	POWER CONSUMPTION	LUMEN OUTPUT (lm) 3000K / 4000K	COLOUR TEMPERATURE	A (mm)	B (mm)	C (mm)	H (mm)	F (mm)
UA1642	82W	11070 / 11644	3000K / 4000K	450	270	115	4000 / 5000	250
WA4148	82W	11070 / 11644	3000K / 4000K	450	270	115	-	-

*Poles to be ordered separately. See tables on pages 386-391

LED Type	High efficiency LEDs, available in 2700K, 3000K, 4000K, 5000K, 6500K CCT tolerance within a 3-step MacAdams ellipse and LM80 compliant.
Nominal Voltage	220V-240V AC, 50/60Hz
Color Rendering Index	CRI> 80 standard and CRI>90 on request.
Optics	Rotationally symmetrical 30° / 60° / 90° or asymmetrical M3 street optics.
Materials	Corrosion resistant double layer polyester powder coated paint finish die cast aluminium housing with stainless steel screws (A4 grade) and silicone gaskets. Power unit is built in. Available in anthracite gray as a standard finish or any desired RAL colour. Adjustable joint for beam direction 0° - 15°. BSISQ® LED Module.
Optional Coating	Marine grade.
Diffuser	Thermal-shock resistant tempered glass.
LED Specification	L90B50 > 100000 hours life time.
Energy Efficiency Class (EEC)	A++
Operating Temperature	-40°C / +55°C
Power Factor	>0.95
Control Systems	DALI Interface.
Protection Class	IP66
Impact Resistance	IK08
Insulation Class	Class I
Conformity	Complies with European Standards EN 60598 and CE certified.



iRegor Wall WA4148

